

EN



 | [adeptmedical.com](https://adeptmedical.com)

ADEPT

Medical  
Supporting you

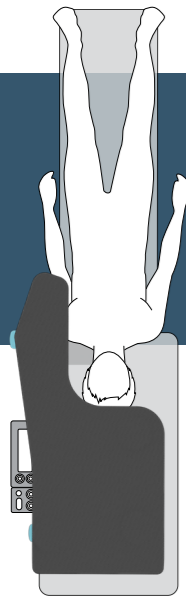


# ANTEGRADE IR PLATFORM

An ideal work surface for antegrade  
femoral approach.

## ANTEGRADE IR PLATFORM

An ideal work surface for antegrade femoral approach.



The Antegrade IR Platform provides a convenient worksurface to facilitate procedural workflow and enhance the operational environment during antegrade femoral access procedures.



It is the ultimate solution for catheter/guide wire manipulation, presenting a large surface area conveniently aligned with the femoral artery site for supporting equipment during a procedure.

The narrow portion extends alongside the patient towards the femoral artery, offering a steady platform for the clinician to rest their wrists on during wire manipulation. The legs can be adjusted to the appropriate height and locked for the duration of the procedure, ensuring a stable work surface.



Crafted from carbon fibre composite and high-performance engineering plastics, the Antegrade IR Platform is light-weight yet strong and has a high resistance to chemical attack.

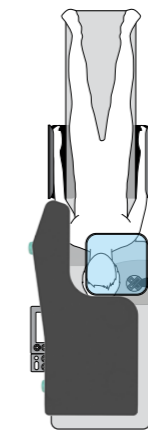


Adducted Arm Scoop\*  
Compatible

### Using the Drape Support\* with the Antegrade IR Platform

Ideally used in conjunction with the Adept Medical Drape Support, this combination of products offers optimal patient comfort through creating a spacious environment beneath the drape.

Placing the Drape Support within the cutaway portion of the platform surrounding the patients head will offer improved patient comfort and provide a surface area to prevent the drape from sagging.



*\*Adducted Arm Scoop (AM1100) and Drape Support (AM1000) are not included with the Antegrade IR Platform.*



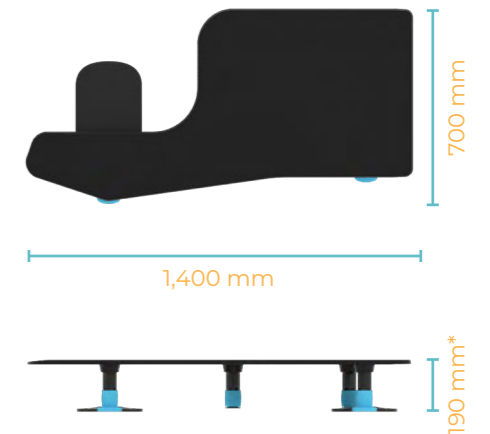
**Fast Set-Up and Positioning**

Legs lock to base

### Key Features and Benefits

- Strong stable work-surface
- Alignment with Femoral site
- Quick set-up and removal
- Easy positioning
- Radiolucent
- Easy to clean

### Specifications



\*Height adjustable from 190 - 400 mm (legs fully extended + Leg Extension)

 Antegrade IR Platform  
7.0 kg

Contact us for further details  
adeptmedical@adept.co.nz

## Applications

### Interventional Radiology

- Vascular Procedures via the Antegrade Femoral Approach

### Peripheral Intervention – Peripheral Artery Disease

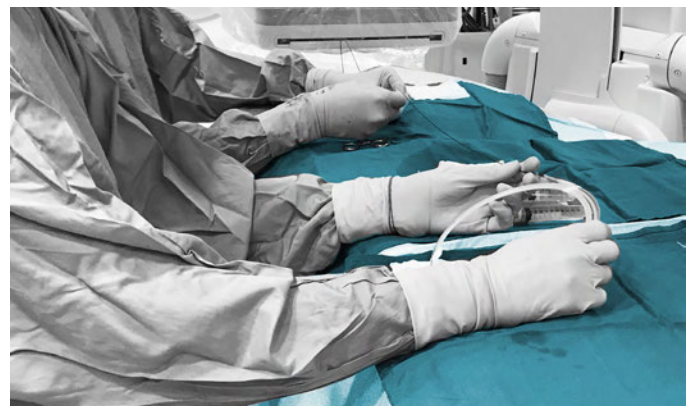
## Fields you can use this device



Interventional Radiology



Peripheral Intervention



### Manufacturer

Adept Medical Ltd  
2-6 McDonald St,  
Morningside  
Auckland 1025, New Zealand

