

# LOWER LEG SUPPORT

AM3000

## INSTRUCTIONS FOR USE

Issue Date: 05/2026

Revision: F



**EC Representative**  
Qualrep Services B.V.  
Utrechtseweg 310 Bldg B42  
6812 AR Arnhem  
Netherlands



**Manufacturer**  
Adept Medical Ltd  
2-6 McDonald St,  
Morningside  
Auckland 1025, New Zealand



[adeptmedical.com](https://adeptmedical.com) |

ADEPT

Medical  
Supporting you



**Product Registration**



Register today to ensure your product is covered by warranty, and for easy access to product services and general support.

[www.adeptmedical.com/contact/product-registration](http://www.adeptmedical.com/contact/product-registration)



**Warranty**



**Service**

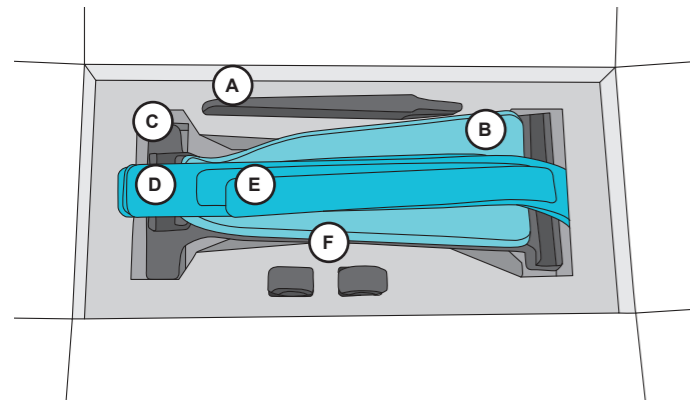


**Support**

**Contents**

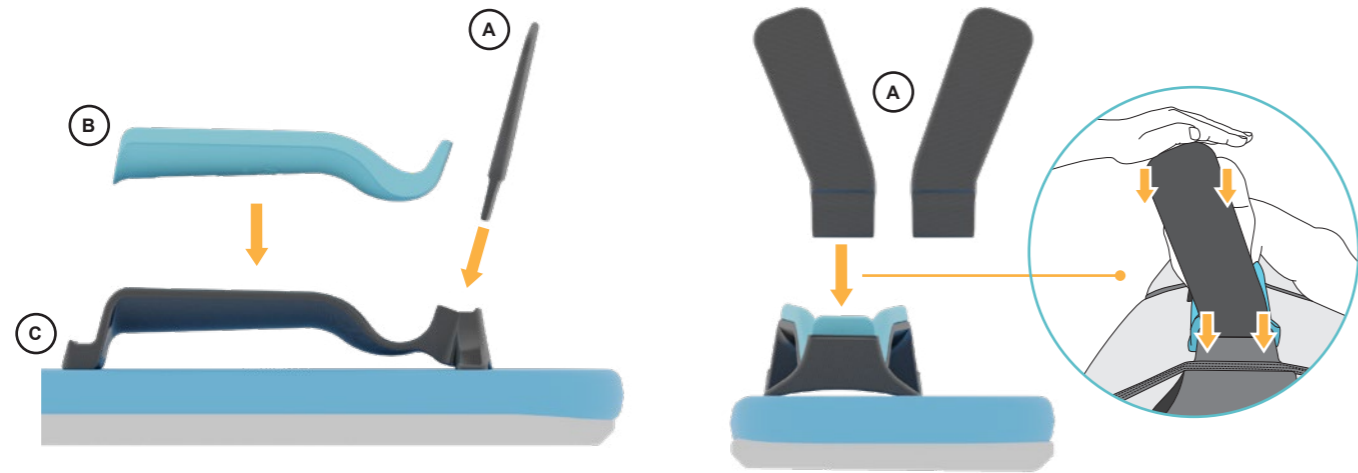
Unboxing	<b>4</b>		
Assembly	<b>4</b>		
Setup	<b>4</b>		
Spare Parts	<b>7</b>		
Image Table Verification	<b>7</b>		
Essential Information	<b>8</b>		
<hr/>			
ES   Spanish	<b>10</b>	NO   Norwegian	<b>32</b>
FR   French	<b>12</b>	PL   Polish	<b>34</b>
IT   Italian	<b>14</b>	PT   Portuguese	<b>36</b>
DE   German	<b>16</b>	RO   Romanian	<b>38</b>
NL   Dutch	<b>18</b>	RU   Russian	<b>40</b>
HR   Croatian	<b>20</b>	SR   Serbian	<b>42</b>
CS   Czech	<b>22</b>	SK   Slovak	<b>44</b>
DA   Danish	<b>24</b>	SL   Slovenian	<b>46</b>
FI   Finnish	<b>26</b>	SV   Swedish	<b>48</b>
EL   Greek	<b>28</b>	TR   Turkish	<b>50</b>
HU   Hungarian	<b>30</b>		

## Unboxing

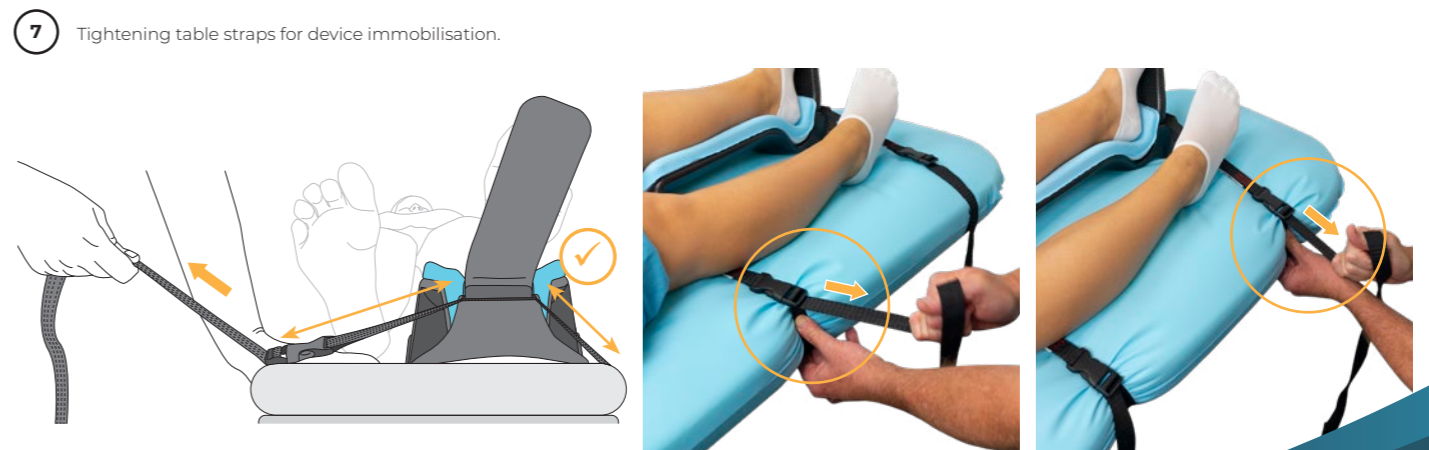
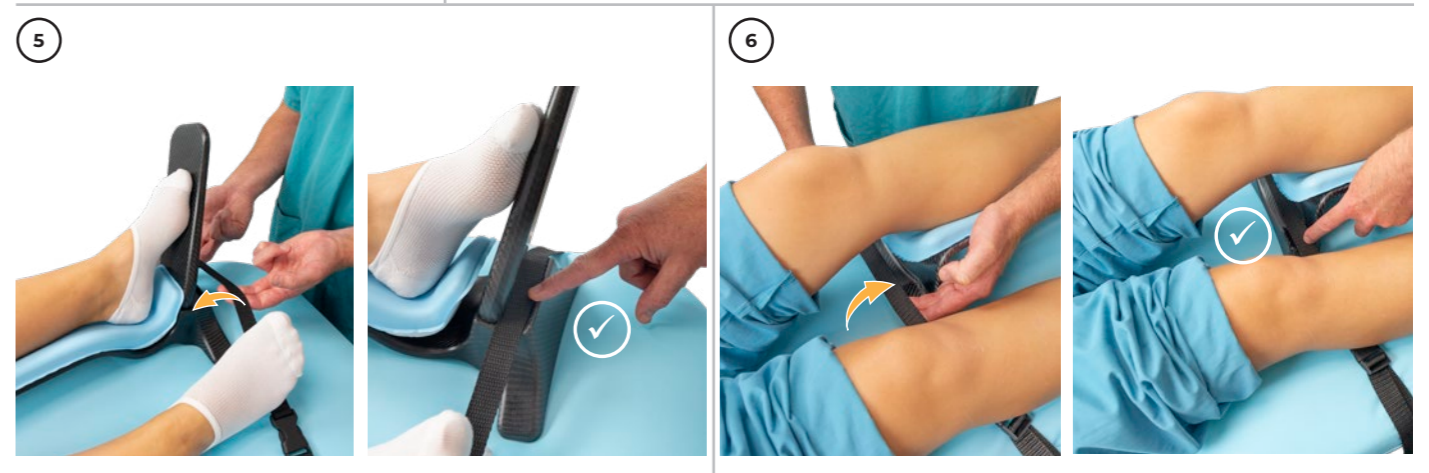
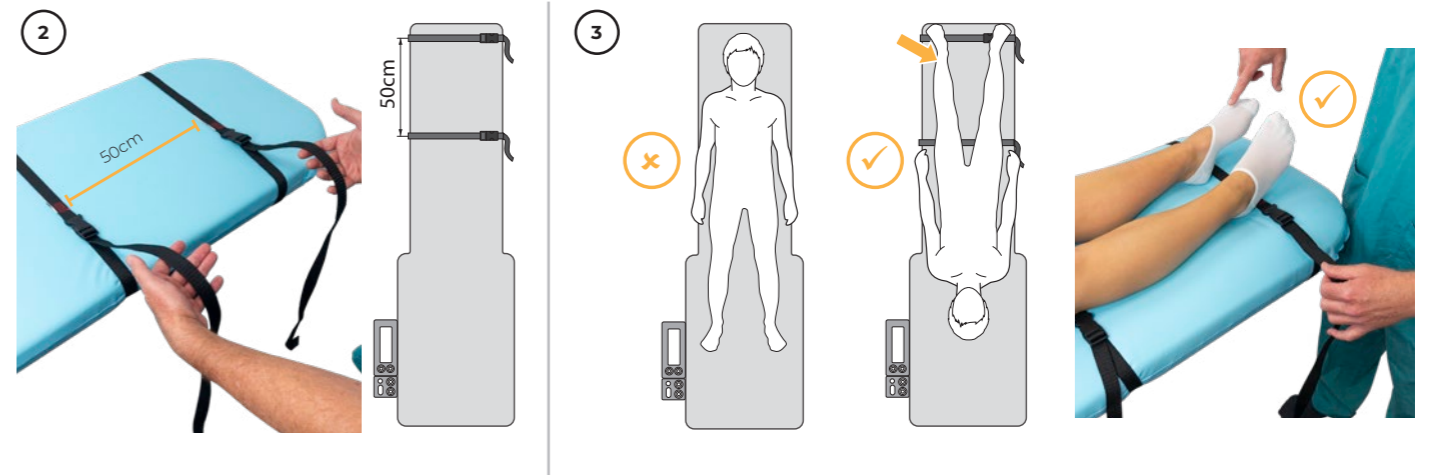
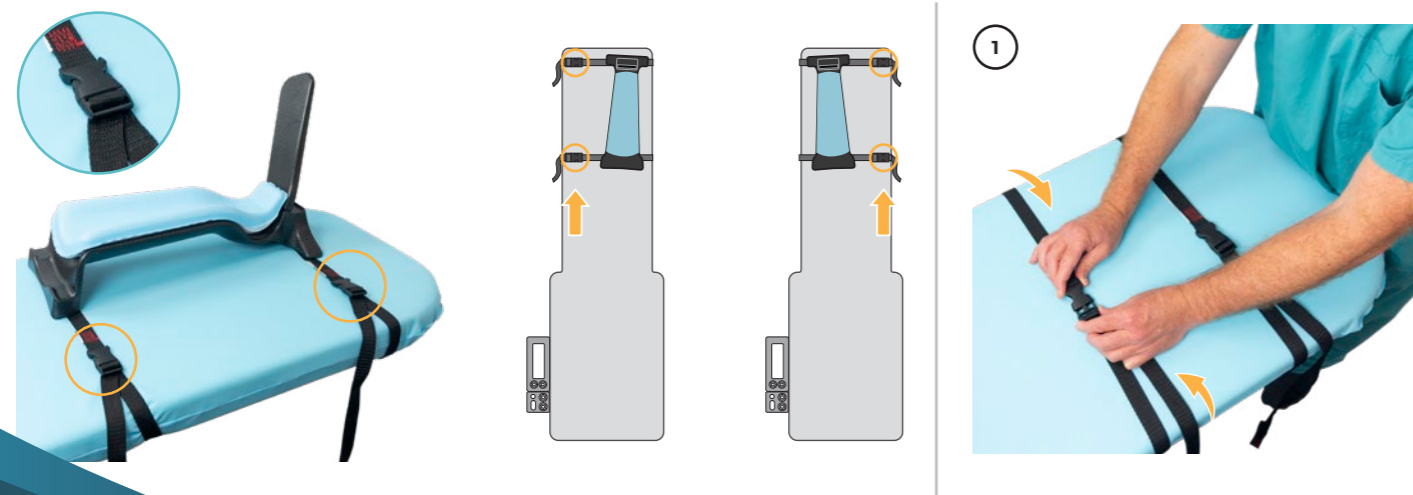


	(A)	Foot Plate x 1
	(B)	Leg Pad x 1
	(C)	Lower Leg Support x 1
	(D)	Leg Strap x 2
	(E)	Foot Strap x 1
	(F)	Table Strap x 2

## Assembly



## Setup





**Foot Plate Removal**









**Spare Parts**

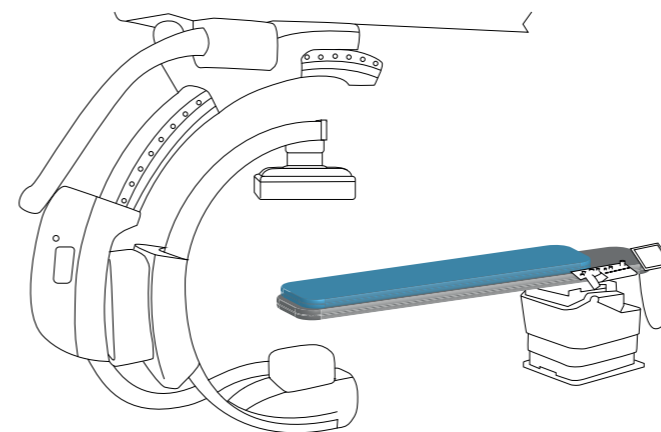
**Product Code**

	Lower Leg Support	AM3000
---	-------------------	--------

**Component Codes**

	(A)	Foot Plate	M6511
	(B)	Leg Pad	M6512
	(C)	Support Base	M6516
	(D)	Leg Strap	M6513
	(E)	Foot Strap	M6514
	(F)	Table Strap	M6515

**Image Table Verification**



The product has been risk assessed to operate within the below specifications

**Table Angulation:** +/- 15° lateral & longitudinal  
**Table Surface:** Flat

## Essential Information

### Information

#### Intended Purpose

To support and immobilise a supine patient's leg during endovascular surgery.

#### Intended User/Training Requirement

Intended to be used by trained medical professionals.

#### Patient Target Group

Adult male or female patient requiring diagnostic imaging and image guided therapy.

#### Contraindications

- Not to be used with patients over 135 kg.
- Not for paediatric use.

#### Warnings and Cautions

- Ensure IFU is read prior to use.
- Ensure Preparatory Cleaning is conducted.
- Ensure Preparatory Product Check is conducted.
- Do not over tighten Leg & Foot Straps.
- Do not use with patients over 135 kg.

#### Incident Reporting Guidelines

For product complaints and incidents, please complete form on: [www.adeptmedical.com/contact/service-and-repairs](http://www.adeptmedical.com/contact/service-and-repairs)

### Initial Checks & Cleaning

#### Cleaning

Refer to Disinfection Instructions.

#### Product Checks

- No break in Carbon Fibre surface.
- No visible damage or sharp edges, e.g. cracks.
- Straps: ensure there is no damage, e.g. tearing.
- Table Strap: ensure buckle can fully engage and disengage smoothly.
- Table Strap: ensure Table Strap is secure and correctly placed (page 5).
- Foot/Leg Strap: ensure straps are secure and correctly placed (page 6).
- Foot Plate: Ensure the Foot Plate is correctly placed in the Foot Plate Slot and fully engaged.

### Disinfection

#### Warnings

- Insufficient cleaning may compromise disinfection process and lead to transmission of pathogens.
- Do not use any disinfectant products or abrasive/corrosive agents which are not on the approved cleaners list.
- Always read manufacturer's instructions and consult the manufacturers MSDS for cleaning and disinfectant products.
- Do not use any cleaning procedure which exceeds 65°C/149°F.

#### Limitations on Processing

Discontinue use if:

- Any cracks or breakages are present.
- Any exposed carbon fibre is visible.
- The Foot Plate does not securely fit into the Lower Leg Support Base.
- Any tearing is observed on the Leg Pad or any of the Straps.
- The hook & loop on the Leg/Foot Strap does not securely engage.
- The buckle on the Table Strap does not securely engage.

### Disinfection Instructions

#### Initial treatment at the point of use

It is important to clean the product once it is removed from the packaging and after each procedure. Ensure all areas including joints, clips, sockets, brackets and levers are thoroughly cleaned after use to remove all contaminant build-up that may be present following a procedure.

#### Preparation before cleaning

- Lower Leg Support Base: Remove the base from the mattress.
- Foot Plate: Detach the Foot Plate from the Base.
- Leg Pad: Remove the padding from the Base.
- Leg Strap: Unfasten the strap i.e. ensure the "hook" and "loop" sides are not connected.
- Foot Strap: Unfasten the strap i.e. ensure the "hook" and "loop" sides are not connected.
- Table Strap: Unfasten the buckle on the strap.

[www.adeptmedical.com/imaging-table-accessories/lower-leg-support/training?group=cleaning-instructions](http://www.adeptmedical.com/imaging-table-accessories/lower-leg-support/training?group=cleaning-instructions)

#### Cleaning: Manual

Lower Leg Support Base/Foot Plate

- If visibly soiled rinse with water.
- These components can be fully submerged in water.
- A soft bristled brush can be used if required.
- Ensure soiling is fully removed.
- Ensure all components are completely dry prior to disinfection.

Leg Pad/Leg Strap/Foot Strap/Table Strap

- If visibly soiled rinse with water.
- These components should not be fully immersed in water.
- A soft bristle brush can be used if required.
- Ensure soiling is fully removed.
- Ensure all components are fully dry prior to disinfection.

#### Disinfection

Refer to the Approved Cleaners List for selection of an appropriate disinfecting agent.

Lower Leg Support:

- With a cloth dampened by an approved disinfectant, wipe all surfaces, including inside the Foot Plate slot.

Foot Plate/Leg Pad/Leg Strap/Foot Strap and Table Strap:

- With a cloth dampened by an approved disinfectant, wipe all surfaces.

### Approved Cleaners List

#### Approved Disinfectant by Brands

##### Liquids:

ORION Laboratories - 70% Isopropyl Alcohol  
Jaychem Industries - 2% Chlorhexidine / 70% Alcohol  
Betadine - Povidone Iodine (7.5%)  
BODE Chemie GmbH - Kohrsolin FF  
STERIS - Coverage Spray TB  
CaviCide - Metrex Research

##### Dissolvable:

Du Pont - Rely+On Virkon Tablets

##### Surface Wipes:

PDI Sani-Cloth Bleach  
PDI Sani-Cloth AF3  
Reynard Health Supplies - Surface Disinfectant Wipes  
Metrex Research - CaviWipes  
Clinell Wipes - Universal (Green)  
Clorox Hydrogen Peroxide Wipes

#### Approved Active Disinfectant Ingredients

##### Acid Based:

≤10% Malic Acid CAS 6915-15-7  
≤6% Sulfamic acid CAS 5329-14-6

##### Alcohol Based:

≤5% 2-Butoxyethanol CAS 111-76-2  
≤10% Butyldiglycol CAS 112-34-5  
≤70% Isopropyl Alcohol (Propan-2-ol) CAS 67-63-0  
≤10% Tridecanol CAS 69011-36-5  
<10% Alcohols, C12-14, ethoxylated CAS 68439-50-9  
≤70% Denatured Ethanol CAS 64-17-5

##### Sulphate Based:

≤0.1% PHMB CAS 27083-27-8  
≤55% Potassium Peroxymonosulfate CAS 70693-62-8  
≤3% Potassium Persulfate CAS 7727-21-1

##### Ammonium and Chloride Based:

≤5% Benzalkonium Chloride CAS 68424-85-1  
≤0.28% Benzethonium Chloride CAS 121-54-0  
≤10% Benzyl-C23-18-Alkyl-dimethyl Ammonium Chloride CAS 8001-54-5  
≤2% Chlorhexidine CAS 55-56-1  
≤10% Didecyl Dimethyl Ammonium chloride CAS 7173-51-5  
≤0.5% Quaternary Ammonium Compounds CAS 68956-79-6  
<5% Benzyl-C 12-18 alkyldimethylammonium chlorides CAS 63891-01-5

##### Others:

≤10% Glutaral CAS 111-30-8  
≤0.63% Sodium Hypochlorite CAS 7681-52-9  
≤7.5% Povidone Iodine CAS 25655-41-8  
0.5% Disodium Cocoampho Dipropionate CAS68604-71-7  
≤1.4% Hydrogen Peroxide CAS 7722-84-1

Access the latest Approved Cleaners list via [www.adeptmedical.com/resources](http://www.adeptmedical.com/resources)

### Drying

All components should be dried thoroughly before use.

### Maintenance, Inspection and Testing

Lower Leg Support/Foot Plate:

- No exposed Carbon Fibre is visible.
- No visible damage or sharp edges, e.g. cracks.
- Ensure that the Foot Plate securely fits in to Lower Leg Support.

Leg Pad:

- No visible damage or tearing.

Foot Strap/Leg Strap:

- No visible damage or tearing.
- The hook & loop should attach securely.

Table Strap:

- No visible damage or tearing.
- The buckle can fully engage and disengage smoothly.

### Packaging

It is not required to package the device following disinfection.

### Sterilisation

This device should not be subjected to sterilisation processes.

### Storage

Once disinfection is complete and all components are dry the device should be stored in a dry environment.

### Disposal

Used product is a biohazard, decontaminate according to instruction provided in the Disinfection Instructions and reach out to the manufacturer on [adeptmedical@adept.co.nz](mailto:adeptmedical@adept.co.nz) for material specification, if required. Dispose according to internal clinic policy taking into consideration local regulations.

### Serious Incidents

Any serious incident which occurs in relation to the device should be reported immediately to:

- The Competent Authority of the applicable Member State.
- The Manufacturer using the Serious Incident Reporting Form found on the Adept Medical Website: [www.adeptmedical.com/contact/serious-incident-reporting-form](http://www.adeptmedical.com/contact/serious-incident-reporting-form)

The instructions provided above have been validated by the manufacturer of the medical device as being capable of preparing a medical device for reuse. It remains the responsibility of the processor to ensure that the processing, as actually performed using equipment, materials and personnel in the processing facility, achieves the desired result. This requires verification and/or validation and routine monitoring of the process.

Visit the Adept Medical Website for detailed visual instructions related to this device. [www.adeptmedical.com](http://www.adeptmedical.com)

	Página
<b>Instrucciones de uso</b>	<b>1</b>
<b>Registración del producto</b>	<b>2</b>
<b>Contenido</b>	<b>3</b>
<b>Desembalaje</b>	<b>4</b>
<b>Montaje</b>	<b>4</b>
<b>Instalación</b>	<b>4</b>
Apriete de las correas de pierna para la inmovilización del dispositivo.	<b>5</b>
Retirada de la Placa de pie (Foot Plate)	<b>7</b>
<b>Piezas</b>	<b>7</b>
Código de producto	<b>7</b>
Códigos de componentes	<b>7</b>
<b>Verificación de la tabla de imágenes</b>	<b>7</b>
Se ha evaluado el riesgo del producto para operar dentro de las siguientes especificaciones	<b>7</b>
Angulación de la mesa: +/- 15º lateral y longitudinal	<b>7</b>
Superficie de la mesa: Plana	<b>7</b>
<b>Información básica</b>	<b>8</b>

<p><b>Información</b></p>
<p><b>Uso indicado</b></p> <p>Apoyo e inmovilización de la pierna de un paciente en posición supina durante una cirugía endovascular.</p>
<p><b>Usuario previsto/Requisitos de capacitación</b></p> <p>Este equipo está destinado a profesionales médicos capacitados.</p>
<p><b>Grupo de pacientes a los que va destinado</b></p> <p>Hombres y mujeres adultos en los que sea necesario obtener imágenes de diagnóstico y un tratamiento guiado por imágenes.</p>
<p><b>Contraindicaciones</b></p> <ul style="list-style-type: none"><li>No debe utilizarse con pacientes con un peso superior a 135 kg.</li> <li>No indicado para uso pediátrico.</li></ul>

<p><b>Advertencias y precauciones</b></p> <ul style="list-style-type: none"><li>Asegúrese de leer las instrucciones de uso antes del uso.</li> <li>Asegúrese de realizar la limpieza preparatoria.</li> <li>Asegúrese de realizar la comprobación preoperatoria del producto.</li> <li>No apriete demasiado las correas de las piernas y los pies (Leg &amp; Foot Straps).</li> <li>No utilice el equipo con pacientes de un peso superior a 135 kg.</li></ul>
--

<p><b>Directrices para la notificación de incidentes</b></p> <p>Para cualquier reclamación o notificación de incidentes, rellene el formulario en <a href="http://www.adeptmedical.com/contact/service-and-repairs">www.adeptmedical.com/contact/service-and-repairs</a></p>
--

<p><b>Comprobaciones iniciales y limpieza</b></p>
<p><b>Limpieza</b></p> <p>Consulte las instrucciones de desinfección.</p>
<p><b>Comprobaciones del producto</b></p> <ul style="list-style-type: none"><li>La superficie de fibra de carbono no debe presentar roturas.</li> <li>El producto no debe presentar daños visibles ni bordes afilados, p. ej., grietas.</li> <li>Correas (Straps): Asegúrese de que no estén dañadas, p. ej., desgarros.</li> <li>Correa de mesa (Table Strap): Asegúrese de que la hebilla se puede acoplar y soltar completamente de forma suave.</li> <li>Correa de mesa (Table Strap): Asegúrese de que la Correa de mesa (Table Strap) está bien colocada y sujeta (página 5).</li> <li>Correa de pie/pierna (Foot/Leg Strap): Asegúrese de que las correas están bien colocadas y sujetas (página 6).</li> <li>Placa de pie (Foot Plate): Asegúrese de que la Placa de pie (Foot Plate) está colocada correctamente en la ranura de la placa de pie y está bien acoplada.</li></ul>

<p><b>Desinfección</b></p>
<p><b>Advertencias</b></p> <ul style="list-style-type: none"><li>Una limpieza insuficiente puede comprometer el proceso de desinfección y dar lugar a la transmisión de patógenos.</li> <li>No utilice productos desinfectantes ni agentes abrasivos/corrosivos que no estén en la lista de productos de limpieza aprobados.</li> <li>Lea siempre las instrucciones del fabricante y consulte las fichas de datos seguridad del fabricante (MSDS) para obtener información sobre los productos de limpieza y desinfectantes.</li> <li>No utilice ningún procedimiento de limpieza que supere los 65<span> </span>°C/149<span> </span>°F.</li></ul>

<p><b>Limitaciones en el procesamiento</b></p> <p>Deje de utilizar el producto si:</p> <ul style="list-style-type: none"><li>Hay grietas o roturas.</li> <li>El producto tiene fibras de carbono expuestas.</li> <li>La Placa de pie (Foot Plate) no encaja de forma segura en la Base del Lower Leg Support).</li> <li>Se obsreven desgarros en la Almohadilla de pierna (Leg Pad) o en las correas.</li> <li>El cierre de velcro de la Correa de pierna/pie (Leg/Foot Strap) no se engancha de forma segura.</li> <li>La hebilla de la Correa de mesa (Table Strap) no se acopla de forma segura.</li></ul>
---

<p><b>Instrucciones de desinfección</b></p>
---

<p><b>Tratamiento inicial en el punto de uso</b></p> <p>Es importante limpiar el producto una vez retirado del embalaje y después de cada procedimiento. Asegúrese de que todas las áreas, como juntas, clips, zócalos, soportes y palancas se limpian a fondo después de su uso para eliminar toda acumulación de contaminantes que pueda haber después de un procedimiento.</p>
---

<p><b>Preparación antes de la limpieza</b></p> <ul style="list-style-type: none"><li>Base del Lower Leg Support: Retire la base del colchón.</li> <li>Placa de pie (Foot Plate): Suelte la Placa de pie (Foot Plate) de la base.</li> <li>Almohadilla de pierna (Leg Pad): Saque la almohadilla de la base.</li> <li>Correa de pierna (Leg Strap): Suelte la correa, asegurándose de que las dos caras del cierre de velcro no estén conectadas.</li> <li>Correa de pie (Foot Strap): Suelte la correa, asegurándose de que las dos caras del cierre de velcro no estén conectadas.</li> <li>Correa de mesa (Table Strap): Desabroche la hebilla en la correa.</li></ul> <p><a href="http://www.adeptmedical.com/imaging-table-accessories/lower-leg-support/training?group=cleaning-instructions">www.adeptmedical.com/imaging-table-accessories/lower-leg-support/training?group=cleaning-instructions</a></p>
--

<p><b>Limpieza: Manual</b></p> <p>Base/Placa de pie (Foot Plate) del Lower Leg Support</p> <ul style="list-style-type: none"><li>Si está visiblemente sucio, enjuáguelo con agua.</li> <li>Estos componentes pueden sumergirse completamente en agua.</li> <li>Puede utilizar un cepillo de cerdas suaves.</li> <li>Asegúrese de que la suciedad se haya retirado por completo.</li> <li>Asegúrese de que todos los componentes estén totalmente secos antes de desinfectarlos.</li></ul> <p>Almohadilla de pierna (Leg Pad)/Almohadilla de pie (Foot Strap)/ Correa de pie (Table Strap)</p> <ul style="list-style-type: none"><li>Si está visiblemente sucio, enjuáguelo con agua.</li> <li>Estos componentes no deben sumergirse completamente en agua.</li> <li>Puede utilizar un cepillo de cerdas suaves si es necesario.</li> <li>Asegúrese de que la suciedad se haya retirado por completo.</li> <li>Asegúrese de que todos los componentes estén totalmente secos antes de desinfectarlos.</li></ul>
--

<p><b>Desinfección</b></p> <p>Consulte la lista de limpiadores aprobados para seleccionar un agente desinfectante adecuado.</p>
---

<p>Lower Leg Support:</p> <ul style="list-style-type: none"><li>Con un paño humedecido con un desinfectante aprobado, limpie todas las superficies, incluido el interior de la ranura de la Placa de pie (Foot Plate).</li></ul>
--

<p>Placa de pie (Foot Plate)/Almohadilla de pierna (Leg Pad)/Correa de pierna (Leg Strap)/Correa de pie (Foot Strap) y Correa de mesa (Table Strap):</p> <ul style="list-style-type: none"><li>Limpie todas las superficies con un paño humedecido con un desinfectante aprobado.</li></ul>
---

<p><b>Lista de productos de limpieza aprobados</b></p>
<p><b>Desinfectantes aprobados por marcas</b></p>
<p><b>Productos líquidos:</b></p> <p>ORION Laboratories - Alcohol isopropílico al 70<span> </span>%</p> <p>Jaychem Industries - 2<span> </span>% de clorhexidina / 70<span> </span>% de alcohol</p> <p>Betadine - Povidona yodada (7,5<span> </span>%)</p> <p>BODE Chemie GmbH - Kohrsolin FF</p> <p>STERIS - Coverage Spray TB</p> <p>CaviCide - Metrex Research</p>

<p><b>Productos solubles:</b></p> <p>Du Pont - Pastillas Rely+On Virkon</p>
---

<p><b>Toallitas para superficies:</b></p> <p>PDI Sani-Cloth Bleach</p> <p>PDI Sani-Cloth AF3</p> <p>Reynard Health Supplies - Toallitas desinfectantes para superficies</p> <p>Metrex Research - CaviWipes</p> <p>Clinell Wipes - Universal Verde)</p> <p>Toallitas de agua oxigenada Clorox</p>
--

<p><b>Ingredientes de los desinfectantes activos aprobados</b></p>
<p><b>Base ácida:</b></p> <p>≤10<span> </span>% de ácido málico CAS 6915-15-7</p> <p>≤6<span> </span>% de ácido sulfámico CAS 5329-14-6</p>

<p><b>Base de alcohol:</b></p> <p>≤5<span> </span>% de 2-butoxietanol CAS 111-76-2</p> <p>≤10<span> </span>% de butildiglicol CAS 112-34-5</p> <p>≤70<span> </span>% de alcohol isopropílico<span> </span>% (propan-2-ol) CAS 67-63-0</p> <p>≤10<span> </span>% de tridecanol CAS 69011-36-5</p> <p>&lt;10<span> </span>% de alcoholes, C12-14, etoxilado CAS 68439-50-9</p> <p>≤70<span> </span>% de etanol desnaturalizado, CAS 64-17-5</p>
---

<p><b>Base de sulfato:</b></p> <p>≤0,1<span> </span>% de PHMB CAS 27083-27-8</p> <p>≤55<span> </span>% de peroximonosulfato de potasio CAS 70693-62-8</p> <p>≤3<span> </span>% de persulfato de potasio CAS 7727-21-1</p>
---

<p><b>Base de amonio y cloruro:</b></p> <p>≤5<span> </span>% de cloruro de benzalconio CAS 68424-85-1</p> <p>≤0,28<span> </span>% de cloruro de bencetonio CAS 121-54-0</p> <p>≤10<span> </span>% cloruro de bencil-C23-18-alquil-dimetil amonio CAS 8001-54-5</p> <p>≤2<span> </span>% clorhexidina CAS 55-56-1</p> <p>≤10<span> </span>% cloruro de didecil dimetil amonio CAS 7173-51-5</p> <p>≤0,5<span> </span>% de compuestos de amonio cuaternario CAS 68956-79-6</p> <p>&lt;5<span> </span>% de cloruros de bencil-alquildimetilamonio C12-18 CAS 63891-01-5</p>
--

<p><b>Otros:</b></p> <p>≤10<span> </span>% de glutaral CAS 111-30-8</p> <p>≤0,63% de hipoclorito de sodio CAS 7681-52-9</p> <p>≤7,5<span> </span>% de povidona yodada CAS 25655-41-8</p> <p>0,5<span> </span>% de cocoanfo-dipropionato disódico CAS 68604-71-7</p> <p>≤1,4<span> </span>% de agua oxigenada CAS 7722-84-1</p>
--

<p>Acceda a la última lista de limpiadores aprobados en <a href="http://www.adeptmedical.com/resources">www.adeptmedical.com/resources</a></p>
--

<p><b>Secado</b></p> <p>Todos los componentes deben secarse a fondo antes de su uso.</p>
<p><b>Mantenimiento, inspección y comprobación</b></p> <p>Lower Leg Support/Placa de pie (Foot Plate):</p> <ul style="list-style-type: none"><li>No hay ninguna fibra de carbono expuesta.</li> <li>El producto no debe presentar daños visibles ni bordes afilados, p. ej., grietas.</li> <li>Asegúrese de que la placa de pie encaja firmemente en el Lower Leg Support.</li></ul>

<p>Almohadilla de pierna (Leg Pad):</p> <ul style="list-style-type: none"><li>No hay daños ni roturas visibles.</li></ul> <p>Correa de pie (Foot Strap)/Correa de pierna (Leg Strap):</p> <ul style="list-style-type: none"><li>No hay daños ni roturas visibles.</li> <li>El cierre de velcro debe quedar bien sujeto.</li></ul>
---

<p>Correa de mesa (Table Strap):</p> <ul style="list-style-type: none"><li>No hay daños ni roturas visibles.</li> <li>La hebilla se puede acoplar y soltar completamente de forma suave.</li></ul>
--

<p><b>Envoltura</b></p> <p>No es necesario envolver el dispositivo después de la desinfección.</p>
--

<p><b>Esterilización</b></p> <p>Este dispositivo no debe someterse a procesos de esterilización.</p>
--

<p><b>Almacenamiento</b></p> <p>Una vez finalizada la desinfección y el secado de todos los componentes, el dispositivo debe almacenarse en un entorno seco.</p>
--

<p><b>Eliminación</b></p>
<p>El producto usado constituye un peligro biológico. Descontamine el producto de acuerdo con las indicaciones suministradas en las instrucciones de desinfección y, si es necesario, póngase en contacto con el fabricante en <a href="mailto:adeptmedical@adept.co.nz">adeptmedical@adept.co.nz</a> para conocer las especificaciones del material. Deseche el producto de acuerdo con la política interna de la clínica teniendo en cuenta los reglamentos locales.</p>

<p><b>Incidentes graves</b></p>
<p>Todo incidente grave que se produzca en relación con el dispositivo debe notificarse inmediatamente a:</p> <ul style="list-style-type: none"><li>La autoridad competente del Estado miembro correspondiente.</li> <li>El fabricante que utiliza el formulario de notificación de incidentes graves que se encuentra en el sitio web de Adept Medical: <a href="http://www.adeptmedical.com/contact/serious-incident-reporting-form">www.adeptmedical.com/contact/serious-incident-reporting-form</a></li></ul>

<p>Las instrucciones proporcionadas anteriormente han sido validadas por el fabricante del dispositivo médico para la preparación de un producto sanitario para su reutilización. Es responsabilidad del procesador garantizar que el procesamiento, tal y como se realiza con los equipos, los materiales y el personal en la instalación de procesamiento, logre el resultado deseado. Esto exige verificación o validación y el control rutinario del proceso.</p>
---

<p>Visite el sitio web de Adept Medical para obtener instrucciones visuales detalladas relacionadas con este producto. <a href="http://www.adeptmedical.com">www.adeptmedical.com</a></p>
---

	<b>Page</b>
<b>Mode d'emploi</b>	<b>1</b>
<b>Enregistrement du produit</b>	<b>2</b>
<b>Contenu</b>	<b>3</b>
<b>Déballage</b>	<b>4</b>
<b>Assemblage</b>	<b>4</b>
<b>Installation</b>	<b>4</b>
Serrage des sangles de table pour l'immobilisation du dispositif.	<b>5</b>
Retrait de la plaque de pied (Foot Plate)	<b>7</b>
<b>Pièces de rechange</b>	<b>7</b>
Code produit	<b>7</b>
Codes des composants	<b>7</b>
<b>Vérification de la table d'images</b>	<b>7</b>
Le produit a fait l'objet d'une évaluation des risques pour fonctionner dans les spécifications ci-dessous	<b>7</b>
Angulation de la table: +/- 15° latéral et longitudinal	<b>7</b>
Surface de la table: Plane	<b>7</b>
<b>Informations essentielles</b>	<b>8</b>

## Informations

### Utilisation prévue

Pour soutenir et immobiliser une jambe du patient allongé sur le dos pendant une chirurgie endovasculaire.

#### Utilisateur visé/formation nécessaire

Dispositif destiné à être utilisé par des professionnels médicaux formés.

#### Patients concernés

Patients adultes de sexe masculin ou féminin ayant besoin d'un examen d'imagerie diagnostique ou d'un traitement guidé par imagerie.

#### Contre-indications

- Dispositif non destiné à être utilisé avec des patients pesant plus de 135 kg.
- Dispositif non destiné à une utilisation pédiatrique.

#### Avertissements et mises en garde

- Veillez à lire le mode d'emploi avant d'utiliser le dispositif.
- Veillez à effectuer le nettoyage préalable.
- Veillez à effectuer le contrôle préalable du produit.
- Ne serrez pas trop les sangles de jambe et de pied (Leg/Foot Strap).
- N'utilisez pas le dispositif avec des patients pesant plus de 135 kg.

#### Directives relatives au signalement d'incidents

Pour les plaintes concernant le produit et le signalement d'incidents, merci de remplir le formulaire accessible à l'adresse suivante : www.adeptmedical.com/contact/service-and-repairs

### Contrôles initiaux et nettoyage

#### Nettoyage

Reportez-vous aux instructions de désinfection.

#### Contrôle du produit

- Pas de rupture dans la surface de fibre de carbone.
- Pas de dommages visibles (par exemple des fissures) ou bords coupants.
- Sangles : assurez-vous que les sangles sont intactes, sans déchirures.
- Table Strap : assurez-vous que la boucle des sangles s'engage et se désengage entièrement et sans difficultés.
- Table Strap : assurez-vous que les sangles de table sont bien fixées et correctement placées (page 5).
- Foot/Leg Strap : assurez-vous que les sangles de pied et de jambe sont bien fixées et correctement placées (page 6).
- Foot Plate : assurez-vous que la plaque de pied est correctement placée dans la fente pour plaque de pied et qu'elle est entièrement engagée.

### Désinfection

#### Avertissements

- Un nettoyage insuffisant peut compromettre le processus de désinfection et conduire à la transmission d'agents pathogènes.
- N'utilisez pas de produits désinfectants ni d'agents abrasifs ou corrosifs qui ne figurent pas sur la liste des produits de nettoyage approuvés.
- Lisez toujours la notice d'utilisation et consultez les FDS des fabricants des produits de nettoyage et de désinfection.
- N'utilisez pas de procédé de nettoyage dépassant 65 °C/149 °F.

#### Limitations au traitement

Cessez d'utiliser le produit dans le cas suivant :

- Présence de fissures ou de pièces cassées.
- Fibre de carbone visible à un endroit quelconque.
- Plaque de pied (Foot Plate) ne s'emboitant pas correctement dans la base du support de jambe (Lower Leg Support Base).
- Déchirure quelconque observée sur le repose-jambe (Leg Pad) ou sur une sangle quelconque.
- La fixation velcro des sangles de jambe et de pied (Leg/Foot Strap) ne s'accroche pas correctement.
- La boucle des sangles de table (Table Strap) ne s'engage pas correctement.

### Instructions de désinfection

#### Traitement initial sur le lieu d'utilisation

Il est important de nettoyer le produit dès le déballage et après chaque acte médical. Après utilisation, veillez à nettoyer méticuleusement toutes les surfaces, y compris les articulations, clips, douilles, fixations et leviers, pour éliminer toute accumulation d'agents contaminants susceptibles d'être présents à la suite d'un acte médical.

#### Préparatifs du nettoyage

- Lower Leg Support Base : retirez la base du matelas.
- Foot Plate : détachez la plaque de pied (Foot Plate) de la base.
- Leg Pad : retirez le repose-jambe de la base.
- Leg Strap : détachez la sangle en séparant bien la face à « crochets » de la face à « boucles ».
- Foot Strap : détachez la sangle en séparant bien la face à « crochets » de la face à « boucles ».
- Table Strap : détachez la boucle de la sangle.

www.adeptmedical.com/imaging-table-accessories/lower-leg-support/training?group=cleaning-instructions

#### Nettoyage : à la main

- Lower Leg Support Base/Foot Plate
- En cas de souillures visibles, rincez à l'eau.
  - Ces composants peuvent être entièrement immergés dans l'eau.
  - Vous pouvez utiliser une brosse à poils souples si besoin.
  - Veillez à enlever entièrement les souillures.
  - Assurez-vous que tous les composants sont complètement secs avant de procéder à la désinfection.

Leg Pad/Leg Strap/Foot Strap/Table Strap

- En cas de souillures visibles, rincez à l'eau.
- Ces composants ne doivent pas être entièrement immergés dans l'eau.
- Vous pouvez utiliser une brosse à poils souples si besoin.
- Veillez à enlever entièrement les souillures.
- Assurez-vous que tous les composants sont entièrement secs avant de procéder à la désinfection.

#### Désinfection

Reportez-vous à la liste des produits de nettoyage approuvés pour choisir un agent désinfectant approprié.

Lower Leg Support :

- Avec un chiffon humecté d'un désinfectant approuvé, essuyez toutes les surfaces, y compris l'intérieur de la fente destinée à recevoir la plaque de pied (Foot Plate).

Foot Plate/Leg Pad/Leg Strap/Foot Strap et Table Strap :

- Avec un chiffon humecté d'un désinfectant approuvé, essuyez toutes les surfaces.

### Liste des produits de nettoyage approuvés

#### Désinfectants approuvés, par marques

#### Liquides :

ORION Laboratories- Alcool isopropylique à 70 %
Jaychem Industries - Chlorhexidine à 2 % / alcool à 70 %
Betadine - Povidone iodée (7,5 %)
BODE Chemie GmbH - Kohrsolin FF
STERIS - Coverage Spray TB
CaviCide - Metrex Research

#### Solubles :

Du Pont - Pastilles Rely+On Virkon

#### Lingettes :

PDI Sani-Cloth Bleach
PDI Sani-Cloth AF3
Reynard Health Supplies - Lingettes désinfectantes
Metrex Research - Lingettes CaviWipes
Lingettes Clinell - Universal (vert)
Lingettes Clorox au peroxyde d'hydrogène

#### Ingrédients désinfectants actifs approuvés

#### À base d'acide :

≤ 10 % d'acide malique CAS 6915-15-7
≤ 6 % d'acide sulfamique CAS 5329-14-6

#### À base d'alcool :

≤ 5 % de 2-butoxyéthanol CAS 111-76-2
≤ 10 % de butyldiglycol CAS 112-34-5
≤ 70 % d'alcool isopropylique (propan-2-ol) CAS 67-63-0
≤ 10 % de tridécanol CAS 69011-36-5
<10 % d'alcool C12-14, éthoxylé CAS 68439-50-9
≤70 % d'éthanol dénaturé CAS 64-17-5

#### À base de sulfates :

≤ 0,1 % de PHMB CAS 27083-27-8
≤ 55 % de peroxymonosulfate de potassium CAS 70693-62-8
≤ 3 % de persulfate de potassium CAS 7727-21-1

#### À base d'ammonium et de chlorures :

≤ 5 % de chlorure de benzalkonium CAS 68424-85-1
≤ 0,28 % de chlorure de benzéthonium CAS 121-54-0
≤ 10 % de chlorure de benzyl-C23-18-alkyldiméthylammonium CAS 8001-54-5
≤ 2 % de chlorhexidine CAS 55-56-1
≤ 10 % de chlorure de didécylдимéthylammonium CAS 7173-51-5
≤ 0,5 % de composés d'ammonium quaternaire CAS 68956-79-6
<5 % de chlorures de benzyl-C12-18-alkyldiméthylammonium CAS 63891-01-5

#### Autres :

≤ 10 % de glutaral CAS 111-30-8
≤ 0,63 % d'hypochlorite de sodium CAS 7681-52-9
≤ 7,5 % de povidone iodée CAS 25655-41-8
0,5 % de cocoamphodipropionate disodique CAS 68604-71-7
≤ 1,4 % de peroxyde d'hydrogène CAS 7722-84-1

La liste actualisée des produits nettoyants approuvés est accessible à l'adresse suivante : www.adeptmedical.com/resources

#### Séchage

Il convient de sécher soigneusement tous les composants avant utilisation.

#### Entretien, contrôles et essais

Lower Leg Support/Foot Plate :

- Aucune fibre de carbone visible à un endroit quelconque.
- Pas de dommages visibles (par exemple des fissures) ou bords coupants.
- Assurez-vous que la plaque de pied (Foot Plate) s'emboîte correctement dans le support de jambe (Lower Leg Support).

Leg Pad :

- Pas de dommages ni déchirures visibles.

Foot Strap/Leg Strap :

- Pas de dommages ni déchirures visibles.
- La fixation velcro doit s'attacher solidement.

Table Strap :

- Pas de dommages ni déchirures visibles.
- La boucle des sangles s'engage et se désengage entièrement et sans difficultés.

#### Emballage

Il n'est pas nécessaire d'emballer le dispositif après la désinfection.

#### Stérilisation

Ce dispositif ne doit pas être soumis à des procédés de stérilisation.

#### Rangement

Dès que la désinfection est terminée et que tous les composants sont secs, il convient de ranger le dispositif dans un environnement sec.

### Élimination

Le produit usagé constitue un risque biologique. Décontaminez-le conformément aux instructions données pour la désinfection. Pour connaître les caractéristiques des matériaux utilisés, le cas échéant, renseignez-vous auprès du fabricant à l'adresse suivante : adeptmedical@adept.co.nz . Éliminez le produit dans le respect des directives en vigueur au sein de votre établissement, en prenant en considération la réglementation locale.

### Incidents graves

Tout incident grave survenu en lien avec le dispositif doit être immédiatement signalé :

- À l'autorité compétente de l'état membre concerné ;
- Au fabricant, en utilisant le formulaire de signalement d'incident grave disponible sur le site Web d'Adept Medical: www.adeptmedical.com/contact/serious-incident-reporting-form

Les instructions qui précèdent ont été validées par le fabricant du dispositif médical comme permettant de préparer le dispositif en vue d'une réutilisation. Il reste de la responsabilité de la personne chargée du traitement de veiller à ce que l'opération, telle qu'elle est en pratique réalisée par le personnel du service à l'aide des matériels et des produits à sa disposition, atteigne le résultat souhaité. Ceci nécessite une vérification ou une validation et une surveillance régulière du processus.

Visitez le site web d'Adept Medical pour des instructions visuelles détaillées concernant ce dispositif. www.adeptmedical.com

Pagina	
<b>Istruzioni per l'uso</b>	<b>1</b>
<b>Registrazione del prodotto</b>	<b>2</b>
<b>Sommario</b>	<b>3</b>
<b>Estrazione dalla confezione</b>	<b>4</b>
<b>Assemblaggio</b>	<b>4</b>
<b>Configurazione</b>	<b>4</b>
Serraggio delle cinture per il tavolo (Table strap) per l'immobilizzazione del dispositivo.	<b>5</b>
Rimozione della Foot Plate	<b>7</b>
<b>Parti di ricambio</b>	<b>7</b>
Codice prodotto	<b>7</b>
Codici dei componenti	<b>7</b>
<b>Verifica della tabella delle immagini</b>	<b>7</b>
Il prodotto è stato valutato per funzionare entro le specifiche sottostanti	<b>7</b>
Inclinazione tavolo: +/- 15° laterale e longitudinale	<b>7</b>
Superficie del tavolo: Piatto	<b>7</b>
<b>Informazioni essenziali</b>	<b>8</b>

## Informazioni

### Destinazione d'uso

Sostegno e immobilizzazione della gamba del paziente in posizione supina nel corso di un intervento endovascolare.

### Utente raccomandato/Requisiti di formazione

Deve essere usato da operatori sanitari adeguatamente formati.

### Gruppo obiettivo di pazienti

Pazienti adulti di sesso maschile o femminile che necessitano di una diagnostica per immagini e una terapia guidata da immagini.

### Controindicazioni

- Non usare su pazienti con peso corporeo superiore a 135 kg.
- Non usare su pazienti in età pediatrica.

### Avvertenze e precauzioni

- Prima dell'utilizzo si raccomanda di leggere le Istruzioni per l'uso.
- Accertarsi di aver effettuato la pulizia preventiva.
- Accertarsi di aver effettuato i controlli preventivi sul prodotto.
- Non serrare eccessivamente le cinghie per la gamba e per il piede (Leg & Foot Straps).
- Non usare su pazienti con peso corporeo superiore a 135 kg.

### Indicazioni per le segnalazioni di incidenti

Per segnalare problemi e incidenti sul prodotto, compilare il modulo disponibile su [www.adeptmedical.com/contact/service-and-repairs](http://www.adeptmedical.com/contact/service-and-repairs)

### Controlli iniziali e pulizia

#### Pulizia

Fare riferimento alle istruzioni per la disinfezione.

#### Controlli sul prodotto

- Verificare che non siano presenti rotture sulla superficie di fibra di carbonio.
- Verificare che non siano presenti danni o bordi taglienti, per es., crepe.
- Cinghie: verificare l'assenza di danni, per es., strappi.
- Table Strap: verificare che la fibbia si inserisca completamente e che la si possa agevolmente inserire ed estrarre.
- Table Strap: verificare che la Table Strap sia fissata e correttamente posizionata (pag. 5).
- Foot/Leg Strap: verificare che le cinghie siano fissate e correttamente posizionate (pag. 6).
- Foot Plate: verificare che la Foot Plate sia correttamente posizionata e completamente inserita nel suo alloggiamento (Foot Plate Slot).

### Disinfezione

#### Avvertenze

- Una pulizia insufficiente potrebbe compromettere il processo di disinfezione e determinare la trasmissione di agenti patogeni.
- Non usare prodotti disinfettanti o agenti abrasivi/corrosivi non indicati nell'elenco dei detergenti approvati.
- Quando si usano prodotti detergenti e disinfettanti leggere sempre le istruzioni del produttore e consultare la scheda dei dati di sicurezza (MSDS).
- Non usare procedure di pulizia che prevedono temperature superiori a 65 °C/149 °F.

#### Limitazioni di utilizzo

Interrompere l'utilizzo quando:

- Sono presenti crepe o rotture.
- Sono visibili fibre di carbonio esposte.
- La Foot Plate non è saldamente inserita nella Lower Leg Support Base.
- Si notano strappi sulla Leg Pad o sulle cinghie.
- Il gancio e l'anello delle Leg/Foot Strap non si innestano correttamente.
- La fibbia della Table Strap non si innesta correttamente.

## Istruzioni per la disinfezione

#### Trattamento preventivo nella struttura di utilizzo

Dopo aver rimosso il prodotto dalla sua confezione, e dopo ogni procedura, è importante pulirlo. Dopo ogni utilizzo pulire accuratamente tutte le aree, compresi gli snodi, i fermagli, le staffe e le leve, per rimuovere tutti gli accumuli di contaminanti eventualmente presenti al termine della procedura.

#### Preparazione prima della pulizia

- Lower Leg Support Base: rimuovere la Base dal materassino.
- Foot Plate: staccare la Foot Plate dalla Base.
- Leg Pad: rimuovere l'imbottitura dalla Base.
- Leg Strap: slacciare la cinghia accertandosi che il "gancio" e l"anello" non siano collegati.
- Leg Strap: slacciare la cinghia accertandosi che il "gancio" e l"anello" non siano collegati.
- Table Strap: slacciare la fibbia della cintura.

[www.adeptmedical.com/imaging-table-accessories/lower-leg-support/training?group=cleaning-instructions](http://www.adeptmedical.com/imaging-table-accessories/lower-leg-support/training?group=cleaning-instructions)

#### Pulizia: manuale

Lower Leg Support Base/Foot Plate

- Quando visibilmente sporchi, sciacquare con acqua.
- Questi componenti possono essere immersi completamente in acqua.
- Se necessario, usare una spazzola con setole morbide.
- Accertarsi di eliminare completamente la sporcizia.
- Prima di procedere con la disinfezione verificare che tutti i componenti siano completamente asciutti.

Leg Pad/Leg Strap/Foot Strap/Table Strap

- Quando visibilmente sporchi, sciacquare con acqua.
- Questi componenti non possono essere immersi completamente in acqua.
- Se necessario, usare una spazzola con setole morbide.
- Accertarsi di eliminare completamente la sporcizia.
- Prima della disinfezione verificare che tutti i componenti siano completamente asciutti.

#### Disinfezione

Scegliere un agente disinfettante appropriato tra quelli riportati nell'elenco dei detergenti approvati.

#### Lower Leg Support:

- Pulire tutte le superfici, compresa la parte interna delle scanalature della Foot Plate, con un panno imbevuto di un disinfettante approvato.

Foot Plate/Leg Pad/Leg Strap/Foot Strap e Table Strap:

- Pulire tutte le superfici con un panno imbevuto di un disinfettante approvato.

### Elenco dei detergenti approvati

#### Disinfettanti approvati (per marca)

#### Liquidi:

ORION Laboratories - Alcol isopropilico 70%
Jaychem Industries - Cloroexidina 2%/Alcol 70%
Betadine - Iodopovidone (7,5%)
BODE Chemie GmbH - Kohrsolin FF
STERIS - Coverage Spray TB
CaviCide - Metrex Research

#### Dissolubili:

Du Pont - Pastiglie Rely+On Virkon

#### Salviette detergenti per superfici:

PDI Sani-Cloth Bleach
PDI Sani-Cloth AF3
Reynard Health Supplies - Salviette disinfettanti per superfici
Metrex Research - CaviWipes
Salviette Clinell - Universal (verde)
Salviette Clorox Hydrogen Peroxide

#### Ingredienti disinfettanti attivi approvati

#### A base di acido:

Acido malico ≤10% CAS 6915-15-7

Acido solfammico ≤6% CAS 5329-14-6

#### A base di alcol:

2-Butossietanolo ≤5% CAS 111-76-2

Butildiglicole ≤10% CAS 112-34-5

Alcol isopropilico ≤70% (Propan-2-olo) CAS 67-63-0

Tridecanolo ≤10% CAS 69011-36-5

Alcol C12-14 etossilato <10%, CAS 68439-50-9

Etanolo denaturato ≤70% CAS 64-17-5

#### A base di solfato:

PHMB (poliesametilene biguanide) ≤0,1% CAS 27083-27-8

Perossimonosolfato di potassio ≤55% CAS 70693-62-8

Persolfato di potassio ≤3% CAS 7727-21-1

#### A base di ammonio e cloruro:

Cloruro di benzalconio ≤5% CAS 68424-85-1

Cloruro di benzetonio ≤0,28% CAS 121-54-0

Cloruro di benzile-C23-18-alchil-dimetil ammonio ≤10% CAS 8001-54-5

Clorexidina ≤2% CAS 55-56-1

Cloruro di didecil dimetil ammonio ≤10% CAS 7173-51-5

Composti di ammonio quaternario ≤0,5% CAS 68956-79-6

Cloruri di benzile-C 12-18 alchil-dimetil ammonio <5% CAS 63891-01-5

#### Altri:

Glutarale ≤10% CAS 111-30-8

Ipoclorito di sodio ≤0,63% CAS 7681-52-9

Iodopovidone ≤7,5% CAS 25655-41-8

Cocco anfidipropionato disodico 0,5% CAS 68604-71-7

Perossido di idrogeno ≤1,4% CAS 7722-84-1

L'elenco della versione più aggiornata dei detergenti approvati è disponibile su [www.adeptmedical.com/resources](http://www.adeptmedical.com/resources)

#### Asciugatura

Tutti i componenti devono essere completamente asciutti prima dell'uso.

#### Manutenzione, ispezione e prove

Lower Leg Support/Foot Plate:

- Verificare che non siano visibili fibre di carbonio esposte.
- Verificare che non siano presenti danni o bordi taglienti, per es., crepe.
- Verificare che la Foot Plate si inserisca correttamente nel Lower Leg Support.

Leg Pad:

- Verificare che non siano presenti danni o strappi visibili.

Foot Strap/Leg Strap:

- Verificare che non siano presenti danni o strappi visibili.
- Verificare che il gancio e l'anello si innestino correttamente.

Table Strap:

- Verificare che non siano presenti danni o strappi visibili.
- Verificare che la fibbia possa essere completamente inserita ed estrarra senza problemi.

#### Imballaggio

Dopo la disinfezione non è necessario imballare il dispositivo.

#### Sterilizzazione

Questo dispositivo non richiede processi di sterilizzazione.

#### Immagazzinamento

Alla conclusione della disinfezione, e dopo che tutti i componenti si saranno asciugati, riporre il dispositivo in un ambiente asciutto.

## Smaltimento

Il prodotto utilizzato è a rischio biologico e deve essere decontaminato attenendosi alle indicazioni fornite nelle istruzioni per la disinfezione e, quando necessario, per le specifiche dei materiali rivolgersi al fabbricante a [adeptmedical@adept.co.nz](mailto:adeptmedical@adept.co.nz). Smaltire attenendosi alle politiche di smaltimento interne e alle norme di smaltimento locali in vigore.

### Incidenti gravi

Tutti gli incidenti gravi che si verificano durante l'uso del dispositivo devono essere immediatamente segnalati:

- Alle Autorità competenti dello Stato membro.
- Al fabbricante, usando il Modulo per la segnalazione di incidenti gravi (Serious Incident Reporting Form) reperibile sul sito web di Adept Medical: [www.adeptmedical.com/form/serious-incident-reporting-form](http://www.adeptmedical.com/form/serious-incident-reporting-form)

Le istruzioni qui sopra fornite sono state convalidate dal fabbricante del dispositivo medico come adeguate per la preparazione all'utilizzo di un dispositivo medico. L'utente finale avrà la responsabilità di assicurare che il processo, da eseguire utilizzando le attrezzature, i materiali e il personale della struttura di processo, consenta di ottenere i risultati desiderati. Questo richiede una verifica e/o una convalida e il monitoraggio di routine del processo.

Visita il sito web di Adept Medical per istruzioni visive dettagliate relative a questo dispositivo.
[www.adeptmedical.com](http://www.adeptmedical.com)

	<b>Buchseite</b>
<b>Gebrauchsanweisung</b>	<b>1</b>
<b>Produktregistrierung</b>	<b>2</b>
<b>Inhalt</b>	<b>3</b>
<b>Entpacken</b>	<b>4</b>
<b>Montage</b>	<b>4</b>
<b>Einrichtung</b>	<b>4</b>
Ziehen Sie die Table Straps fest, um den Leg Support zu fixieren.	<b>5</b>
Entfernen der Foot Plate	<b>7</b>
<b>Ersatzteile</b>	<b>7</b>
Produktcode	<b>7</b>
Komponentencodes	<b>7</b>
<b>Überprüfung der Bildtabelle</b>	<b>7</b>
Das Produkt wurde einer Risikobewertung unterzogen, um innerhalb der nachstehenden Spezifikationen zu funktionieren	<b>7</b>
Winkelstellung des Tisches: +/- 15° lateral und longitudinal	<b>7</b>
Tischoberfläche: Flach	<b>7</b>
<b>Grundlegende Informationen</b>	<b>8</b>

## Informationen

### Verwendungszweck

Dient zur Unterstützung und Ruhigstellung des Beins eines liegenden Patienten während eines endovaskulären Eingriffs.

### Bestimmungsgemäße Benutzer/Schulungsanforderung

Vorgesehen zur Verwendung durch geschultes medizinisches Fachpersonal.

### Patienten-Zielgruppe

Erwachsene männliche oder weibliche Patienten, die eine diagnostische Bildgebung und eine bildgeführte Therapie benötigen.

### Kontraindikationen

- Nicht bei Patienten mit einem Körpergewicht über 135 kg verwenden.
- Nicht für die pädiatrische Anwendung geeignet.

### Warn- und Sicherheitshinweise

- Stellen Sie sicher, dass die Gebrauchsanweisung vor der Verwendung gelesen wird.
- Stellen Sie sicher, dass eine Vorreinigung durchgeführt wird.
- Stellen Sie sicher, dass der vorbereitende Produktkontrolle durchgeführt wird.
- Ziehen Sie die Leg und Foot Straps nicht zu fest an.
- Nicht bei Patienten mit einem Körpergewicht über 135 kg verwenden.

### Richtlinien zur Meldung von Vorfällen

Für Produktreklamationen und Vorfälle, füllen Sie bitte das folgende Formular aus [www.adeptmedical.com/contact/service-and-repairs](http://www.adeptmedical.com/contact/service-and-repairs)

## Erstprüfung und Reinigung

### Reinigung

Siehe Desinfektionsanleitung.

### Produktkontrollen

- Kein Bruch in der Kohlefaseroberfläche.
- Keine sichtbaren Schäden oder scharfe Kanten vorhanden, z. B. Risse.
- Straps: Stellen Sie sicher, dass keine Beschädigungen, z. B. Risse, vorhanden sind.
- Table Strap: Stellen Sie sicher, dass sich die Schnalle vollständig und reibungslos ein- und ausrasten lässt.
- Table Strap: Stellen Sie sicher, dass der Table Strap sicher und korrekt angebracht ist (Seite 5).
- Foot/Leg Strap: Stellen Sie sicher, dass die Straps sicher und richtig platziert sind (Seite 6).
- Foot Plate: Stellen Sie sicher, dass die Foot Plate korrekt in den Schlitz der Foot Plate eingesetzt und vollständig eingerastet ist.

## Desinfektion

### Warnhinweise

- Eine unzureichende Reinigung kann den Desinfektionsprozess beeinträchtigen und zu einer Übertragung von Krankheitserregern führen.
- Verwenden Sie keine Desinfektionsmittel oder Scheuermittel/Ätzmittel, die nicht auf der Liste der zugelassenen Reinigungsmittel aufgeführt sind.
- Lesen Sie immer die Anweisungen des Herstellers und beachten Sie das Sicherheits-datenblatt des Herstellers der verwendeten Reinigungs- und Desinfektionsmitteln.
- Verwenden Sie keine Reinigungsverfahren, die eine Temperatur von 65 °C/149 °F überschreiten.

### Nutzungsbeschränkungen

Verwenden Sie das Produkt nicht, wenn:

- Es Risse, Brüche oder andere Beschädigungen aufweist.
- Jede freiliegende Kohlefaser ist sichtbar.
- Die Foot Plate sitzt nicht sicher in der Lower Leg Support Base.
- Am Leg Pad oder an einem der Straps sind Risse erkennbar.
- Der Klettverschluss am Leg/Foot Strap schließt nicht mehr ordnungsgemäß.
- Die Schnalle am Table Strap rastet nicht sicher ein.

## Anweisungen zur Desinfektion

### Erstbehandlung am Einsatzort

Das Produkt muss nach der Entnahme aus der Verpackung und nach jedem Eingriff gereinigt werden. Stellen Sie sicher, dass alle Bereiche, einschließlich Gelenke, Clips, Buchsen, Halterungen und Hebel, nach der Verwendung gründlich gereinigt werden, um alle Verunreinigungen zu entfernen, die nach einer Nutzung vorhanden sein können.

### Vorbereitung für die Reinigung

- Lower Leg Support Base: Entfernen Sie die Base von der Patientenauflage.
- Foot Plate: Nehmen Sie die Foot Plate von der Base.
- Leg Pad: Entfernen Sie das Leg Pad von der Base.
- Leg Strap: Lösen Sie das Strap, d. h. stellen Sie sicher, dass die „Haken-“ und „Schlaufenseiten“ nicht verbunden sind.
- Foot Strap: Lösen Sie das Strap, d. h. stellen Sie sicher, dass die „Haken-“ und „Schlaufenseiten“ nicht verbunden sind.
- Table Strap: Lösen Sie die Schnalle am Strap.

[www.adeptmedical.com/imaging-table-accessories/lower-leg-support/training?group=cleaning-instructions](http://www.adeptmedical.com/imaging-table-accessories/lower-leg-support/training?group=cleaning-instructions)

### Reinigung: Manuell

Lower Leg Support Base/Foot Plate

- Bei sichtbarer Verschmutzung mit Wasser abspülen.
- Diese Komponenten können vollständig in Wasser getaucht werden.
- Verwenden Sie bei Bedarf eine Bürste mit weichen Borsten.
- Stellen Sie sicher, dass die Verschmutzung vollständig entfernt wird.
- Stellen Sie sicher, dass das alle Komponenten vor der Desinfektion vollständig getrocknet ist.

Leg Pad/Leg Strap/Foot Strap/Table Strap

- Bei sichtbarer Verschmutzung mit Wasser abspülen.
- Diese Komponenten sollten nicht vollständig in Wasser getaucht werden.
- Verwenden Sie bei Bedarf eine Bürste mit weichen Borsten.
- Stellen Sie sicher, dass die Verschmutzung vollständig entfernt wird.
- Stellen Sie sicher, dass das alle Komponenten vor der Desinfektion vollständig getrocknet ist.

### Desinfektion

Entnehmen Sie die Auswahl eines geeigneten Desinfektionsmittels der Liste der zugelassenen Reinigungsmittel.

Lower Leg Support:

- Wischen Sie alle Oberflächen mit einem Tuch ab, das mit einem zugelassenen Desinfektionsmittel befeuchtet ist, auch die Innenseite des Schlitzes an der Foot Plate.

Foot Plate/Leg Pad/Leg Strap/Foot Strap und Table Strap:

- Wischen Sie alle Oberflächen mit einem Tuch ab, das mit einem zugelassenen Desinfektionsmittel befeuchtet ist.

## Liste der zugelassenen Reinigungsmittel

### Zugelassenes Desinfektionsmittel nach Marken

#### Flüssigkeiten:

ORION Laboratories - 70%-iger Isopropylalkohol  
 Jaychem Industries - 2% Chlorhexidin / 70% Alkohol  
 Betadine - Povidon-Jod (7,5 %)  
 BODE Chemie GmbH - Kohrsolin FF  
 STERIS - Coverage Spray TB  
 CaviCide - Metrex Research

#### Lösungsmittel:

Du Pont - Rely+On Virkon Tabletten

#### Wischtücher für die Oberfläche:

PDI Sani-Cloth Bleiche  
 PDI Sani-Cloth AF3  
 Reynard Health Supplies - Oberflächen-Desinfektionstücher  
 Metrex Research - CaviWipes  
 Clinell Tücher - Universal (Grün)  
 Clorox-Wasserstoffperoxid-Tücher

### Zugelassene Desinfektionsmittelwirkstoffe

#### Auf Säurebasis:

≤10% Hydroxybernsteinsäure CAS 6915-15-7  
 ≤6% Sulfaminsäure CAS 5329-14-6

#### Auf Alkoholbasis:

≤5 % 2-Butoxyethanol CAS 111-76-2  
 ≤10 % Butylidiglykol CAS 112-34-5  
 ≤70 % Isopropylalkohol (Propan-2-ol) CAS 67-63-0  
 ≤10 % Tridecanol CAS 69011-36-5  
 <10 % Alkohole, C12-14, ethoxyliert CAS 68439-50-9  
 ≤70% Denaturiertes Ethanol CAS 64-17-5

#### Auf Sulfatbasis:

≤0,1 % PHMB CAS 27083-27-8  
 ≤55 % Kaliumperoxymonosulfat CAS 70693-62-8  
 ≤3 % Kaliumpersulfat CAS 7727-21-1

#### Auf Ammonium- und Chloridbasis:

≤5 % Benzalkoniumchlorid CAS 68424-85-1  
 ≤0,28 % Benzethoniumchlorid CAS 121-54-0  
 ≤10% Benzyl-C23-18-Alkyl-dimethyl Ammonium-Chlorid CAS 8001-54-5  
 ≤2 % Chlorhexidin CAS 55-56-1  
 ≤10 % Didecyl-Dimethylammoniumchlorid CAS 7173-51-5  
 ≤0,5 % Quaternäre Ammoniumverbindungen CAS 68956-79-6  
 <5 % Benzyl-C 12-18 Alkyldimethylammoniumchloride CAS 63891-01-5

#### Sonstige:

≤10% Glutaral CAS 111-30-8  
 ≤0,63 % Natriumhypochlorit CAS 7681-52-9  
 ≤7,5 % Povidon-Iod CAS 25655-41-8  
 0,5 % Dinatrium-Cocoampho-Dipropionat CAS 68604-71-7  
 ≤1,4 % Wasserstoffperoxid CAS 7722-84-1

Zugriff auf die aktuelle Liste der zugelassenen Reinigungsmittel über [www.adeptmedical.com/resources](http://www.adeptmedical.com/resources)

### Trocknen

Alle Komponenten sollten vor der Verwendung gründlich getrocknet werden.

### Wartung, Inspektion und Prüfung

Lower Leg Support/Foot Plate:

- Keine freiliegenden Kohlefasern sind sichtbar.
- Keine sichtbaren Schäden oder scharfe Kanten vorhanden, z. B. Risse.
- Stellen Sie sicher, dass die Foot Plate fest im Lower Leg Support sitzt.

Leg Pad:

- Keine sichtbaren Schäden oder Risse.

Foot Strap/Leg Strap:

- Keine sichtbaren Schäden oder Risse.
- Der Klettverschluss sollte fest sitzen.

Table Strap:

- Keine sichtbaren Schäden oder Risse.
- Die Schnalle lässt sich vollständig und reibungslos ein- und ausrasten.

### Verpackung

Es ist nicht erforderlich, das Gerät nach der Desinfektion zu verpacken.

### Sterilisation

Dieses Gerät darf keinen Sterilisationsprozessen unterzogen werden.

### Aufbewahrung

Wenn die Desinfektion abgeschlossen ist und alle Komponenten trocken sind, sollte das Produkt in einer trockenen Umgebung aufbewahrt werden.

## Entsorgung

Behandeln Sie das Produkt als biologische Gefährdung, dekontaminieren Sie gemäß den Anweisungen in der Desinfektionsanleitung und wenden Sie sich bei Bedarf an den Hersteller unter [adeptmedical@adept.co.nz](mailto:adeptmedical@adept.co.nz) für ein Materialdatenblatt. Entsorgen Sie gemäß den klinikinternen Richtlinien unter Berücksichtigung der örtlichen Vorschriften.

## Schwere Vorfälle

Jeder schwerwiegende Vorfall, der im Zusammenhang mit dem Gerät auftritt, sollte sofort gemeldet werden an:

- Die zuständige Behörde des jeweiligen Mitgliedstaates.
- Dem Hersteller, über das Meldeformular für schwerwiegende Vorfälle, das auf der Adept Medical Website zu finden ist: [www.adeptmedical.com/contact/serious-incident-reporting-form](http://www.adeptmedical.com/contact/serious-incident-reporting-form)

Die oben angegebenen Anweisungen wurden vom Hersteller des Medizinprodukts als geeignet für die Vorbereitung eines Medizinprodukts zur Wiederverwendung validiert. Es liegt in der Verantwortung des Betreibers, sicherzustellen, dass die Verwendung, wie sie tatsächlich mit Geräten, Materialien und Personal am Einsatzort durchgeführt wird, das gewünschte Ergebnis erzielt. Dies erfordert eine Verifizierung und/oder Validierung und eine routinemäßige Überwachung des Prozesses.

Besuchen Sie die Website von Adept Medical für detaillierte visuelle Anleitungen zu diesem Produkt. [www.adeptmedical.com](http://www.adeptmedical.com)

	<b>Bladzijde</b>
<b>Gebruiksaanwijzing</b>	<b>1</b>
<b>Product registratie</b>	<b>2</b>
<b>Inhoud</b>	<b>3</b>
<b>Inhoud van de doos</b>	<b>4</b>
<b>Montage</b>	<b>4</b>
<b>Installatie</b>	<b>4</b>
Tafelriemen (table straps) voor het immobiliseren van het hulpmiddel.	<b>5</b>
Verwijdering van voetplaat (Foot Plate)	<b>7</b>
<b>Reserveonderdelen</b>	<b>7</b>
Productcode	<b>7</b>
Onderdeelcodes	<b>7</b>
<b>Afbeeldingstabelverificatie</b>	<b>7</b>
Het product is beoordeeld op risico om binnen de onderstaande specificaties te werken:	<b>7</b>
Tafelhoek: +/- 15° lateraal en longitudinaal	<b>7</b>
Tafeloppervlak: Vlak	<b>7</b>
<b>Essentiële informatie</b>	<b>8</b>

<b>Gebruik</b>
<b>Beoogd gebruik</b>
Voor het ondersteunen en immobiliseren van het been van een patiënt in rugligging en tijdens een endovasculaire operatie.
<b>Beoogde gebruiker/trainingsvereiste</b>
Bedoeld voor gebruik door getrainde medische professionals.
<b>Patiëntendoelgroep</b>
Volwassen mannelijke of vrouwelijke patiënt die diagnostische beeldvorming en beeldgeleide therapie nodig heeft.
<b>Contra-indicaties</b>
<ul style="list-style-type: none"><li>Niet gebruiken bij patiënten die zwaarder zijn dan 135 kg.</li> <li>Niet voor gebruik bij kinderen.</li></ul>

<b>Waarschuwingen en voorzorgsmaatregelen</b>
<ul style="list-style-type: none"><li>Lees de gebruiksaanwijzing vóór gebruik.</li> <li>Maak het product vóór gebruik schoon.</li> <li>Controleer het product vóór gebruik.</li> <li>Breng been- en voetriemen (Leg en Foot Straps) niet te strak aan.</li> <li>Niet gebruiken bij patiënten die zwaarder zijn dan 135 kg.</li></ul>
<b>Richtlijnen voor melding van incidenten</b>
Vul bij klachten en incidenten het formulier in op: <a href="http://www.adeptmedical.com/contact/service-and-repairs">www.adeptmedical.com/contact/service-and-repairs</a>

<b>Eerste controles en reiniging</b>
<b>Reiniging</b>
Zie de instructies voor desinfectie.
<b>Productcontroles</b>
<ul style="list-style-type: none"><li>Geen breuk in het koolstofvezeloppervlak.</li> <li>Geen zichtbare beschadigingen of scherpe randen, bijvoorbeeld scheuren.</li> <li>Riemen (Straps): controleer op beschadigingen, bijvoorbeeld scheuren.</li> <li>Tafelriem (Table Strap): controleer of de gesp soepel kan worden los- en vastgemaakt.</li> <li>Tafelriem (Table Strap): controleer of de tafelriem stevig en correct is vastgemaakt (pagina 5).</li> <li>Voet-/beenriem (Foot/Leg Strap): controleer of de riemen stevig en correct zijn vastgemaakt (pagina 6).</li> <li>Voetplaat (Foot Plate): controleer of de voetplaat (Foot Plate) correct in de gleuf van de voetplaat is geplaatst en volledig is vastgeklikt.</li></ul>

<b>Desinfectie</b>
<b>Waarschuwingen</b>
<ul style="list-style-type: none"><li>Onvoldoende reiniging kan het desinfectieproces in gevaar brengen en ervoor zorgen dat ziekteverwekkers kunnen worden overgedragen.</li> <li>Gebruik geen desinfectiemiddelen of schurende/corrosieve middelen die niet op de lijst van goedgekeurde schoonmaakmiddelen staan.</li> <li>Lees altijd de instructies en raadpleeg het veiligheidsinformatieblad van de fabrikant voor schoonmaak- en desinfectiemiddelen.</li> <li>Gebruik geen reinigingsprocedure met een temperatuur die hoger is dan 65<span> </span>°C/149<span> </span>°F.</li></ul>

<b>Beperkingen op verwerking</b>
Gebruik het product niet meer indien:
<ul style="list-style-type: none"><li>Het product gescheurd of gebroken is.</li> <li>Alle blootliggende koolstofvezel zichtbaar is.</li> <li>De voetplaat (Foot Plate) past niet stevig in de onderbeensteunplaat (Lower Leg Support Base).</li> <li>Het beenkussen (Leg Pad) of een van de riemen (Straps) vertoont scheuren.</li> <li>De klittenbandsluiting van been-/voetriem (Leg/Foot Strap) zit niet goed vast.</li> <li>De klittenbandsluiting van de been-/voetriem (Leg/Foot Strap) zit niet goed vast.</li></ul>

<b>Instructies voor desinfectie</b>
<b>Eerste behandeling op de plaats van gebruik</b>
Het is belangrijk dat u het product reinigt zodra u het uit de verpakking hebt gehaald en na elke procedure. Reinig alle onderdelen, met inbegrip van scharnieren, klemmen, aansluitingen, beugels en hendels, na gebruik grondig om alle verontreinigende stoffen te verwijderen die zich na een procedure kunnen ophopen.

<b>Vorbereiding vóór het reinigen</b>
<ul style="list-style-type: none"><li>Onderbeensteunplaat (Lower Leg Support Base): haal de basisplaat van het matras.</li> <li>Voetplaat (Foot Plate): verwijder de voetplaat (Foot Plate) van de basisplaat.</li> <li>Beenkussen (Leg Pad): verwijder het kussen van de basisplaat.</li> <li>Beenriem (Leg Strap): maak de riem los door de klittenbandsluiting los te trekken.</li> <li>Voetriem (Foot Strap): maak de riem los door de klittenbandsluiting los te trekken.</li> <li>Tafelriem (Table Strap): maak de gesp van de riem (strap) los.</li></ul> <a href="http://www.adeptmedical.com/imaging-table-accessories/lower-leg-support/training?group=cleaning-instructions">www.adeptmedical.com/imaging-table-accessories/lower-leg-support/training?group=cleaning-instructions</a>

<b>Reinigen: handmatig</b>
Onderbeensteunplaat/voetplaat (Lower Leg Support Base/Foot Plate) <ul style="list-style-type: none"><li>Bij zichtbare vervuiling afspoelen met water.</li> <li>Deze onderdelen kunnen volledig in water worden ondergedompeld.</li> <li>U kunt een zachte borstel gebruiken als dat nodig is.</li> <li>Zorg ervoor dat het vuil volledig is verwijderd.</li> <li>Zorg ervoor dat alle onderdelen volledig droog zijn voordat u ze desinfecteert.</li></ul>
Beenkussen (Leg Pad)/beenriem (Leg Strap)/voetriem (Foot Strap)/tafelriem (Table Strap) <ul style="list-style-type: none"><li>Bij zichtbare vervuiling afspoelen met water.</li> <li>Deze onderdelen mogen niet volledig in water worden ondergedompeld.</li> <li>U kunt een zachte borstel gebruiken als dat nodig is.</li> <li>Zorg ervoor dat het vuil volledig is verwijderd.</li> <li>Zorg ervoor dat alle onderdelen volledig droog zijn voordat u ze desinfecteert.</li></ul>

<b>Desinfectie</b>
Raadpleeg de lijst van goedgekeurde schoonmaakmiddelen om een geschikt desinfectiemiddel te vinden.

Onderbeensteun (Lower Leg Support): <ul style="list-style-type: none"><li>Gebruik een doek met een goedgekeurd desinfectiemiddel om alle oppervlakken af te nemen. Vergeet daarbij niet de binnenkant van de gleuven voor de voetplaat (Foot Plate).</li></ul>
Voetplaat (Foot Plate)/beenkussen (Leg Pad)/beenriem (Leg Strap)/voetriem (Foot Strap) en tafelriem (Table Strap): <ul style="list-style-type: none"><li>Gebruik een doek die is bevochtigd met een goedgekeurd desinfectiemiddel om alle oppervlakken af te vegen.</li></ul>

<b>Lijst van goedgekeurde schoonmaakmiddelen</b>
<b>Goedgekeurd desinfectiemiddel per merk</b>
<b>Vloeistoffen:</b>
ORION Laboratories - 70% isopropylalcohol
Jaychem Industries - 2% chloorhexidine/70% alcohol
Betadine - Povidonjodium (7,5%)
BODE Chemie GmbH - Kohrsolin FF
STERIS - Coverage Spray TB
CaviCide - Metrex Research

<b>Oplosbaar:</b>
Du Pont - Rely+On Virkon-tabletten

<b>Desinfectiedoekjes:</b>
PDI Sani-Cloth Bleach
PDI Sani-Cloth AF3
Reynard Health Supplies - Surface Disinfectant Wipes
Metrex Research - CaviWipes
Clinell Wipes - Universal (groente)
Clorox-doekjes met waterstofperoxide

<b>Goedgekeurde actieve desinfectiemiddelen</b>
<b>Op zuurbasis:</b>
≤10% appelzuur CAS 6915-15-7
≤6% sulfaminezuur CAS 5329-14-6

<b>Op alcoholbasis:</b>
≤5% 2-butoxyethanol CAS 111-76-2
≤10% butylidiglycol CAS 112-34-5
≤70% isopropylalcohol (propaan-2-ol) CAS 67-63-0
≤10% tridecanol CAS 69011-36-5
<10% alcohol, C12-14, geëthoxyleerd CAS 68439-50-9
≤70% gedenatureerde ethanol CAS 64-17-5

<b>Op sulfaatbasis:</b>
≤0,1% PHMB CAS 27083-27-8
≤55% kaliumperoxymonosulfaat CAS 70693-62-8
≤3% kaliumpersulfaat CAS 7727-21-1

<b>Op ammonium- en chloridebasis:</b>
≤5% benzalkoniumchloride CAS 68424-85-1
≤0,28% benzethoniumchloride CAS 121-54-0
≤10% benzyl-C23-18-alkyldimethyl ammoniumchloride CAS 8001-54-5
≤2% chloorhexidine CAS 55-56-1
≤10% didecyl dimethyl ammoniumchloride CAS 7173-51-5
≤0,5% quaternaire ammoniumverbindingen CAS 68956-79-6
<5% benzyl-C 12-18 alkyldimethylammonium chloriden CAS 63891-01-5

<b>Overige:</b>
≤10% glutaar CAS 111-30-8
≤0,63% natriumhypochloriet CAS 7681-52-9
≤7,5% povidonjodium CAS 25655-41-8
0,5% dinatrium cocoamfodipropionaat CAS 68604-71-7
≤1,4% waterstofperoxide CAS 7722-84-1

Bekijk de meest recente lijst van erkende schoonmaakmiddelen via <a href="http://www.adeptmedical.com/resources">www.adeptmedical.com/resources</a>
---

<b>Drogen</b>
Alle onderdelen moeten voor gebruik helemaal droog zijn.
<b>Onderhoud, inspectie en tests</b>
Onderbeensteun (Lower Leg Support)/voetplaat (Foot Plate): <ul style="list-style-type: none"><li>Geen zichtbare, blootliggende koolstofvezel.</li> <li>Geen zichtbare beschadigingen of scherpe randen, bijvoorbeeld scheuren.</li> <li>Controleer of de voetplaat (Foot Plate) goed in de onderbeensteun (Lower Leg Support) past.</li></ul>

Beenkussen (Leg Pad): <ul style="list-style-type: none"><li>Geen zichtbare schade of scheuren.</li></ul>
Voetriem (Foot Strap)/beenriem (Leg Strap): <ul style="list-style-type: none"><li>Geen zichtbare schade of scheuren.</li> <li>Het klittenband moet stevig vastzitten.</li></ul>

Tafelriem (Table Strap): <ul style="list-style-type: none"><li>Geen zichtbare schade of scheuren.</li> <li>De gesp kan soepel worden los- en vastgemaakt.</li></ul>
---

<b>Verpakking</b>
Het is niet nodig het hulpmiddel na desinfectie te verpakken.

<b>Sterilisatie</b>
Dit hulpmiddel mag niet worden gesteriliseerd.

<b>Opslag</b>
Nadat de desinfectie is voltooid en alle onderdelen droog zijn, moet het hulpmiddel in een droge omgeving worden bewaard.

<b>Afval</b>
Het gebruikte product is een biologisch gevaar, dat volgens de desinfectie-instructies moet worden gedesinfecteerd. Raadpleeg de fabrikant via <a href="mailto:adeptmedical@adept.co.nz">adeptmedical@adept.co.nz</a> voor specificaties van het materiaal, indien nodig. Gooi het hulpmiddel weg volgens het interne kliniekbeleid, rekening houdend met de plaatselijke voorschriften.

<b>Ernstige incidenten</b>
Elk ernstig incident in verband met het hulpmiddel moet onmiddellijk worden gemeld aan: <ul style="list-style-type: none"><li>De bevoegde autoriteit van de toepasselijke lidstaat.</li> <li>De fabrikant via het formulier voor het melden van ernstige incidenten dat u op de website van Adept Medical vindt: <a href="http://www.adeptmedical.com/contact/serious-incident-reporting-form">www.adeptmedical.com/contact/serious-incident-reporting-form</a></li></ul>

De fabrikant van het medische hulpmiddel heeft de bovenstaande instructies goedgekeurd voor de voorbereiding van een medisch hulpmiddel voor hergebruik. Het blijft de verantwoordelijkheid van de verwerker om ervoor te zorgen dat de verwerking, zoals die feitelijk wordt uitgevoerd met behulp van apparatuur, materialen en personeel in de verwerkingsfaciliteit, het gewenste resultaat oplevert. Dit vereist verificatie en/of validatie en routinematige controle van het proces.
---

Bezoek de website van Adept Medical voor uitgebreide visuele instructies voor dit hulpmiddel. <a href="http://www.adeptmedical.com">www.adeptmedical.com</a>
--

	Stranica
Upute za upotrebu	<b>1</b>
Registracija proizvoda	<b>2</b>
Sadržaj	<b>3</b>
Raspakiravanje	<b>4</b>
Sastavljanje	<b>4</b>
Postavljanje	<b>4</b>
Trake za zatezanje stola u svrhu imobilizacije naprave	<b>5</b>
Uklanjanje podloška za stopalo Foot Plate	<b>7</b>
Odvojivi dijelovi	<b>7</b>
Oznaka proizvoda	<b>7</b>
Oznake komponenti	<b>7</b>
Provjera stola za snimanje	<b>7</b>
Izvršena je procjena rizika za rad proizvoda u okviru specifikacija navedenih u nastavku	<b>7</b>
Nagib stola: +/- 15° bočno i uzdužno	<b>7</b>
Površina stola: ravna	<b>7</b>
Osnovne informacije	<b>8</b>

<b>Informacije</b>
<b>Predviđena namjena</b>
Podržavanje i imobiliziranje noge pacijenta u ležećem položaju tijekom endovaskularnog zahvata.
<b>Predviđeni korisnik / zahtjev za osposobljavanje</b>
Predviđeno je da proizvodom rukuje stručno medicinsko osoblje.
<b>Ciljna skupina pacijenata</b>
Odrasli pacijenti muškog ili ženskog spola kojima je potrebno dijagnostičko snimanje i terapija vođena slikom.
<b>Kontraindikacije</b>
<ul style="list-style-type: none"><li>Ne smije se upotrebljavati za pacijente koji imaju više od 135<span> </span>kg.</li> <li>Nije za pedijatrijsku upotrebu.</li></ul>
<b>Upozorenja</b>
<ul style="list-style-type: none"><li>Prije primjene obavezno pročitajte Upute za upotrebu.</li> <li>Pobrinite se da se izvrši pripremno čišćenje.</li> <li>Pobrinite se da se izvrši pripremna provjera proizvoda.</li> <li>Nemojte previše stegnuti trake za nogu i stopalo Leg Strap i Foot Strap.</li> <li>Nemojte upotrebljavati za pacijente koji imaju više od 135<span> </span>kg.</li></ul>
<b>Smjernice za prijavu štetnih događaja</b>
Svoje pritužbe i podatke o štetnim događajima pošaljite nam putem obrasca na: www.adeptmedical.com/contact/service-and-repairs

<b>Početne provjere i čišćenje</b>
<b>Čišćenje</b>
Pogledajte upute za dezinfekciju.
<b>Provjere proizvoda</b>
<ul style="list-style-type: none"><li>Uvjerite se da nema pukotina na površini od ugljičnih vlakana.</li> <li>Uvjerite se da nema vidljivih oštećenja ili oštrih rubova, npr. pukotina.</li> <li>Straps: Uvjerite se da na njima nema oštećena, npr. poderotina.</li> <li>Table Strap: Uvjerite se da se kopča može neometano zakopčati i otkopčati.</li> <li>Table Strap: Uvjerite se da je traka za stol Table Strap čvrsto i pravilno postavljena (stranica 5).</li> <li>Foot/Leg Strap: Uvjerite se da su trake čvrsto i pravilno postavljene (stranica 6) .</li> <li>Foot Plate: Uvjerite se da je podložak Foot Plate pravilno postavljen i do kraja umetnut u svoj utor.</li></ul>

#### Dezinfekcija

#### Upozorenja

- Nedovoljno čišćenje može ugroziti postupak dezinfekcije i dovesti do prijenosa patogena.
- Nemojte upotrebljavati proizvode za dezinfekciju ni abrazivna/korozivna sredstva koja nisu na popisu odobrenih sredstava za čišćenje.
- Uvijek pročitajte upute proizvođača i u sigurnosno-tehničkom listu pronađite proizvode za čišćenje i dezinfekciju.
- Nemojte primjenjivati ​​postupke čišćenja koji se provode na temperaturi višoj od 65 °C / 149 °F.

<b>Ograničenja obrade</b>
Prestanite s korištenjem ako:
<ul style="list-style-type: none"><li>Uočite bilo kakve pukotine ili napuknuća.</li> <li>Uočite izložena ugljična vlakna.</li> <li>Podložak Foot Plate nije dobro pričvršćen za postolje Lower Leg Support Base.</li> <li>Uočite poderotine na ulošku za nogu Leg Pad ili na bilo kojoj Strap traci.</li> <li>Ako se čičak na traci Leg/Foot Strap ne spaja čvrsto.</li> <li>Ako se kopča na traci Table Strap ne zakopčava čvrsto.</li></ul>

<b>Upute za dezinfekciju</b>

<b>Početni postupak na mjestu upotrebe</b>
Važno je očistiti proizvod nakon što se raspakira i nakon svake upotrebe. Pobrinite se da se sve površine, uključujući spojeve, objumice, šupljine, držače i ručice, temeljito očiste nakon upotrebe kako bi se uklonile sve nakupljene onečišćujuće tvari koje mogu biti prisutne nakon postupka.

<b>Priprema prije čišćenja</b>
<ul style="list-style-type: none"><li>Lower Leg Support Base: Uklonite postolje s ležaja.</li> <li>Foot Plate: Odvojite podložak Foot Plate s postolja Base.</li> <li>Leg Pad: Uklonite umetak s postolja Base.</li> <li>Leg Strap: Otkopčajte traku, tj. uvjerite se da su dvije strane čička odvojene jedna od druge.</li> <li>Foot Strap: Otkopčajte traku, tj. uvjerite se da su dvije strane čička odvojene jedna od druge.</li> <li>Table Strap: Otkopčajte kopču na traci.</li></ul> <p>www.adeptmedical.com/imaging-table-accessories/lower-leg-support/training?group=cleaning-instructions</p>

<b>Čišćenje: ručno</b>
Lower Leg Support Base / Foot Plate <ul style="list-style-type: none"><li>Ako postoji vidljiva prljavština, isperite je vodom.</li> <li>Ove komponente mogu se uroniti u vodu.</li> <li>Po potrebi možete upotrijebiti mekanu četku.</li> <li>Pobrinite se da se prljavština u potpunosti ukloni.</li> <li>Pobrinite se da sve komponente budu potpuno suhe prije nego što ih dezinficirate.</li></ul>

Leg Pad / Leg Strap / Foot Strap / Table Strap <ul style="list-style-type: none"><li>Ako postoji vidljiva prljavština, isperite je vodom.</li> <li>Ove se komponente ne smiju uroniti u vodu.</li> <li>Po potrebi možete upotrijebiti mekanu četku.</li> <li>Pobrinite se da se prljavština u potpunosti ukloni.</li> <li>Pobrinite se da sve komponente budu potpuno suhe prije nego što ih dezinficirate.</li></ul>
---

<b>Dezinfekcija</b>
Pogledajte popis odobrenih sredstava za čišćenje kako biste odabrali odgovarajuće dezinfekcijsko sredstvo.

Lower Leg Support: <ul style="list-style-type: none"><li>Obrišite sve površine, uključujući i unutrašnjost utora podloška Foot Plate, krpom navlaženom odobrenim dezinfekcijskim sredstvom.</li></ul>
Foot Plate / Leg Pad / Leg Strap / Foot Strap i Table Strap: <ul style="list-style-type: none"><li>Obrišite sve površine krpom navlaženom odobrenim dezinfekcijskim sredstvom.</li></ul>

<b>Popis odobrenih sredstava za čišćenje</b>

<b>Odobrena dezinfekcijska sredstva prema markama</b>
<b>Teuća sredstva:</b>
ORION Laboratories – 70 <span> </span> %-tni izopropilni alkohol
Jaychem Industries – 2 <span> </span> %-tni klorheksidin / 70 <span> </span> %-tni alkohol
Betadine – povidon jod (7,5 <span> </span> %)
BODE Chemie GmbH – Kohrsolin FF
STERIS – Coverage Spray TB
CaviCide – Metrex Research

<b>Topiva sredstva:</b>
Du Pont – Tablete Rely+On Virkon

<b>Maramice za brisanje:</b>
PDI Sani-Cloth Bleach
PDI Sani-Cloth AF3
Reynard Health Supplies – krpe za dezinfekciju površina
Metrex Research – CaviWipes
Clinell Wipes – Universal (zelene)
Clorox krpe na bazi vodikova peroksida

<b>Odobreni aktivni sastojci dezinfekcijskih sredstava</b>
<b>Na bazi kiseline:</b>
≤10 <span> </span> % jabučne kiseline, CAS br. 6915-15-7
≤6 <span> </span> % sulfaminske kiseline, CAS br. 5329-14-6

<b>Na bazi alkohola:</b>
≤5 <span> </span> % 2-butoksietanola, CAS br. 111-76-2
≤10 <span> </span> % butidiglikola, CAS br. 112-34-5
≤70 <span> </span> % izopropilnog alkohola (propan-2-ol), CAS br. 67-63-0
≤10 <span> </span> % tridekanola, CAS br. 69011-36-5
<10 <span> </span> % alkohola, C12-14, etoksiliranog, CAS br. 68439-50-9
≤70 <span> </span> % denaturiranog etanola, CAS br. 64-17-5

<b>Na bazi sulfata:</b>
≤0,1 <span> </span> % PHMB-a, CAS br. 27083-27-8
≤55 <span> </span> % kalijeva peroksimonosulfata, CAS br. 70693-62-8
≤3 <span> </span> % kalijeva persulfata, CAS br. 7727-21-1

<b>Na bazi amonijaka i klorida:</b>
≤5 <span> </span> % benzalkonijeva klorida, CAS br. 68424-85-1
≤0,28 <span> </span> % benzetonijeva klorida, CAS br. 121-54-0
≤10 <span> </span> % benzil-C23-18-alkil-dimetil amonijeva klorida, CAS br. 8001-54-5
≤2 <span> </span> % klorheksidina, CAS br. 55-56-1
≤10 <span> </span> % didecil dimetil amonijeva klorida, CAS br. 7173-51-5
≤0,5 <span> </span> % kvaternih amonijevih spojeva, CAS br. 68956-79-6
<5 <span> </span> % benzil-C12-18 alkildimetilamonijevih klorida, CAS br. 63891-01-5

<b>Ostala sredstva:</b>
≤10 <span> </span> % glutarala, CAS br. 111-30-8
≤0,63 <span> </span> % natrijeva hipoklorita, CAS br. 7681-52-9
≤7,5 <span> </span> % povidon joda, CAS br. 25655-41-8
0,5 <span> </span> % dinatrijeva kokoamfo dipropionata, CAS br. 68604-71-7
≤1,4 <span> </span> % vodikova peroksida, CAS br. 7722-84-1

Najnoviji popis odobrenih sredstava za čišćenje pronađite na www.adeptmedical.com/resources
---

<b>Sušenje</b>
Sve komponente moraju se temeljito osušiti prije upotrebe.
<b>Održavanje, inspekcije i ispitivanja</b>
Lower Leg Support / Foot Plate: <ul style="list-style-type: none"><li>Uvjerite se da nema izloženih ugljičnih vlakana.</li> <li>Uvjerite se da nema vidljivih oštećenja ili oštrih rubova, npr. pukotina.</li> <li>Uvjerite se da je podložak Foot Plate čvrsto postavljen u podupirač Lower Leg Support.</li></ul>

Leg Pad: <ul style="list-style-type: none"><li>Uvjerite se da nema vidljivog oštećenja ili poderotina.</li></ul>
Foot Strap / Leg Strap: <ul style="list-style-type: none"><li>Uvjerite se da nema vidljivog oštećenja ili poderotina.</li> <li>Čičak mora biti čvrsto spojen.</li></ul>
Table Strap: <ul style="list-style-type: none"><li>Uvjerite se da nema vidljivog oštećenja ili poderotina.</li> <li>Uvjerite se da se kopča može neometano zakopčati i otkopčati.</li></ul>

<b>Pakiranje</b>
Nije potrebno pakirati proizvod nakon dezinfekcije.

<b>Sterilizacija</b>
Uređaj se ne smije podvrgavati sterilizaciji.

<b>Čuvanje</b>
Nakon što se proizvod dezinficira i nakon što se sve komponente osuše, proizvod je potrebno čuvati na suhom mjestu.

<b>Odlaganje</b>
Iskorišteni proizvod predstavlja biološku opasnost, stoga ga dekontaminirajte u skladu s uputama za dezinfekciju. Ako su vam potrebne specifikacije materijala, obratite se proizvođaču na adeptmedical@adept.co.nz. Proizvod odložite u skladu s internim pravilima klinike i lokalnim propisima.

<b>Ozbiljni štetni događaji</b>
Sve ozbiljne štetne događaje koji nastanu u povezanosti s proizvodom potrebno je odmah prijaviti: <ul style="list-style-type: none"><li>Nadležnom tijelu odgovarajuće države članice.</li> <li>Proizvođaču putem obrasca za prijavu ozbiljnih štetnih događaja koji se može pronaći na mrežnom mjestu tvrtke Adept Medical: www.adeptmedical.com/contact/serious-incident-reporting-form</li></ul>

Valjanost navedenih uputa potvrdio je proizvođač medicinskog uređaja te se prema njima medicinski uređaj može pripremiti za ponovnu upotrebu. Odgovornost je obrađivača osigurati da obrada koja se vrši uz upotrebu opreme, materijala i osoblja u ustanovi za obradu postigne željeni rezultat. To zahtijeva potvrdu i/ili provjeru valjanosti te redoviti nadzor nad postupkom.
--

Posjetite web stranicu Adept Medical za detaljne vizualne upute vezane uz ovaj uređaj. www.adeptmedical.com
---

	<b>Strana</b>
<b>Návod k použití</b>	<b>1</b>
<b>Registrace výrobku</b>	<b>2</b>
<b>Obsah</b>	<b>3</b>
<b>Vybalení</b>	<b>4</b>
<b>Sestavení</b>	<b>4</b>
<b>Nastavení</b>	<b>4</b>
Utahování popruhů Table Strap pro imobilizaci prostředku.	<b>5</b>
Odstranění desky Foot Plate	<b>7</b>
<b>Náhradní díly</b>	<b>7</b>
Kód výrobku	<b>7</b>
Kódy komponent	<b>7</b>
<b>Ověření tabulky obrázků</b>	<b>7</b>
U produktu bylo vyhodnoceno riziko, že funguje v rámci níže uvedených specifikací	<b>7</b>
Angulace stolu: +/- 15° laterálně a podélně	<b>7</b>
Povrch stolu: Plochý	<b>7</b>
<b>Základní informace</b>	<b>8</b>

<b>Informace</b>
<b>Zamýšlený účel</b>
K podepření a imobilizaci nohy ležícího pacienta během endovaskulární operace.
<b>Zamýšlený uživatel / požadavky na školení</b>
Určeno pro použití vyškolenými zdravotnickými odborníky.
<b>Cílová skupina pacientů</b>
Dospělý pacient, muž či žena, vyžadující diagnostické zobrazování a obrazem řízenou terapii.
<b>Kontraindikace</b>
<ul style="list-style-type: none"><li>Nepoužívat u pacientů s hmotností nad 135 kg.</li> <li>Není určeno pro použití u dětských pacientů.</li></ul>

<b>Varování a upozornění</b>
<ul style="list-style-type: none"><li>Před použitím si rozhodně nastudujte návod k použití.</li> <li>Zajistěte provedení přípravného čištění.</li> <li>Zajistěte, aby byla provedena přípravná kontrola výrobku.</li> <li>Popruhy Leg Strap a Foot Strap neutahujte příliš.</li> <li>Nepoužívejte u pacientů s hmotností nad 135 kg.</li></ul>

<b>Pokyny pro hlášení nežádoucích příhod</b>
V případě stížnosti na výrobky a v případě nežádoucích příhod vyplňte prosím formulář na internetových stránkách <span>www.adeptmedical.com/contact/service-and-repairs</span>

<b>Prvotní kontroly a čištění</b>
<b>Čištění</b>
Viz část Pokyny k dezinfekci.
<b>Kontroly výrobku</b>
<ul style="list-style-type: none"><li>Žádné porušení povrchu z uhlíkových vláken.</li> <li>Žádné viditelné poškození nebo ostré hrany, např. praskliny.</li> <li>Popruhy: Přesvědčte se, že nejsou poškozené, např. roztržené.</li> <li>Table Strap: Přesvědčte se, že se přezka může zcela hladce zapínat a odepínat.</li> <li>Table Strap: Přesvědčte se, že je popruh Table Strap zajištěn a správně umístěn (strana 5).</li> <li>Foot/Leg Strap: Přesvědčte se, že jsou popruhy zajištěny a správně umístěny (strana 6).</li> <li>Foot Plate: Přesvědčte se, že je deska Foot Plate správně umístěna v otvoru desky pro chodidla (Foot Plate Slot) a zcela zaaretována.</li></ul>

<b>Dezinfekce</b>
<b>Varování</b>
<ul style="list-style-type: none"><li>Nedostatečné čištění může ohrozit proces dezinfekce a vést k přenosu patogenů.</li> <li>Nepoužívejte žádné dezinfekční přípravky ani abrazivní/žíravé prostředky, které nejsou uvedeny na seznamu schválených čisticích prostředků.</li> <li>Vždy si přečtete pokyny výrobce a nahlédněte do bezpečnostního listu výrobce čisticích a dezinfekčních přípravků.</li> <li>Nepoužívejte žádné čisticí postupy, jejichž teplota přesahuje 65<span> </span>°C /149<span> </span>°F.</li></ul>
<b>Omezení zpracování</b>
Přerušete používání v těchto případech: <ul style="list-style-type: none"><li>Vyskyt prasklin nebo zlomů.</li> <li>Viditelná jakákolí obnažená uhlíková vlákna.</li> <li>Deska Foot Plate není bezpečně zasazena do základny Lower Leg Support Base.</li> <li>Na podložce Leg Pad nebo na některém z popruhů jsou patrné trhliny.</li> <li>Suchý zip na popruhu Leg Strap / Foot Strap není bezpečně zapnut.</li> <li>Přezka na popruhu Table Strap není bezpečně zapnutá.</li></ul>

<b>Pokyny k dezinfekci</b>
<b>Prvotní ošetření v místě použití</b>
Po vyjmutí z obalu a po každém zákroku je důležité výrobek vyčistit. Po použití zajistěte důkladné očištění všech oblastí včetně spojů, svorek, lůžek, držáků a pák, aby se odstranily veškeré nahromaděné nečistoty, které se mohou po zákroku vyskytnout.

<b>Příprava před čištěním</b>
<ul style="list-style-type: none"><li>Lower Leg Support Base: vytáhněte základnu z matrace.</li> <li>Foot Plate: Odpojte desku Foot Plate od základny Base.</li> <li>Leg Pad: Vytáhněte podložku ze základny Base.</li> <li>Leg Strap: Odepněte popruh, tj. zajistěte aby jednotlivé strany suchého zipu nebyly spojeny.</li> <li>Foot Strap: Odepněte popruh, tj. zajistěte aby jednotlivé strany suchého zipu nebyly spojeny.</li> <li>Table Strap: Rozepněte přezku na popruhu.</li></ul> <span>www.adeptmedical.com/imaging-table-accessories/lower-leg-support/training?group=cleaning-instructions</span>

<b>Čištění: ruční</b>
Lower Leg Support Base / Foot Plate <ul style="list-style-type: none"><li>V případě viditelného znečištění opláchněte vodou.</li> <li>Tyto komponenty lze zcela ponořit do vody.</li> <li>V případě potřeby lze použít kartáč s měkkými štětinami.</li> <li>Přesvědčte se, že je znečištění zcela odstraněno.</li> <li>Před dezinfekcí se ujistěte, že jsou všechny komponenty zcela suché.</li></ul>
Leg Pad / Leg Strap / Foot Strap / Table Strap <ul style="list-style-type: none"><li>V případě viditelného znečištění opláchněte vodou.</li> <li>Tyto komponenty by se neměly zcela ponořovat do vody.</li> <li>V případě potřeby lze použít kartáč s měkkými štětinami.</li> <li>Přesvědčte se, že je znečištění zcela odstraněno.</li> <li>Před dezinfekcí se ujistěte, že jsou všechny komponenty úplně suché.</li></ul>

<b>Dezinfekce</b>
Výběr vhodného dezinfekčního přípravku naleznete v seznamu schválených čisticích prostředků.

Lower Leg Support: <ul style="list-style-type: none"><li>Hadříkem navlhčeným ve schváleném dezinfekčním přípravku otřete všechny povrchy včetně vnitřní části otvoru na desce Foot Plate.</li></ul>
Foot Plate / Leg Pad / Leg Strap / Foot Strap a Table Strap: <ul style="list-style-type: none"><li>Hadříkem navlhčeným ve schváleném dezinfekčním přípravku otřete všechny povrchy.</li></ul>

<b>Seznam schválených čisticích prostředků</b>
<b>Schválené dezinfekční přípravky podle značek</b>
<b>Kapaliny:</b>
ORION Laboratories - 70% izopropylalkohol
Jaychem Industries - 2% chlorhexidin / 70% alkohol
Betadine - Jodovaný povidon (7,5%)
BODE Chemie GmbH - Kohrsolin FF
STERIS - Coverage Spray TB
CaviCide - Metrex Research
<b>Rozpustitelné:</b>
Du Pont - Tablety Rely+On Virkon Tablets
<b>Ubrousky na utírání povrchů:</b>
PDI Sani-Cloth Bleach
PDI Sani-Cloth AF3
Reynard Health Supplies - Dezinfekční ubrousky na utírání povrchů
Metrex Research - CaviWipes
Clinell Wipes - Universal (zelená)
Clorox Hydrogen Peroxide Wipes

<b>Schválené účinné složky dezinfekčních přípravků</b>
<b>Na bázi kyseliny:</b>
≤ 10% kyselina jablečná, CAS 6915-15-7
≤ 6% kyselina amidosulfonová, CAS 5329-14-6

<b>Na bázi alkoholu:</b>
≤ 5% 2-butoxyethanol, CAS 111-76-2
≤ 10% butylidiglykol, CAS 112-34-5
≤ 70% izopropylalkohol (propan-2-ol), CAS 67-63-0
≤ 10% tridekanol, CAS 69011-36-5
< 10% alkoholy, C12–14, ethoxylované, CAS 68439-50-9
≤70 <span> </span> % denaturovaný ethanol CAS 64-17-5

<b>Na bázi síranu:</b>
≤ 0,1% PHMB, CAS 27083-27-8
≤ 55% peroxymonosulfát draselný, CAS 70693-62-8
≤ 3% peroxidisíran draselný, CAS 7727-21-1

<b>Na bázi amoniaku a chloridů:</b>
≤ 5% chlorid benzalkonia, CAS 68424-85-1
≤ 0,28% benzethoniumchlorid, CAS 121-54-0
≤ 10% benzyl-C23-18-alkyl-dimethyl-ammonium-chlorid, CAS 8001-54-5
≤ 2% chlorhexidin, CAS 55-56-1
≤ 10% didecyldimethyl-ammonium-chlorid, CAS 7173-51-5
≤ 0,5% kvartérní čpavkové sloučeniny, CAS 68956-79-6
< 5% benzyl-C12-18-alkyldimethylammonium-chloridy, CAS 63891-01-5

<b>Ostatní:</b>
≤ 10% glutaraldehyd, CAS 111-30-8
≤ 0,63% chlornan sodný, CAS 7681-52-9
≤ 7,5% jodovaný povidon, CAS 25655-41-8
0,5% kokoamfodipropionát disodný, CAS68604-71-7
≤ 1,4% peroxid vodíku, CAS 7722-84-1

Přístup k nejnovějšímu seznamu schválených čisticích prostředků získáte na internetové adrese <span>www.adeptmedical.com/resources</span>
---

<b>Sušení</b>
Všechny komponenty by měly být před použitím důkladně vysušeny.
<b>Údržba, kontrola a testování</b>
Lower Leg Support / Foot Plate: <ul style="list-style-type: none"><li>Žádná viditelná obnažená uhlíková vlákna.</li> <li>Žádné viditelné poškození nebo ostré hrany, např. praskliny.</li> <li>Přesvědčte se, že deska Foot Plate bezpečně zapadá do opěrky Lower Leg Support.</li></ul>
Leg Pad: <ul style="list-style-type: none"><li>Žádné viditelné poškození nebo roztržení.</li></ul>
Foot Strap / Leg Strap: <ul style="list-style-type: none"><li>Žádné viditelné poškození nebo roztržení.</li> <li>Suchý zip by se měl bezpečně připevnit.</li></ul>
Table Strap: <ul style="list-style-type: none"><li>Žádné viditelné poškození nebo roztržení.</li> <li>Přezka se může zcela hladce zapínat a odepínat.</li></ul>

<b>Balení</b>
Po dezinfekci není nutně prostředek balit.
<b>Sterilizace</b>
Tento prostředek by neměl být sterilizován.

<b>Skladování</b>
Po dokončení dezinfekce a vysušení všech komponent by měl být prostředek skladován v suchém prostředí.

<b>Likvidace</b>
Použitý výrobek představuje biologické riziko. Dekontaminujte jej podle pokynů uvedených v návodu k dezinfekci a v případě potřeby se obraťte na výrobce na e-mailové adrese <span>adeptmedical@adept.co.nz</span> , aby vám poskytl specifikaci materiálu. Likvidujte v souladu s interními pravidly kliniky s přihlédnutím k místním předpisům.

<b>Závažné nežádoucí příhody</b>
Jakoukoli závažnou nežádoucí příhodu, ke které dojde v souvislosti s prostředkem, je třeba neprodleně nahlásit: <ul style="list-style-type: none"><li>Odpovědnému orgánu příslušného členského státu.</li> <li>Výrobci pomocí formuláře pro hlášení závažných nežádoucích příhod, který naleznete na webových stránkách společnosti Adept Medical: <span>www.adeptmedical.com/contact/serious-incident-reporting-form</span></li></ul>

Výše uvedené pokyny byly validovány výrobcem zdravotnického prostředku jako vhodné pro přípravu zdravotnického prostředku k opakovanému použití. Zpracovatel je nadále odpovědný za to, že zpracování, jak je skutečně prováděno pomocí zařízení, materiálů a personálu ve zpracovatelském zařízení, dosáhne požadovaného výsledku. To vyžaduje ověření a/nebo validaci a běžné monitorování procesu.
---

Navštivte webové stránky Adept Medical pro podrobné vizuální pokyny k tomuto zařízení. <span>www.adeptmedical.com</span>
--

	<b>Side</b>
<b>Brugsanvisning</b>	<b>1</b>
<b>Produktregistrering</b>	<b>2</b>
<b>Indhold</b>	<b>3</b>
<b>Udpakning</b>	<b>4</b>
<b>Montering</b>	<b>4</b>
<b>Opsætning</b>	<b>4</b>
Stram bordremmene for at immobilisere enheden	<b>5</b>
Fjerne Foot Plate	<b>7</b>
<b>Reserve dele</b>	<b>7</b>
Produktkode	<b>7</b>
Komponentkoder	<b>7</b>
<b>Bekræftelse af billedtabel</b>	<b>7</b>
Produktet er blevet risikovurderet til at fungere inden for nedenstående specifikationer	<b>7</b>
Bordvinkel: +/- 15° på langs og på tværs	<b>7</b>
Bordoverflade: Flad	<b>7</b>
<b>Væsentlige oplysninger</b>	<b>8</b>

#### Information

##### Tilsigtet formål

Til at støtte og immobilisere en liggende patients ben under endovaskulær kirurgi.

##### Tilsigtet bruger/Krav til uddannelse

Det er beregnet til at blive brugt af uddannet sundhedspersonale.

##### Patientmålgruppe

Voksen mandlig eller kvindelig patient, der har behov for diagnostisk billeddannelse og billedstyret behandling.

##### Kontraindikationer

- Må ikke bruges med patienter på over 135 kg.
- Ikke til pædiatrisk brug.

##### Advarsler og forsigtighedsregler

- Sørg for, at brugsanvisningen læses inden brug.
- Sørg for, at den klargørende rengøring er udført.
- Sørg for, at den klargørende produktkontrol er udført.
- Leg & Foot Straps må ikke strammes for meget.
- Må ikke bruges med patienter på over 135 kg.

##### Retningslinjer for indberetning af hændelser

For produktklager og hændelser bedes du udfylde formularen på [www.adeptmedical.com/contact/service-and-repairs](http://www.adeptmedical.com/contact/service-and-repairs)

#### Indledende kontroller og rengøring

##### Rengøring

Se desinfektionsvejledningen.

##### Produktkontroller

- Ingen brud i kulfiberoverfladen.
- Ingen synlige skader eller skarpe kanter, f.eks. revner.
- Remme: sørg for, at der ikke er skader, fx revner
- Table Strap: sørg for, at spændet kan spændes helt og opspændes uden problemer.
- Table Strap: sørg for, at Table Strap er sikkert og korrekt placeret (side 5).
- Foot/Leg Strap: sørg for, at stropperne er sikkert og korrekt placeret (side 6).
- Foot Plate: Sørg for, at fodpladen er placeret korrekt i Foot Plate-rillen og sidder helt i bund.

#### Desinfektion

##### Advarsler

- Utilstrækkelig rengøring kan kompromittere desinificeringsprocessen og medføre transmission af patogener.
- Brug ikke desinfektionsmidler eller slibende/ætsende stoffer, som ikke er på listen over godkendte rengøringsmidler.
- Læs altid producentens anvisninger og konsultér producentens sikkerhedsdatablad for rengørings- og desinfektionsmidler.
- Brug ikke nogen rengøringsprocedure, der overstiger 65 °C/149 °F.

##### Begrænsninger af behandling

Ophør med at bruge, hvis:

- der er revner eller brud til stede.
- fritlagte kulfibre er synlige.
- Fodpladen ikke passer sikkert ind i Lower Leg Support Base.
- Der observeres revner på Leg Pad eller en af stropperne.
- Krogen og løkken på Leg/Foot Strap ikke går sikkert i indgreb.
- Spændet på Table Strap ikke går sikkert i indgreb.

#### Desinfektionsvejledning

##### Indledende behandling på brugsstedet

Det er vigtigt at rengøre produktet, når det er taget ud af emballagen og efter hver procedure. Sørg for, at alle områder inklusive led, klemmer, sokler, beslag og håndtag rengøres grundigt efter brug for at fjerne enhver ophobning af forurenende stoffer, der kan være til stede efter en procedure.

##### Klargøring før rengøring

- Lower Leg Support Base: Fjern bunden fra madrassen.
- Foot Plate: Frigør Foot Plate fra Base.
- Leg Pad: Fjern puden fra Base.
- Leg Strap: Frigør remmen, dvs. sørg for, at "krog"- og "løkke"-siderne ikke er forbundet.
- Foot Strap: Frigør remmen, dvs. sørg for, at "krog"- og "løkke"-siderne ikke er forbundet.
- Table Strap: Frigør spændet på remmen.

[www.adeptmedical.com/imaging-table-accessories/lower-leg-support/training?group=cleaning-instructions](http://www.adeptmedical.com/imaging-table-accessories/lower-leg-support/training?group=cleaning-instructions)

##### Rengøring: Manuel

Lower Leg Support Base/Foot Plate

- Rengør med vand, hvis de er synligt tilsmudsede.
- Disse komponenter kan nedsænkes helt i vand.
- En blød børste kan bruges om nødvendigt.
- Sørg for, at snavset er helt fjernet.
- Sørg for, at alle komponenter er helt tørre inden desinfektion.

Leg Pad/Leg Strap/Foot Strap/Table Strap

- Rengør med vand, hvis de er synligt tilsmudsede.
- Disse komponenter må ikke nedsænkes helt i vand.
- En blød børste kan bruges, hvis det er nødvendigt.
- Sørg for, at snavset er helt fjernet.
- Sørg for, at alle komponenter er helt tørre inden desinfektion.

##### Desinfektion

Se listen over godkendte rengøringsmidler for valg af et passende desinfektionsmiddel.

Lower Leg Support:

- Tør alle overflader, herunder indersiden af Foot Plate-rillen, af med en klud fugtet med et godkendt desinfektionsmiddel.

Foot Plate/Leg Pad/Leg Strap/Foot Strap og Table Strap:

- Tør alle overflader med en klud fugtet med et godkendt desinfektionsmiddel.

#### Liste over godkendte rengøringsmidler

##### Godkendte desinfektionsmidler efter mærke

##### Væsker:

ORION Laboratories - 70 % isopropylalkohol
Jaychem Industries - 2 % klorhexidin / 70 % alkohol
Betadine - Povidonjod (7,5 %)
BODE Chemie GmbH - Kohrsolin FF
STERIS - Coverage Spray TB
CaviCide -Metrex Research

##### Opløselig:

Du Pont - Rely+On Virkon-tabletter

##### Overfladeservietter:

PDI Sani-Cloth Bleach
PDI Sani-Cloth AF3
Reynard Health Supplies - Overfladedesinificeringsservietter
Metrex Research - Cavi-servietter
Clinell-servietter - Universal (grøn)
Clorox hydrogenperoxidservietter

##### Godkendte aktive desinfektionsingredienser

##### Syrebaseret:

≤10 % malinsyre CAS 6915-15-7
≤6 % sulfaminsyre CAS 5329-14-6

##### Alkoholbaseret:

≤5 % 2-butoxyethanol CAS 111-76-2
≤10 % butyldiglycol CAS 112-34-5
≤70 % isopropylalkohol (propan-2-ol) CAS 67-63-0
≤10 % tridecanol CAS 69011-36-5
<10 % alkohol, C12-14, ethoxyleret CAS 68439-50-9
≤70 % denatureret ethanol CAS 64-17-5

##### Sulfatbaseret:

≤0,1 % PHMB CAS 27083-27-8
≤55 % kaliumperoxymonosulfat CAS 70693-62-8
≤3 % kaliumpersulfat CAS 7727-21-1

##### Ammonium- og kloridbaseret:

≤5 % benzalkoniumklorid CAS 68424-85-1
≤0,28 % benzalkoniumklorid CAS 121-54-0
≤10 % benzyl-C23-18-alkyl-dimethyl ammoniumklorid CAS 8001-54-5
≤2 % Klorhexidin CAS 55-56-1
≤10 % didecyl-dimethylammoniumklorid CAS 7173-51-5
≤0,5 % kvaternære ammoniumforbindelser CAS 68956-79-6
<5 % benzyl-C 12-18 alkylidimethylammoniumklorider CAS 63891-01-5

##### Andre:

≤10 % glutaral CAS 111-30-8
≤0,63 % natriumhypoklorit CAS 7681-52-9
≤7,5 % povidonjod CAS 25655-41-8
0,5 % dinatrium cocoamphodipropionat CAS 68604-71-7
≤1,4 % hydrogenperoxid CAS 7722-84-1

Få adgang til den seneste liste over godkendte rengøringsmidler via [www.adeptmedical.com/resources](http://www.adeptmedical.com/resources)

##### Tørring

Alle komponenter skal tørres grundigt før brug.

##### Vedligeholdelse, inspektion og afprøvning

Lower Leg Support/Foot Plate:

- Ingen fritlagte kulfibre er synlige.
- Ingen synlige skader eller skarpe kanter, f.eks. revner.
- Sørg for, at Foot Plate  passer sikkert ind i Lower Leg Support.

Leg Pad:

- Ingen synlige skader eller revner.

Foot Strap/Leg Strap:

- Ingen synlige skader eller revner.
- Krogen og løkken skal være sikkert fastgjort.

Table Strap:

- Ingen synlige skader eller revner.
- Spændet kan spændes helt og opspændes uden problemer.

##### Emballage

Det er ikke nødvendigt at emballere enheden efter desinificering.

##### Sterilisering

Enheden bør ikke udsættes for sterilisationsprocesser.

##### Opbevaring

Når desinificeringen er afsluttet, og alle komponenter er tørre, skal enheden opbevares i et tørt miljø.

#### Bortskaffelse

Det brugte produkt er en biologisk fare, og det skal dekontamineres i henhold til anvisningerne i desinfektionsvejledningen. Kontakt producenten på [adeptmedical@adept.co.nz](mailto:adeptmedical@adept.co.nz) for at få en materialespecifikation, hvis det kræves. Bortskaffes i henhold til intern klinikpolitik under hensyntagen til lokale regler.

#### Alvorlige hændelser

Enhver alvorlig hændelse, der opstår i forbindelse med enheden, skal straks rapporteres til:

- Den kompetente myndighed i den relevante medlemsstat.
- Producenten ved at bruge formularen til rapportering af alvorlige hændelser, der findes på Adept Medical-webstedet: [www.adeptmedical.com/contact/serious-incident-reporting-form](http://www.adeptmedical.com/contact/serious-incident-reporting-form)

Instruktionerne ovenfor er valideret af producenten af det medicinske udstyr som værende i stand til at klargøre medicinsk udstyr til genbrug. Det forbliver behandlerens ansvar at sikre, at behandlingen, som faktisk udføres ved hjælp af udstyr, materialer og personale på behandlingsanlægget, opnår det ønskede resultat. Dette kræver verifikation og/eller validering og rutinemæssig overvågning af processen.

Besøg Adept Medicals hjemmeside for detaljerede visuelle instruktioner vedrørende dette produkt. [www.adeptmedical.com](http://www.adeptmedical.com)

	<b>Sivu</b>
<b>Käyttöohje</b>	<b>1</b>
<b>Tuoterekisteröinti</b>	<b>2</b>
<b>Sisällys</b>	<b>3</b>
<b>Purkaminen pakkauksesta</b>	<b>4</b>
<b>Kokoaminen</b>	<b>4</b>
<b>Käyttöönotto</b>	<b>4</b>
Pöytänauhojen kiristäminen laitteen liikkumisen estämiseksi	<b>5</b>
Foot Plate -levyn poistaminen	<b>7</b>
<b>Varaosat</b>	<b>7</b>
Tuotekoodi	<b>7</b>
Osien koodit	<b>7</b>
<b>Kuvataulukon vahvistus</b>	<b>7</b>
Tuotteen on riskinarvioinnissa todettu toimivan alla olevien teknisten määritysten mukaisesti	<b>7</b>
Pöydän kallistus: +/- 15° leveys- ja pituussuunnissa	<b>7</b>
Pöydän pinta: tasainen	<b>7</b>
<b>Tärkeät Tiedot</b>	<b>8</b>

#### Yleistiedot

##### Käyttötarkoitus

Selällään makaavan potilaan käsivarren tukeminen suonensisäisen leikkauksen aikana

##### Suunniteltu käyttäjä/koulutusvaatimus

Tarkoitettu koulutettujen terveydenhuollon ammattihenkilöiden käyttöön.

##### Kohdennettu potilasryhmä

Kohdennettu potilasryhmä on aikuiset mies- tai naispuoliset diagnostista kuvantamista ja kuvantamisohjattua hoitoa tarvitsevat potilaat.

##### Vasta-aiheet

- Ei saa käyttää, jos potilaan paino on yli 135 kg.
- Ei sovi pediatriseen käyttöön.

##### Varoitukset ja huomiot

- Varmista käyttöohjeen lukeminen ennen käyttöä.
- Varmista valmistelupuhdistuksen suorittaminen.
- Varmista valmistelevan tuotetarkastuksen suorittaminen.
- Älä ylikiristä Leg Strap- ja Foot Strap -nauhoja.
- Ei saa käyttää, jos potilaan paino on yli 135 kg.

##### Vaaratilanteiden ilmoittamisohjeet

Tee valitus tuotteesta tai ilmoita vaaratilanteesta täyttämällä lomake osoitteessa [www.adeptmedical.com/contact/service-and-repairs](http://www.adeptmedical.com/contact/service-and-repairs)

#### Alkutarkastukset ja puhdistaminen

##### Puhdistaminen

Katso kohdasta Desinfiointiohjeet.

##### Tuotetarkastukset

- Hiilikuitupinnassa ei ole halkeamaa.
- Ei näy silminnähtäviä vaurioita tai teräviä reunoja, esim. halkeamia.
- Nauhat: varmista ettei ole vaurioita, esim. repeämiä.
- Table Strap: varmista, että solki lukittuu ja avautuu sujuvasti.
- Table Strap: varmista, että Table Strap on asetettu ja kiinnitetty oikein (sivu 5).
- Foot/Leg Strap: varmista, että nauhat on asetettu ja kiinnitetty oikein (sivu 6).
- Foot Plate: varmista, että Foot Plate on asetettu oikein aukkoonsa (Foot Plate Slot) ja kunnolla lukittunut.

### Desinfiointi

##### Varoitukset

- Riittämätön puhdistus voi vaarantaa desinfioinnin ja aiheuttaa taudinaiheuttajien tarttumista.
- Älä käytä mitään hankaavia/syövyttäviä desinfiointiaineita, jotka eivät ole hyväksytyjen puhdistusaineiden luettelossa.
- Lue aina desinfiointituotteen valmistajan ohjeet ja perehdy käyttöturvallisuustiedotteeseen.
- Älä käytä mitään puhdistusmenettelyä, jossa lämpötila ylittää 65 °C / 149 °F.

##### Desinfioinnin rajoitukset

Keskeytä käyttö seuraavissa tapauksissa:

- Havaitaan halkeamia tai rikkoutumisia.
- Hiilikuitua näkyy vähänkin paljaana.
- Foot Plate ei mahdu kunnolla Lower Leg Support Base -jalustaan.
- Leg Pad -tyynyssä tai jossakin nauhoista havaitaan repeytymiä.
- Leg/Foot Strap -nauhojen tarranauha ei kiinnity kunnolla.
- Table Strap -nauhojen solki ei lukitu kunnolla.

#### Desinfiointiohjeet

##### Ensimmäinen desinfiointi käyttöpaikalla

On tärkeää puhdistaa tuote pakkauksesta poistamisen ja jokaisen toimenpiteen jälkeen. Varmista kaikkien liitosten, puristimien, vastakkeiden, pidikkeiden ja vipujen puhdistaminen käytön jälkeen huolellisesti kaikista mahdollisista vierasaineen kertymistä seuraavalla menettelyllä.

##### Valmistelut ennen puhdistamista

- Lower Leg Support Base: irrota jalusta patjasta.
- Foot Plate: irrota Foot Plate -levy Base-jalustasta.
- Leg Pad: irrota pehmusteet Base-jalustasta.
- Leg Strap: avaa nauha, eli varmista etteivät tarranauhan puolet kosketa toisiaan.
- Foot Strap: avaa nauha, eli varmista etteivät tarranauhan puolet kosketa toisiaan.
- Table Strap: avaa nauhan solki.

[www.adeptmedical.com/imaging-table-accessories/lower-leg-support/training?group=cleaning-instructions](http://www.adeptmedical.com/imaging-table-accessories/lower-leg-support/training?group=cleaning-instructions)

##### Puhdistaminen: käsin

Lower Leg Support Base/Foot Plate

- Jos näkyvää likaa on, huuhtele vedellä.
- Nämä osat voidaan upottaa kokonaan veteen.
- Tarvittaessa voidaan käyttää pehmeää harjaa.
- Varmista lian poistaminen kokonaan.
- Varmista osien kuivuminen kokonaan ennen desinfiointia.

Leg Pad/Leg Strap/Foot Strap/Table Strap

- Jos näkyvää likaa on, huuhtele vedellä.
- Näitä osia ei tule upottaa kokonaan veteen.
- Pehmeää harjaa voidaan käyttää tarvittaessa.
- Varmista lian poistaminen kokonaan.
- Varmista osien kuivuminen kokonaan ennen desinfiointia.

##### Desinfiointi

Käytä sopivan desinfiointiaineen valinnassa Hyväksytyjen puhdistusaineiden luetteloa.

##### Lower Leg Support:

- Pyyhi kaikki pinnat, mukaan lukien Foot Plate -ura, hyväksytyllä desinfiointiaineella kostutetulla liinalla.

Foot Plate/Leg Pad/Leg Strap/Foot Strap ja Table Strap:

- Pyyhi kaikki pinnat hyväksytyllä desinfiointiaineella kostutetulla liinalla.

### Hyväksytyjen puhdistusaineiden luettelo

##### Hyväksytyt puhdistusaineet tuotemerkeittäin

##### Nesteeet:

ORION Laboratories - 70 % isopropyylialkoholia

Jaychem Industries - 2 % kloroheksidiiniä / 70 % alkoholia

Betadine - Jodattu povidoni (7,5 %)

BODE Chemie GmbH - Kohrsolin FF

STERIS - Coverage Spray TB

CaviCide - Metrex Research

##### Liukenevat:

DuPont - Rely+On Virkon -tabletit

##### Pyyhkeet:

PDI Sani-Cloth Bleach

PDI Sani-Cloth AF3

Reynard Health Supplies - Surface Disinfectant Wipes

Metrex Research - Cavi Wipes

Clinell Wipes - Universal (vihreä)

Clorox vetyperoksidipyyhkeet

### Hyväksytyt desinfiointitehoaineet

##### Happopohjaiset:

≤ 10 % omenahappoa, CAS 6915-15-7

≤ 6 % sulfamiinihappoa, CAS 5329-14-6.

##### Alkoholipohjaiset:

≤ 5 % 2-butoksietanolia, CAS 111-76-2

≤ 10 % butyylidiglykolia, CAS 112-34-5

≤ 70 % isopropyylialkoholia (propan-2-oli), CAS 67-63-0

≤ 10 % tridekanolia, CAS 69011-36-5

< 10 % alkoholeja, C12-14, etoksyloituja, CAS 68439-50-9.

≤ 70 % denaturoitua etanolia, CAS 64-17-5

##### Sulfaattipohjaiset:

≤ 0,1 % PHMB:tä, CAS 27083-27-8

≤ 55 % kaliumperoksimonosulfaattia, CAS 70693-62-8

≤ 3 % kaliumpersulfaattia, CAS 7727-21-1.

##### Ammonium- ja klooripohjaiset:

≤ 5 % bentsalkoniumkloridia, CAS 68424-85-1

≤ 0,28 % bentsetonikloridia, CAS 121-54-0

≤ 10 % bentsyyli-C23-18-alkyyliidimetyyliammoniumkloridia, CAS 8001-54-5

≤ 2 % kloroheksidiiniä, CAS 55-56-1

≤ 10 % didekyyliidimetyyliammoniumkloridia, CAS 7173-51-5

≤ 0,5 % kvaternaarisia ammoniumyhdisteitä, CAS 68956-79-6

< 5 % bentsyyli-C12-18-alkyyliimetyyliammoniumklorideja, CAS 63891-01-5.

##### Muut:

≤ 10 % glutaaria, CAS 111-30-8

≤ 0,63 % natriumhypokloriittia, CAS 7681-52-9

≤ 7,5 % jodattua povidonia, CAS 25655-41-8

0,5 % dinatriumkokoamfodipropionaattia, CAS 68604-71-7.

≤ 1,4 % vetyperoksidia, CAS 7722-84-1

##### Käytä viimeisintä hyväksytyjen puhdistusaineiden luetteloa osoitteessa

[www.adeptmedical.com/resources](http://www.adeptmedical.com/resources)

##### Kuivaaminen

Kaikki osat on kuivattava huolellisesti ennen käyttöä.

##### Huolto, tarkastukset ja testaus

Lower Leg Support/Foot Plate:

- Hiilikuitua ei näy paljaana.
- Ei näy silminnähtäviä vaurioita tai teräviä reunoja, esim. halkeamia.
- Varmista, että Foot Plate on tukevasti paikallaan Lower Leg Support -tuessa.

Leg Pad:

- Ei näkyviä repeämiä tai muita vaurioita.

Foot Strap/Leg Strap:

- Ei näkyviä repeämiä tai muita vaurioita.
- Tarranauhan tulee kiinnittyä kunnolla.

Table Strap:

- Ei näkyviä repeämiä tai muita vaurioita.
- Solki lukittuu ja avautuu sujuvasti.

#### Pakkaaminen

Laitetta ei tarvitse pakata desinfioinnin jälkeen.

##### Sterilointi

Laitteelle ei tule tehdä sterilointitoimenpiteitä.

##### Säilytys

Desinfioinnin valmistuttua ja kaikkien osien kuivuttua laitetta tulee säilyttää kuivassa ympäristössä.

#### Hävittäminen

Käytetty tuote on biovaarallinen, ja se on dekontaminoitava desinfiointiohjeiden mukaisesti. Tarvittaessa tiedot materiaaleista on pyydetävä valmistajalta osoitteesta [adeptmedical@adept.co.nz](mailto:adeptmedical@adept.co.nz). Hävitä laitoksen käytännön mukaisesti huomioiden paikallisesti sovellettavat säädökset.

#### Vakavat tapahtumat

Kaikista laitteeseen liittyvistä vakavista tapahtumista on ilmoitettava välittömästi:

- Soveltuvan jäsenvaltion toimivaltainen viranomainen.
- Valmistaja käyttää Adept Medical -sivustolta löytyvää vakavien vaaratilanteiden ilmoituslomaketta: [www.adeptmedical.com/contact/serious-incident-reporting-form](http://www.adeptmedical.com/contact/serious-incident-reporting-form)

Lääkintälaitteen valmistaja on vahvistanut yllä annettujen ohjeiden riittävän lääkintälaitteen valmistelemiseksi uudelleenkäyttöön. Puhdistus- ja desifiointikäsitteilyn tekijän vastuulla on varmistaa, että jälleenkäsitteilylaitoksessa käytetyillä laitteilla, materiaaleilla ja henkilökunnan toiminnalla saavutetaan halutut tulokset. Se on vahvistettava ja/tai osoitettava kokeellisesti, ja käsitteilyä on valvottava rutiininomaisesti.

Vieraile Adept Medicalin verkkosivustolla saadaksesi yksityiskohtaiset visuaaliset ohjeet tähän laitteeseen liittyen. [www.adeptmedical.com](http://www.adeptmedical.com)

	<b>Σελίδα</b>
<b>Οδηγίες χρήσης</b>	<b>1</b>
<b>Καταχώρηση του προϊόντος</b>	<b>2</b>
<b>Περιεχόμενα</b>	<b>3</b>
<b>Αφαίρεση από τη συσκευασία</b>	<b>4</b>
<b>Συναρμολόγηση</b>	<b>4</b>
<b>Τοποθέτηση</b>	<b>4</b>
Σύσφιξη των μιάντων πρόσδεσης (Table Strap) για ακινητοποίηση του συστήματος.	<b>5</b>
Αφαίρεση υποποδίου (Foot Plate)	<b>7</b>
<b>Ανταλλακτικά</b>	<b>7</b>
Κωδικός προϊόντος	<b>7</b>
Κωδικοί εξαρτημάτων	<b>7</b>
<b>Επαλήθευση πίνακα εικόνων</b>	<b>7</b>
Το προϊόν έχει αξιολογηθεί ως προς τον κίνδυνο ότι λειτουργεί σύμφωνα με τις παρακάτω προδιαγραφές	<b>7</b>
Γωνία τράπεζας: +/- 15° πλευρική και διαμήκης	<b>7</b>
<b>Επιφάνεια τράπεζας: Επίπεδη</b>	<b>7</b>
<b>Βασικές πληροφορίες</b>	<b>8</b>

<b>Πληροφορίες</b>	
<b>Σκοπός για τον οποίο προορίζεται</b>	
Για να στηρίξετε και να ακινητοποιήσετε το πόδι ασθενούς σε ύπτια θέση κατά τη διάρκεια ενδαγγειακής επέμβασης.	
<b>Χρήστης για τον οποίο προορίζεται και απαιτήσεις εκπαίδευσης</b>	
Προορίζεται για χρήση από εκπαιδευμένους επαγγελματίες υγειονομικούς.	
<b>Ασθενείς για τους οποίους προορίζεται</b>	
Ενήλικοι ασθενείς, άνδρες ή γυναίκες, που χρειάζονται διαγνωστική απεικόνιση και θεραπεία καθοδηγούμενη από εικόνα.	
<b>Αντενδείξεις</b>	
Όχι για χρήση σε ασθενείς με βάρος πάνω από 135 kg. <p>Όχι για παιδιατρική χρήση.</p>	
<b>Προειδοποιήσεις και επισημάνσεις</b>	
Βεβαιωθείτε ότι έχουν διαβαστεί οι οδηγίες χρήσης πριν από τη χρήση. <p>Βεβαιωθείτε ότι έχει γίνει καθαρισμός προετοιμασίας.</p> <p>Βεβαιωθείτε ότι έχει γίνει έλεγχος του προϊόντος πριν από τη χρήση.</p> <p>Μη σφίξετε υπερβολικά τους μιάντες κνήμης (Leg Straps) και πέλματος (Foot Straps).</p> <p>Μη χρησιμοποιείτε σε ασθενείς με βάρος πάνω από 135 kg.</p>	

**Οδηγίες αναφοράς περιστατικών**

Για παράπονα και περιστατικά που αφορούν το προϊόν, παρακαλούμε συμπληρώστε τη φόρμα σε αυτή τη θέση: [www.adeptmedical.com/contact/service-and-repairs](http://www.adeptmedical.com/contact/service-and-repairs)

<b>Αρχικοί έλεγχοι και καθαρισμός</b>
---------------------------------------

<b>Καθαρισμός</b>
Δείτε τις οδηγίες απολύμανσης.

**Έλεγχοι του προϊόντος**

Δεν πρέπει να υπάρχουν ρωγμές στην επιφάνεια ανθρακονημάτων.
Δεν πρέπει να υπάρχουν εμφανείς ζημιές ή αιχμές, όπως ρωγμές.
Μιάντες: Βεβαιωθείτε ότι δεν υπάρχουν εμφανείς ζημιές, όπως σκισίματα.
Μιάντες πρόσδεσης (Table Strap): Βεβαιωθείτε ότι η πόρπη μπορεί να κουμπώνει και να ξεκουμπώνει πλήρως ομαλά.
Μιάντες πρόσδεσης (Table Strap): Βεβαιωθείτε ότι οι μιάντες έχουν ασφαλίσει και έχουν τοποθετηθεί σωστά (σελίδα 5).
Μιάντες κνήμης (Leg Straps) και πέλματος (Foot Straps): Βεβαιωθείτε ότι οι μιάντες έχουν ασφαλίσει και έχουν τοποθετηθεί σωστά (σελίδα 6).
Υποπόδιο (Foot Plate): Βεβαιωθείτε ότι το υποπόδιο (Foot Plate) έχει τοποθετηθεί σωστά και έχει μπει καλά μέσα στην υποδοχή του.

<b>Απολύμανση</b>
<b>Προειδοποιήσεις</b>
Ανεπαρκής καθαρισμός μπορεί να επηρεάσει τη διαδικασία απολύμανσης και να οδηγήσει στη μετάδοση παθογόνων. <p>Μη χρησιμοποιήσετε απολυμαντικά προϊόντα ή αποξεστικά/διαβρωτικά μέσα που δεν περιλαμβάνονται στη λίστα εγκεκριμένων καθαριστικών μέσων.</p> <p>Να διαβάξετε πάντα τις οδηγίες του κατασκευαστή και να συμβουλευέστε το δελτίο δεδομένων ασφαλείας (MSDS) του κατασκευαστή για τα καθαριστικά και απολυμαντικά προϊόντα.</p> <p>Μη χρησιμοποιήσετε οποιαδήποτε καθαριστική διαδικασία υπερβαίνει τους 65°C/149°F.</p>

**Περιορισμοί της διαδικασίας**

Διακόψτε τη χρήση αν:

- Υπάρχουν αισιμές ή ρωγμές.
- Υπάρχουν ορατές ίνες ανθρακονημάτων.
- Το υποπόδιο (Foot Plate) δεν έχει μπει καλά μέσα στη βάση του στηρίγματος κνήμης (Lower Leg Support).
- Παρατηρούνται σκισίματα στον μιάντα του υποποδίου (Leg Pad) ή σε οποιονδήποτε από τους μιάντες.
- Το βέλκρο των μιάντων υποποδίου (Foot Strap) και κνήμης (Leg Strap) δεν ασφαλίζει καλά.
- Η πόρπη του μιάντα πρόσδεσης (Table Strap) δεν ασφαλίζει καλά.

<b>Οδηγίες απολύμανσης</b>
----------------------------

**Αρχική επεξεργασία στο σημείο χρήσης**

Είναι σημαντικό να καθαρίσετε το προϊόν αμέσως μόλις αφαιρεθεί από τη συσκευασία και μετά από κάθε επέμβαση. Βεβαιωθείτε ότι όλα τα σημεία, όπως αρμοί, σύνδεσμοι, υποδοχές, βραχίονες και μοχλοί, θα καθαριστούν καλά μετά τη χρήση, για να απομακρυνθούν όλες οι συσσωρεύσεις ρύπων που μπορεί να παραμένουν μετά από μια επέμβαση.

**Προετοιμασία πριν από τον καθαρισμό**

Βάση στηρίγματος (Support Base): Αφαιρέστε τη βάση από το στρώμα.
Υποπόδιο (Foot Plate): Αφαιρέστε το υποπόδιο από τη βάση.
Κάλυμμα στηρίγματος (Leg Pad): Αφαιρέστε το κάλυμμα από τη βάση.
Μιάντας κνήμης (Leg Strap): Ξεκουμπώστε τον μιάντα, βεβαιωθείτε ότι τα δύο άκρα δεν συνδέονται μεταξύ τους.
Μιάντας πέλματος (Foot Strap): Ξεκουμπώστε τον μιάντα, βεβαιωθείτε ότι τα δύο άκρα δεν συνδέονται μεταξύ τους.
Μιάντας πρόσδεσης (Table Strap): Ξεκουμπώστε την πόρπη του μιάντα.
www.adeptmedical.com/imaging-table-accessories/lower-leg-support/training?group=cleaning-instructions

**Καθαρισμός: Χειροκίνησης**

Βάση στηρίγματος (Support Base) / υποπόδιο (Foot Plate)
Αν υπάρχει ορατή ρύπανση ξεπλύντε με νερό.
Τα εξαρτήματα αυτά μπορούν να εμβαπτιστούν πλήρως σε νερό.
Μπορείτε να χρησιμοποιήσετε βούρτσα με μαλακές τρίχες, αν χρειάζεται.
Βεβαιωθείτε ότι έχει αφαιρεθεί πλήρως η ρύπανση.
Βεβαιωθείτε ότι όλα τα εξαρτήματα έχουν στεγνώσει καλά πριν από την απολύμανση.

Κάλυμμα στηρίγματος (Leg Pad) / μιάντας πέλματος (Foot Strap) / μιάντας κνήμης (Leg Strap) / μιάντας πρόσδεσης (Table Strap)
Αν υπάρχει ορατή ρύπανση ξεπλύντε με νερό.
Τα εξαρτήματα αυτά δεν πρέπει να εμβαπτιστούν πλήρως σε νερό.
Μπορείτε να χρησιμοποιήσετε βούρτσα με μαλακές τρίχες, αν χρειάζεται.
Βεβαιωθείτε ότι έχει αφαιρεθεί πλήρως η ρύπανση.
Βεβαιωθείτε ότι όλα τα εξαρτήματα έχουν στεγνώσει καλά πριν από την απολύμανση.

**Απολύμανση**

Δείτε τη λίστα με τα εγκεκριμένα καθαριστικά για να επιλέξετε ένα κατάλληλο απολυμαντικό μέσο.

Στήριγμα κνήμης (Lower Leg Support):

- Με πανί εμποτισμένο με εγκεκριμένο απολυμαντικό σκουπίστε όλες τις επιφάνειες όπως και το εσωτερικό κάθε σχισμής του υποποδίου (Foot Plate).

Υποπόδιο (Foot Plate) / κάλυμμα στηρίγματος (Leg Pad) / μιάντας κνήμης (Leg Strap) / μιάντας πέλματος (Foot Strap) / μιάντας πρόσδεσης (Table Strap):

- Με πανί εμποτισμένο με εγκεκριμένο απολυμαντικό σκουπίστε όλες τις επιφάνειες.

<b>Λίστα εγκεκριμένων καθαριστικών</b>
<b>Εγκεκριμένα απολυμαντικά κατά μάρκα</b>
<b>Υγρά:</b>
ORION Laboratories - Ισοπροπυλική αλκοόλη 70%
Jaychem Industries - Χλωρεξιδίνη 2% / αλκοόλη 70%
Betadine - Ιωδιούχος ποβιδόνη (7,5%)
BODE Chemie GmbH - Kohrsolin FF
STERIS - Coverage TB σπρέι
CaviCide - Metrex Research

**Διαλυτά:**

Du Pont - Rely+On Virkon ταμπλέτες

**Υγρομάντηλα:**

PDI Sani-Cloth – Μαντήλια χλωρίνης
PDI Sani-Cloth AF3
Reynard Health Supplies - Απολυμαντικά μαντήλια
Metrex Research - CaviWipes
Clinell Wipes – Μαντήλια γενικής χρήσης (πράσινα)
Clorox – Μαντήλια υπεροξειδίου του υδρογόνου

<b>Εγκεκριμένα συστατικά ενεργών απολυμαντικών</b>
<b>Όξινης βάσης:</b>
≤ 10% μηλικό οξύ CAS 6915-15-7
≤ 6% σουλφαμικό οξύ CAS 5329-14-6

**Αλκοολικής βάσης:**

≤ 5% 2-βουτοξαιθανόλη CAS 111-76-2
≤ 10% βουτυλοδιγλυκόλη CAS 112-34-5
≤ 70% ισοπροπυλική αλκοόλη (προπαν-2-όλη) CAS 67-63-0
≤ 10% τριδεκανόλη CAS 69011-36-5
< 10% αλκοόλες, C12-14, αιθοξυλιωμένες CAS 68439-50-9
≤ 70% μετουσιωμένη αιθανόλη CAS 64-17-5

**Θεικής βάσης:**

≤ 0,1% πολυεξανίδη (διγουανίδη πολυεξαμεθυλενίου) PHMB CAS 27083-27-8
≤ 55% υπεροξυμονοθεικό κάλιο CAS 70693-62-8
≤ 3% υπερθεϊκό κάλιο CAS 7727-21-1

**Αμμωνιακής και χλωριδικής βάσης:**

≤ 5% χλωριούχο βενζαλκόνιο CAS 68424-85-1
≤ 0,28% χλωριούχο βενζαλκόνιο CAS 121-54-0
≤ 10% χλωριούχο βενζυλ-C23-18-αλκυλοδιμεθυλαμμώνιο CAS 8001-54-5
≤ 2% χλωρεξιδίνη CAS 55-56-1
≤ 10% χλωριούχο διδεκυλοδιμεθυλαμμώνιο CAS 7173-51-5
≤ 0,5% τεταρτοταγείς αμμωνιακές ενώσεις CAS 68956-79-6
< 5% χλωριούχο βενζυλ-C 12-18 αλκυλοδιμεθυλαμμώνιο CAS 63891-01-5

**Άλλα:**

≤ 10% γλουταραλδεόδη CAS 111-30-8
≤ 0,63% υποχλωριώδες νάτριο CAS 7681-52-9
≤ 7,5% ιωδιούχος ποβιδόνη CAS 25655-41-8
0,5% κοκοαμφοδυτροπιονικό δινάτριο CAS 68604-71-7
≤ 1,4% υπεροξείδιο του υδρογόνου CAS 7722-84-1

Δείτε την τελευταία λίστα εγκεκριμένων καθαριστικών στη διεύθυνση [www.adeptmedical.com/resources](http://www.adeptmedical.com/resources)

**Στέγνωμα**

Όλα τα εξαρτήματα πρέπει να στεγνώσουν καλά πριν από τη χρήση.

**Συντήρηση, επιθεώρηση και έλεγχος**

Στήριγμα κνήμης (Lower Leg Support) / υποπόδιο (Foot Plate):
Δεν πρέπει να υπάρχουν ορατές ίνες ανθρακονημάτων.
Δεν πρέπει να υπάρχουν εμφανείς ζημιές ή αιχμές, όπως ρωγμές.
Βεβαιωθείτε ότι το υποπόδιο (Foot Plate) ασφαλίζει καλά στο στήριγμα κνήμης (Lower Leg Support).
Κάλυμμα στηρίγματος (Leg Pad):
Βεβαιωθείτε ότι δεν υπάρχουν εμφανείς ζημιές ή σκισίματα.
Μιάντας πέλματος (Foot Strap) / μιάντας κνήμης (Leg Strap):
Βεβαιωθείτε ότι δεν υπάρχουν εμφανείς ζημιές ή σκισίματα.
Το βέλκρο πρέπει να ασφαλίζει καλά.
Μιάντας πρόσδεσης (Table Strap):
Βεβαιωθείτε ότι δεν υπάρχουν εμφανείς ζημιές ή σκισίματα.
Βεβαιωθείτε ότι η πόρπη μπορεί να κουμπώνει και να ξεκουμπώνει πλήρως ομαλά.

**Συσκευασία**

Δεν χρειάζεται να συσκευάσετε το σύστημα μετά την απολύμανση.

**Αποστείρωση**

Το σύστημα αυτό δεν πρέπει να υποβάλλεται σε διαδικασίες αποστείρωσης.

**Φύλαξη**

Από τη στιγμή που θα ολοκληρωθεί η απολύμανση και όλα τα εξαρτήματα θα είναι στεγνά, το σύστημα πρέπει να αποθηκευτεί σε ξηρό περιβάλλον.

<b>Απόρριψη</b>
Το χρησιμοποιημένο προϊόν αποτελεί βιολογικό κίνδυνο, γι’ αυτό πρέπει να απολυμαίνεται σύμφωνα με τις οδηγίες απολύμανσης που δίνονται εδώ και, αν χρειαστεί, να επικοινωνείτε με τον κατασκευαστή στη διεύθυνση <a href="mailto:adeptmedical@adept.co.nz">adeptmedical@adept.co.nz</a> για τις προδιαγραφές του. Πρέπει να απορρίπτεται σύμφωνα με την εσωτερική πολιτική των εγκαταστάσεων στις οποίες χρησιμοποιείται, λαμβάνοντας υπόψη τους κατά τόπους ισχύοντες κανονισμούς.

<b>Σοβαρά περιστατικά</b>
Οποιοδήποτε σοβαρό περιστατικό συμβεί που αφορά το προϊόν πρέπει να αναφέρεται αμέσως: <p>Στην αρμόδια αρχή της πολιτείας.</p> <p>Στον κατασκευαστή, χρησιμοποιώντας τη φόρμα αναφοράς σοβαρών περιστατικών που βρίσκεται στην ιστοσελίδα της Adept Medical: <a href="http://www.adeptmedical.com/contact/serious-incident-reporting-form">www.adeptmedical.com/contact/serious-incident-reporting-form</a></p>

Οι οδηγίες που δίνονται έχουν επικυρωθεί από τον κατασκευαστή του ιατρικού συστήματος ως επαρκείς για την προετοιμασία του για επαναχρησιμοποίηση. Αποτελεί ευθύνη του χρήστη να εξασφαλίσει ότι η διαδικασία, όπως θα εκτελεστεί πραγματικά, χρησιμοποιώντας τον εξοπλισμό, τα υλικά και το προσωπικό στις εγκαταστάσεις του, θα επιτύχει το επιθυμητό αποτέλεσμα. Αυτό απαιτεί επιβεβαίωση ή/και επικύρωση, καθώς και τακτική παρακολούθηση της διαδικασίας.

Επισκεφθείτε τον ιστότοπο της Adept Medical για λεπτομερείς οπτικές οδηγίες σχετικά με αυτή τη συσκευή.
[www.adeptmedical.com](http://www.adeptmedical.com)

	<b>Oldal</b>
<b>Használati utasítás</b>	<b>1</b>
<b>Termék regisztráció</b>	<b>2</b>
<b>Tartalom</b>	<b>3</b>
<b>Kicsomagolás</b>	<b>4</b>
<b>Összeszerelés</b>	<b>4</b>
<b>Beállítás</b>	<b>4</b>
Eszköz rögzítését szolgáló pántok az asztalhoz.	<b>5</b>
Lábfejtartó (Foot Plate) eltávolítása	<b>7</b>
<b>Pótalkatrészek</b>	<b>7</b>
Termékkód	<b>7</b>
Részegységek kódjai	<b>7</b>
<b>Képtáblázat ellenőrzése</b>	<b>7</b>
A termék kockázatértékelése szerint az alábbi specifikációk szerint működik	<b>7</b>
Asztal szöge: +/- 15° kereszt- és hosszirányban	<b>7</b>
Asztal felülete: Sima	<b>7</b>
<b>Legfontosabb Információk</b>	<b>8</b>

<b>Információk</b>
<b>Rendeltetés</b>
A hanyatt fekvő páciens lábának alátámasztására endovascularis műtét során.
<b>Felhasználók köre/Képzési követelmény</b>
Képzett egészségügyi szakemberek általi használatra készült.

**Páciensek célcsoportja**
Feinőtt férfi vagy női páciensek, akik diagnosztikai képalkotást és a képalkotás alapján megállapított terápiát igényelnek.

**Kontraindikációk**

- Nem használható 135 kg fölötti testsúlyú pácienseknél.
- Nem használható gyermekgyógyászatban.

**Figyelmeztetések és Vigyázat**

- Ügyeljen, hogy használat előtt mindig olvassa el a használati utasítást.
- Ügyeljen, hogy végezzék el az előkészítő tisztítást.
- Ügyeljen, hogy végezzék el a termék előkészítő ellenőrzését.
- Ne húzza túl a lábat és a lábfejet rögzítő pántokat.
- Ne használja 135 kg fölötti testsúlyú pácienseknél.

**Útmutatások események bejelentéséhez**
Termékkel kapcsolatos panaszok és esetek bejelentéséhez kérjük, töltsse ki az adatlapot itt: www.adeptmedical.com/contact/service-and-repairs

<b>Kezdeti ellenőrzések és tisztítás</b>
<b>Tisztítás</b>
Lásd a Fertőtlenítési utasításokat.
<b>Termék ellenőrzései</b>
<ul style="list-style-type: none"><li>Ne legyen törés a szénszálás anyagon.</li> <li>Nincsenek látható sérülések vagy éles szélek, például repedések.</li> <li>Pántok: ellenőrizze, nem sérültek-e, például szakadás.</li> <li>Asztal pánt (Table Strap): ellenőrizze a csat sima be- és kikapcsolhatóságát.</li> <li>Asztal pánt (Table Strap): ellenőrizze, hogy biztonságos és megfelelő módon helyezték-e el (5. oldal).</li> <li>Lábfej pánt (Foot Strap)/Láb pánt (Leg Strap): ellenőrizze, hogy a pántokat biztonságos és megfelelő módon helyezték-e el (6. oldal).</li> <li>Lábfejtartó (Foot Plate): Ellenőrizze, hogy a lábfejtartót (Foot Plate) megfelelően helyezték-e a lábfejtartón (Foot Plate) lévő részbe, és teljesen rögzítették-e.</li></ul>

Fertőtlenítés

**Figyelmeztetések**

- Az elégtelen tisztítás a fertőtlenítés folyamatát veszélyeztetheti, és kórokozók átviteléhez vezethet.
- Ne használjon olyan fertőtlenítőszereket, illetve abrazív/korozív szereket, amelyek nem szerepelnek a tisztításra jóváhagyott szerek listáján.
- Mindig olvassa el a gyártó utasításait és tanulmányozza a gyártók tisztító- és fertőtlenítőszerekhez kiadott anyagbiztonsági adatlapjait.
- Ne alkalmazzon 65°C/149°F fokot meghaladó tisztítási eljárást.

**Feldolgozásra vonatkozó korlátozás**
Hagyja abba a használatot, ha:

- Bármilyen repedés vagy törés jelenik meg.
- Bármilyen szénszál láthatóvá válik.
- A lábfejtartó (Foot Plate) nem illeszkedik biztonságosan az alsó lábszár támaszték alapjához (Lower Leg Support Base).
- Ha bármilyen szakadás észlelhető a láb bélelésen (Leg Pad) vagy bármelyik pánton.
- A láb-/lábfej pántok tépőzárjai nem rögzülnek biztonságosan.
- Az asztal pánt (Table Strap) csatja nem rögzül biztonságosan.

#### Fertőtlenítési utasítások

**Kezdeti fertőtlenítés a felhasználás helyén**
Fontos a termék megtisztítása a csomagolás eltávolítása és minden egyes használat után. Ügyeljen, hogy minden területet – ideértve az illesztéseket, csatokat, aljzatokat, konzolokat és karokat – alaposan megtisztítson használat után, hogy eltávolítsa az eljárás során összegyűlt összes szennyeződést.

**Tisztítás előtti előkészítés**

- Alsó lábszár támaszték alapja (Lower Leg Support Base): Távolítsa el az alapot a matracról.
- Lábfejtartó (Foot Plate): Csatlakoztassa le a lábfejtartót (Foot Plate) az alapról (Base).
- Láb bélelés (Leg Pad): Távolítsa el a bélelést az alapról (Base).
- Láb pánt (Leg Strap): Engedje ki a pántot, vagyis válassza szét a kampós és a hurkos felületeket.
- Lábfej pánt (Foot Strap): Engedje ki a pántot, vagyis válassza szét a kampós és a hurkos felületeket.
- Asztal pánt (Table Strap): Csatolja ki a pánton lévő csatot.

www.adeptmedical.com/imaging-table-accessories/lower-leg-support/training?group=cleaning-instructions

**Tisztítás: Kézi**
Alsó lábszár támaszték alapja/Lábfejtartó

- Ha láthatóan szennyezett, öblítse le vízzel.
- Ezek a részegységek teljesen vízbe meríthetők.
- Szükség esetén használhat puha kefét ehhez.
- Ügyeljen a szennyeződések teljes eltávolítására.
- Fertőtlenítés előtt ellenőrizze, hogy az összes részegység teljesen megszáradt-e.

Láb bélelés (Leg Pad)/Láb pánt (Leg Strap)/Lábfej pánt (Foot Strap)/Asztal pánt (Table Strap)

- Ha láthatóan szennyezett, öblítse le vízzel.
- Ezek a részegységek nem meríthetők teljesen vízbe.
- Szükség esetén használhat puha kefét ehhez.
- Ügyeljen a szennyeződések teljes eltávolítására.
- Fertőtlenítés előtt ellenőrizze, hogy az összes részegység teljesen megszáradt-e.

**Fertőtlenítés**
Tekintse meg a Jóváhagyott fertőtlenítőszerek listáját a megfelelő fertőtlenítőszer kiválasztásához.

Alsó lábszár támaszték (Lower Leg Support):

- A jóváhagyott fertőtlenítőszerral megnedvesített ruhával törölje át az összes felületet, beleértve a lábfejtartón (Foot Plate) lévő rés belsejét.

Lábfejtartón (Foot Plate)/Láb bélelés (Leg Pad)/Láb pánt (Leg Strap)/Lábfej pánt (Foot Strap)/Asztal pánt (Table Strap):

- A jóváhagyott fertőtlenítőszerral megnedvesített ruhával törölje át az összes felületet.

Jóváhagyott tisztítószer listája

Jóváhagyott tisztítószer márkanevenként:

**Folyadékok:**
ORION Laboratories - 70%-os izopropil alkohol
Jaychem Industries - 2%-os klórhexidin / 70% alkohol
Betadine - Povidon-jód (7,5%-os)
BODE Chemie GmbH - Kohrsolin FF
STERIS - Coverage Spray TB
CaviCide - Metrex Research

**Oldható:**
Du Pont - Rely+On Virkon Tablets

**Felülettörölő kendők:**
PDI Sani-Cloth Bleach
PDI Sani-Cloth AF3
Reynard Health Supplies - Felület fertőtlenítő törölkendők
Metrex Research - CaviWipes
Clinell Wipes - Univerzális (Zöld)
Clorox Hydrogen Peroxide törölkendők

**Jóváhagyott aktív fertőtlenítő összetevők**

**Savakat tartalmazó:**
≤10% almasav CAS 6915-15-7
≤6% szulfaminsav CAS 5329-14-6

**Alkoholt tartalmazó:**
≤5% 2-butoxi-etanol CAS 111-76-2
≤10% butil-diglikol CAS 112-34-5
≤70% izopropil-alkohol (propán-2-ol) CAS 67-63-0
≤10% tridecil-alkohol CAS 69011-36-5
<10% alkoholok, C12-14, etoxilezett CAS 68439-50-9
≤70% denaturált etanol CAS 64-17-5

**Szulfátot tartalmazó:**
≤0,1% PHMB CAS 27083-27-8
≤55% kálium-peroximonoszulfát CAS 70693-62-8
≤3% kálium-perszulfát CAS 7727-21-1

**Ammónia- és klórtartalmú:**
≤5% benzalkónium-klorid CAS 68424-85-1
≤0,28% benzetónium-klorid CAS 121-54-0
≤10% benzil-C23-18-alkil-dimetil-ammónium-klorid CAS 8001-54-5
≤2% klórhexidin CAS 55-56-1
≤10% didecil-dimetil-ammónium-klorid CAS 7173-51-5
≤0,5% kvaterner ammóniumvegyületek CAS 68956-79-6
<5% benzil-C 12-18 alkil-dimetil-ammónium-kloridok CAS 63891-01-5

**Egyéb:**
≤10% glutársav CAS 111-30-8
≤0,63% nátrium-hipoklorit CAS 7681-52-9
≤7,5% Povidon-jód CAS 25655-41-8
0,5% dinátrium-kokoamfo-dipropionát CAS68604-71-7
≤1,4% hidrogén-peroxid CAS 7722-84-1

A jóváhagyott tisztítószerk listáját ezek keresztül érheti el:
www.adeptmedical.com/resources

**Szárítás**
Használat előtt minden részegységet alaposan meg kell szárítani.

**Karbantartás, felülvizsgálat és tesztelés**
Alsó lábszár támaszték (Lower Leg Support)/Lábfejtartó (Foot Plate):

- Nincsenek látható szénszálak.
- Nincsenek látható sérülések vagy éles szélek, például repedések.
- Ügyeljen, hogy a lábfejtartó (Foot Plate) biztonságosan üljön az alsó lábszár támasztékon (Lower Leg Support).

Láb bélelés (Leg Pad):

- Ne legyen látható sérülés vagy szakadás rajta.

Lábfej pánt (Foot Strap)/Láb pánt (Leg Strap):

- Ne legyen látható sérülés vagy szakadás rajta.
- A tépőzárnak biztonságosan kell rögzülnie.

Asztal pánt (Table Strap):

- Ne legyen látható sérülés vagy szakadás rajta.
- A csat teljesen és könnyen be- és kikapcsolható.

**Csomagolás**
A fertőtlenítés után az eszközt nem kell becsomagolni.

**Szterilizálás**
Ez az eszköz nem igényel szterilizálást.

**Tárolás**
Miután befejezte a fertőtlenítést és megszáradt az összes részegység, az eszközt száraz helyen kell tárolni.

<b>Hulladékként elhelyezés</b>
A használt termék biológiai veszélynek minősül, a szennyeződések megszüntetését végezze a Fertőtlenítési utasításoknak megfelelően, és szükség esetén igényelje az anyagok specifikációját a gyártótól, az adeptmedical@adept.co.nz címen. A hulladék elhelyezését a klinikai irányelveinek megfelelően és a helyi előírások figyelembe vételével végezze.

<b>Komoly események</b>
Minden az eszközzel kapcsolatos komoly eseményt azonnal jelenteni kell a következőnek: <ul style="list-style-type: none"><li>Az érintett uniós tagállam illetékes hatósága.</li> <li>A gyártó az Adept Medical weboldalán található komoly esemény bejelentésére szolgáló űrlap segítségével: www.adeptmedical.com/contact/serious-incident-reporting-form</li></ul>

A fenti utasításokat az orvosi eszköz gyártója ellenőrizte annak érdekében, hogy előkészítse az orvosi eszközt az újbóli felhasználásra. A feldolgozást végző felelőssége marad annak biztosítása, hogy a feldolgozás – abban a formában, ahogy ténylegesen zajlik az eszköz, a feldolgozó létesítményben található anyagok és dolgozók segítségével – elérje a kívánt eredményt. Ez az eljárás ellenőrzését és/vagy hitelesítését, valamint a folyamat rutinszerű nyomon követését igényli.

Látogasson el az Adept Medical weboldalára a készülékkel kapcsolatos részletes vizuális utasításokért.
www.adeptmedical.com

	<b>Side</b>
<b>Bruksanvisning</b>	<b>1</b>
<b>Produkt registrering</b>	<b>2</b>
<b>Innhold</b>	<b>3</b>
<b>Utpakking</b>	<b>4</b>
<b>Montering</b>	<b>4</b>
<b>Konfigurering</b>	<b>4</b>
Bordreimer som kan strammes for å feste utstyret.	<b>5</b>
Demontering av Foot Plate	<b>7</b>
<b>Reservedeler</b>	<b>7</b>
Produktkode	<b>7</b>
Komponentkoder	<b>7</b>
<b>Bildetabellbekreftelse</b>	<b>7</b>
Produktet har blitt risikovurdert for å fungere innenfor spesifikasjonene nedenfor	<b>7</b>
Bordets vinkel: +/- 15° i side- og lengderetning	<b>7</b>
Bordets overflate: Flat	<b>7</b>
<b>Viktig Informasjon</b>	<b>8</b>

## Informasjon

### Formål

Støtte og immobilisere beinet til pasient i ryggleie under endovaskulær kirurgi.

### Tiltenkte brukere / krav om opplæring

Utstyret skal brukes av faglærte helsearbeidere.

### Målgruppe av pasienter

Voksne mannlige eller kvinnelige pasienter med behov for bildediagnostikk og bildeassistert terapi.

### Kontraindikasjoner

- Skal ikke brukes til pasienter på over 135 kg.
- Ikke til pediatriisk bruk.

#### Advarsler og merknader

- Les bruksanvisningen før bruk.
- Sørg for at utstyret er rengjort.
- Sørg for at utstyret er kontrollert.
- Leg Straps og Foot Straps må ikke overstrammes.
- Skal ikke brukes til pasienter på over 135 kg.

### Retningslinjer for rapportering av insidenter

For klager på og insidenter med produktet brukes skjema på [www.adeptmedical.com/contact/service-and-repairs](http://www.adeptmedical.com/contact/service-and-repairs)

## Kontroller og rengjøring

### Rengjøring

Se «Anvisninger for desinfisering»

#### Produktkontroller

- Kontroller at det ikke er brudd i karbonfiberflaten.
- Kontroller at det ikke er noen synlige skader eller skarpe kanter, f.eks. sprekker.
- Alle reimer: Kontroller at det ikke er noen skader, f.eks. revner.
- Table Strap: Kontroller at spennen kobles inn og ut på smidig måte.
- Table Strap: Kontroller at Table Strap er sikret og riktig plassert (side 5).
- Foot/Leg Strap: Kontroller at reimene er sikret og riktig plassert (side 6).
- Foot Plate: Kontroller at Foot Plate er riktig plassert i Foot Plate-sporet og ordentlig festet.

## Desinfisering

### Advarsler

- Manglende renhold kan gå ut over desinfiseringsprosessen og føre til at patogener overføres.
- Ikke bruk desinfeksjonsmidler eller skurende/etsende stoffer som ikke står på listen over godkjente rengjøringsmidler.
- Les alltid produsentens instruksjoner og se produsentens sikkerhetsdatablad for informasjon om rengjørings- og desinfeksjonsmidler.
- Ikke bruk rengjøringsprosedyrer som overgår 65 °C/149 °F.

### Bruksbegrensninger

- Avbryt bruken av utstyret dersom:
  - Det oppstår sprekker eller brudd.
  - Det er synlige karbonfibre.
- Foot Plate ikke er skikkelig festet i Lower Leg Support Base.
- Du oppdager revner på Leg Pad eller noen av reimene.
- Borrelåsen på Leg Strap / Foot Strap ikke festes skikkelig.
- Spennen på Table Strap ikke festes skikkelig.

## Anvisninger for desinfisering

### Desinfisering på bruksstedet

Det er viktig å rengjøre produktet etter at det er tatt ut av emballasjen, samt etter hver prosedyre. Kontroller at alle områder slik som ledd, klips, hylser, braketter og spaker blir grundig rengjort etter bruk, slik at alt av potensielle kontaminanter etter prosedyren blir fjernet.

#### Forberedelse til rengjøring

- Lower Leg Support Base: Fjern basen fra madrassen.
- Foot Plate: Koble Foot Plate fra basen.
- Leg Pad: Fjern puten fra basen.
- Leg Strap: Løsne reimen, dvs. sørg for at borrelåssidene ikke er koblet sammen.
- Foot Strap: Løsne reimen, dvs. sørg for at borrelåssidene ikke er koblet sammen.
- Table Strap: Løsne spennen på reimen.

[www.adeptmedical.com/imaging-table-accessories/lower-leg-support/training?group=cleaning-instructions](http://www.adeptmedical.com/imaging-table-accessories/lower-leg-support/training?group=cleaning-instructions)

### Rengjøring: Manuelt

- Lower Leg Support Base / Foot Plate
  - Skylles med vann ved synlig tilsmussing.
  - Disse komponentene kan legges i vann.
  - En børste med myk bust kan brukes ved behov.
  - Kontroller at du får bort alt av smuss.
  - Kontroller at alle komponentene er helt tørre før desinfisering.

- Leg Pad / Leg Strap / Foot Strap / Table Strap
  - Skylles med vann ved synlig tilsmussing.
  - Disse komponentene skal ikke legges i vann.
  - En børste med myk bust kan brukes ved behov.
  - Kontroller at du får bort alt av smuss.
  - Kontroller at alle komponentene er helt tørre før desinfisering.

### Desinfisering

Se listen over godkjente rengjøringsmidler for et utvalg av egnede desinfeksjonsmidler.

#### Lower Leg Support:

- Bruk en fille som er fuktet med et godkjent desinfeksjonsmiddel, og tørk av alle flater, inklusiv i sporet på Foot Plate.

#### Foot Plate / Leg Pad / Leg Strap / Foot Strap og Table Strap:

- Bruk en fille som er fuktet med et godkjent desinfeksjonsmiddel, og tørk av alle flater.

## Liste over godkjente rengjøringsmidler

### Godkjente desinfeksjonsmidler etter merke

#### Væsker:

ORION Laboratories - 70 % isopropanol
Jaychem Industries - 2 % klorheksidin / 70 % alkohol
Betadine - Povidone-iodine (7,5 %)
BODE Chemie GmbH - Kohrsolin FF
STERIS - Coverage Spray TB
CaviCide - Metrex Research

#### Oppløsbare:

Du Pont - Rely+On Virkon-tabletter

#### Våtservietter:

PDI Sani-Cloth Bleach
PDI Sani-Cloth AF3
Reynard Health Supplies - Surface Disinfectant Wipes (desinfiserende våtservietter)
Metrex Research - Cavi Wipes
Clinell Wipes - Universal (grønn)
Clorox Hydrogen Peroxide Wipes

### Godkjente aktive ingredienser i desinfeksjonsmidler

#### Syrebaserte:

≤10 % eplesyre CAS 6915-15-7
≤6 % sulfaminsyre CAS 5329-14-6

#### Alkoholbaserte:

≤5 % 2-butoksyetanol CAS 111-76-2
≤10 % butyldiglykol CAS 112-34-5
≤70 % isopropanol (propan-2-ol) CAS 67-63-0
≤10 % tridecanol CAS 69011-36-5
<10 % alkohol, C12-14, etoksyisert CAS 68439-50-9
≤70 % rødsprit CAS 64-17-5

#### Sulfatbaserte:

≤0,1 % PHMB CAS 27083-27-8
≤55 % kaliumperoksymonosulfat CAS 70693-62-8
≤3 % kaliumpersulfat CAS 7727-21-1

#### Ammonium- og kloridbaserte:

≤5 % benzalkoniumklorid CAS 68424-85-1
≤0,28 % benzetoniumklorid CAS 121-54-0
≤10 % Benzyl-C23-18 alkyl-dimetyl-ammoniumklorid CAS 8001-54-5
≤2 % klorhexidin CAS 55-56-1
≤10 % didecyldimetyl-ammoniumklorid CAS 7173-51-5
≤0,5 % kvaternære ammoniumforbindelser CAS 68956-79-6
<5 % Benzyl-C 12-18 alkyl-dimetyl-ammoniumklorider CAS 63891-01-5

#### Andre:

≤10 % Glutaral CAS 111-30-8
≤0,63 % natriumhypokloritt CAS 7681-52-9
≤7,5 % povidone-iodine CAS 25655-41-8
0,5 % disodium-cocoampho-dipropionate CAS 68604-71-7
≤1,4 % hydrogenperoksid CAS 7722-84-1

Få tilgang til den siste listen over godkjente rengjøringsmidler via [www.adeptmedical.com/resources](http://www.adeptmedical.com/resources)

### Tørking

Alle komponentene skal være helt tørket før bruk.

### Vedlikehold, inspeksjon og testing

Lower Leg Support / Foot Plate:

- Kontroller at det ikke er synlige karbonfibre.
- Kontroller at det ikke er noen synlige skader eller skarpe kanter, f.eks. sprekker.
- Kontroller at Foot Plate festes trygt i Lower Leg Support.

Leg Pad:

- Kontroller at det ikke er noen synlige skader eller revner.

Foot Strap / Leg Strap:

- Kontroller at det ikke er noen synlige skader eller revner.
- Borrelåsen skal festes trygt og godt.

Table Strap:

- Kontroller at det ikke er noen synlige skader eller revner.
- Kontroller at spennen kobles inn og ut på smidig måte.

### Innpakking

Det er ikke nødvendig å pakke inn utstyret etter desinfisering.

### Sterilisering

Dette utstyret skal ikke steriliseres.

### Oppbevaring

Etter at desinfisering er utført og alle komponentene er tørre, skal utstyret oppbevares på et tørt sted.

## Avhending

Et brukt produkt utgjør en biologisk fare og skal dekontamineres i henhold til anvisningene som er oppgitt under «Anvisninger for desinfisering». Kontakt produsenten på [adeptmedical@adept.co.nz](mailto:adeptmedical@adept.co.nz) for material-spesifikasjoner ved behov. Avhendes i henhold til klinikkens interne retningslinjer og med hensyn til lokale forskrifter.

## Alvorlige hendelser

Enhver alvorlig hendelse som oppstår i forbindelse med enheten, skal rapporteres umiddelbart til:

- Den kompetente myndighet i gjeldende medlemsstat.
- Produsenten bruker skjemaet for rapportering av alvorlige hendelser som finnes på Adept Medical-nettstedet: [www.adeptmedical.com/contact/serious-incident-reporting-form](http://www.adeptmedical.com/contact/serious-incident-reporting-form)

Disse anvisningene er kontrollert og godkjent av produsenten av det medisinske utstyret som riktig prosedyre for klargjøring av utstyret for gjentatt bruk. Det er operatørens ansvar å sørge for at utstyret behandles og brukes på riktig måte og med/av riktig materiell og personell på anlegget for å oppnå ønsket resultat. Dette krever kontroller og/eller valideringer og rutinemessig overvåking av prosessen.

Gå til [Adept Medical](http://Adept Medical) for detaljerte visuelle anvisninger knyttet til dette utstyret. [www.adeptmedical.com](http://www.adeptmedical.com)

	<b>Strona</b>
<b>Instrukcja Użycia</b>	<b>1</b>
<b>Rejestracja produktu</b>	<b>2</b>
<b>Spis Treści</b>	<b>3</b>
<b>Odpakowywanie</b>	<b>4</b>
<b>Montaż</b>	<b>4</b>
<b>Uruchomienie</b>	<b>4</b>
Napinanie pasków do stołu (Table Strap) w celu unieruchomienia urządzenia.	<b>5</b>
Demontaż płyty pod stopę (Foot Plate)	<b>7</b>
<b>Części zamienne</b>	<b>7</b>
Kod produktu	<b>7</b>
Kody elementów	<b>7</b>
<b>Weryfikacja tabeli obrazów</b>	<b>7</b>
Produkt został oceniony pod kątem ryzyka, aby działał zgodnie z poniższymi specyfikacjami	<b>7</b>
Kątowanie stołu: +/- 15° boczne & wzdłużne	<b>7</b>
Powierzchnia stołu: Płaska	<b>7</b>
<b>Podstawowe informacje</b>	<b>8</b>

#### Informacje

##### Przeznaczenie

Do podparcia i unieruchomienia nogi pacjenta leżącego na plecach poddawanego zabiegowi wewnątrznaczyniowemu.

##### Użytkownicy, dla których produkt jest przeznaczony/wymagania dotyczące szkolenia

Przeznaczony do użytku przez przeszkolony personel medyczny.

##### Grupa docelowa pacjentów

Dorośli pacjent płci męskiej lub żeńskiej wymagający diagnostyki obrazowej i terapii obrazowej.

##### Przeciwwskazania

- Nie stosować u pacjentów powyżej 135 kg.
- Nie do użytku pediatrycznego.

##### Ostrzeżenia i przestrogi

- Przed użyciem zapoznać się z instrukcją obsługi.
- Upewnić się, że przeprowadzono czyszczenie przygotowawcze.
- Upewnić się, że przeprowadzono kontrolę przygotowawczą produktu.
- Pasków do nogi i stopy nie należy zaciskać nadmiernie.
- Nie stosować u pacjentów powyżej 135 kg.

##### Wytyczne dotyczące zgłaszania incydentów

W przypadku reklamacji i incydentów dotyczących produktów prosimy o wypełnienie formularza na:

www.adeptmedical.com/contact/service-and-repairs

#### Wstępne kontrole i czyszczenie

##### Czyszczenie

Patrz instrukcje dotyczące dezynfekcji.

##### Kontrole produktów

- Brak pęknięć na powierzchni z włókna węglowego.
- Brak widocznych uszkodzeń lub ostrych krawędzi, np. pęknięć.
- Paski: sprawdzić czy nie są uszkodzone, np. są rozdarłe.
- Pasek do stołu (Table Strap): sprawdź, czy sprzączka łączy i rozłącza się całkowicie i bez zakłóceń.
- Pasek do stołu (Table Strap): sprawdź czy pasek do stołu (Table Strap) dobrze zamocowany i prawidłowo umiejscowiony (strona 5).
- Pasek do stopy/nogi (Foot/Leg Strap): sprawdź, czy paski są dobrze zamocowane i prawidłowo umiejscowione (strona 6).
- Płyta pod stopę (Foot Plate): sprawdź, czy płyta pod stopę (Foot Plate) jest prawidłowo zamocowana w gnieździe płyty pod stopę (Foot Plate Slot) oraz całkowicie zablokowana.

### Dezynfekcja

##### Ostrzeżenia

- Niedostateczne czyszczenie może zakłócić proces dezynfekcji i prowadzić do przenoszenia patogenów.
- Nie należy używać żadnych środków dezynfekujących ani środków ściernych/korozyjnych, które nie znajdują się na liście zatwierdzonych środków czyszczących.
- Należy zawsze czytać instrukcje producenta i konsultuj się z MSDS producenta dotyczącymi produktów czyszczących i dezynfekujących.
- Nie stosować żadnej procedury czyszczenia, która wiąże się z przekroczeniem temperatury 65°C/149°F.

##### Ograniczenia użytkowania

Przerwij używanie, jeśli:

- występują jakiegokolwiek pęknięcia lub rozdarcia.
- widoczne jest jakiegokolwiek odsłonięte włókno węglowe.
- płyta pod stopę (Foot Plate) nie jest prawidłowo zamocowana do podstawy dolnej podpory nogi (Lower Leg Support Base).
- podkładka pod nogę (Leg Pad) lub którykolwiek z pasków jest uszkodzony w jakikolwiek sposób.
- rzepy na paskach do nogi/stopy nie zapinają się prawidłowo.
- sprzączka paska do stołu nie zapina się prawidłowo.

### Instrukcje dotyczące dezynfekcji

##### Obróbka wstępna w miejscu użycia

Ważne jest, aby wyczyścić produkt po wyjęciu z opakowania i po każdym zabiegu. Upewnić się, że wszystkie obszary, w tym złącza, zaciski, gniazda, wsporniki i dźwignie, zostały dokładnie oczyszczone po użyciu, aby usunąć wszelkie nagromadzone zanieczyszczenia, które mogą być obecne po zabiegu.

##### Przygotowanie przed czyszczeniem

- Podstawa dolnej podpory nogi (Lower Leg Support Base): usunąć podstawę z materaca.
- Płyta pod stopę (Foot Plate): odłącz płytę pod stopę (Foot Plate) od podstawy (Base).
- Podkładka pod nogę (Leg Pad): usunąć podkładkę z podstawy.
- Pasek do nogi (Leg Strap): rozpiąć pasek tzn. zapewnić rozłączenie obu stron rzepu.
- Pasek do stopy (Foot Strap): rozpiąć pasek tzn. zapewnić rozłączenie obu stron rzepu.
- Pasek do stołu (Table Strap): rozpiąć sprzączkę paska.

www.adeptmedical.com/imaging-table-accessories/lower-leg-support/training?group=cleaning-instructions

##### Czyszczenie: Ręczne

Podstawa dolnej podpory nogi (Lower Leg Support Base)/płyta pod stopę (Foot Plate)

- Oplukać wodą w przypadku widocznego zabrudzenia.
- Te elementy można całkowicie zanurzyć w wodzie.
- Można użyć szczotki o miękkim włosiu.
- Zapewnić całkowite usunięcie zabrudzenia.
- Upewnić się, że wszystkie elementy są całkowicie wysuszone przed dezynfekcją.

Podkładka pod nogę (Leg Pad)/pasek do nogi (Leg Strap)/pasek do stopy (Foot Strap)/pasek do stołu (Table Strap)

- Oplukać wodą w przypadku widocznego zabrudzenia.
- Tych elementów nie należy zanurzać w wodzie.
- W razie potrzeby można użyć szczotki z miękkim włosiem.
- Zapewnić całkowite usunięcie zabrudzenia.
- Upewnić się, że wszystkie elementy są całkowicie wysuszone przed dezynfekcją.

##### Dezynfekcja

Należy zapoznać się z listą zatwierdzonych środków czyszczących, aby wybrać odpowiedni środek dezynfekujący.

Dolna podpora nogi (Lower Leg Support):

- wszystkie powierzchnie, włącznie z wnętrzem gniazda na płytę pod stopę (Foot Plate), wytrzeć szmatką zwilżoną zatwierdzonym środkiem dezynfekującym.

Płyta pod stopę (Foot Plate)/podkładka pod nogę (Leg Pad)/pasek do nogi (Leg Strap)/pasek do stopy (Foot Strap) i pasek do stołu (Table Strap):

- wszystkie powierzchnie wytrzeć szmatką zwilżoną zatwierdzonym środkiem dezynfekującym.

### Lista zatwierdzonych środków czyszczących

##### Zatwierdzone środki dezynfekujące poszczególnych marek

##### Płyny:

ORION Laboratories - 70% alkohol izopropylowy
Jaychem Industries - 2% chlorheksydyny / 70% alkoholu
Betadine - Powidon jodu (7,5%)
BODE Chemie GmbH - Kohrsolin FF
STERIS - Spray kryjący TB
CaviCide - Metrex Research

##### Środki rozpuszczalne:

Du Pont - Tabletki Rely+On Virkon

##### Chusteczki do powierzchni:

Wybielacz PDI Sani-Cloth
AF3 PDI Sani-Cloth
Reynard Health Supplies - Chusteczki do dezynfekcji powierzchni
Metrex Research - CaviWipes
Chusteczki Clinell - Uniwersalne (Zielone)
Chusteczki z nadtlenkiem wodoru Clorox

##### Zatwierdzone aktywne składniki dezynfekujące

##### Na bazie kwasu:

≤10% kwas jabłkowy CAS 6915-15-7
≤6% Kwas amidosulfonowy CAS 5329-14-6

##### Na bazie alkoholu:

≤5% 2-butoksyetanol CAS 111-76-2
≤10% butylodiglikol CAS 112-34-5
≤70% alkohol izopropylowy (propan-2-ol) CAS 67-63-0
≤10% tridekanol CAS 69011-36-5
<10% alkohole, C12-14, etoksylovane CAS 68439-50-9
≤70% denaturowany etanol CAS 64-17-5

##### Na bazie siarczanów:

≤0,1% PHMB CAS 27083-27-8
≤55% peroksymonosiarczan potasu CAS 70693-62-8
≤3% nadsiarczan potasu CAS 7727-21-1

##### Na bazie amoniaku i chlorków:

≤5% chlorek benzalkoniowy CAS 68424-85-1
≤0,28% chlorek benzetoniowy CAS 121-54-0
≤10% chlorek benzylo-C23-18-alkilo-dimetyloamoniowy CAS 8001-54-5
≤2% chlorheksydyna CAS 55-56-1
≤10% chlorek didecyldimetyloamoniowy CAS 7173-51-5
≤0,5% czwartorzędowe związki amoniowe CAS 68956-79-6
<5% chlorki benzylo-C12-18 alkilidimetyloamoniowe CAS 63891-01-5

##### Inne:

≤10% glutaral CAS 111-30-8
≤0,63% podchloryn sodu CAS 7681-52-9
≤7,5% Powidon Jod CAS 25655-41-8
0,5% dipropionian disodowy kakaoamponu CAS 68604-71-7
≤1,4% nadtlenek wodoru CAS 7722-84-1

Dostęp do najnowszej listy zatwierdzonych środków czyszczących można uzyskać na stronie www.adeptmedical.com/resources

##### Suszenie

Wszystkie elementy należy dokładnie wysuszyć przed użyciem.

##### Konserwacja, kontrola i testowanie

Dolna podpora nogi (Lower Leg Support)/płyta pod stopę (Foot Plate):

- brak widocznego odsłoniętego włókna węglowego.
- brak widocznych uszkodzeń lub ostrych krawędzi, np. pęknięć.
- zapewnić prawidłowe zamocowanie płyty pod stopę (Foot Plate) do dolnej podpory nogi (Lower Leg Support).

Podkładka pod nogę (Leg Pad):

- brak widocznych uszkodzeń lub rozdarć.

Pasek do stopy (Foot Strap)/pasek do nogi (Leg Strap):

- brak widocznych uszkodzeń lub rozdarć.
- rzep musi prawidłowo zapinać się.

Pasek do stołu (Table Strap):

- brak widocznych uszkodzeń lub rozdarć.
- sprzączka musi prawidłowo zapinać się i rozpinać się bez zakłóceń.

##### Opakowanie

Nie jest wymagane pakowanie urządzenia po dezynfekcji.

##### Sterylizacja

To urządzenie nie powinno być poddawane procesom sterylizacji.

##### Przechowywanie

Po zakończeniu dezynfekcji i wyschnięciu wszystkich elementów urządzenie należy przechowywać w suchym miejscu.

#### Utylizacja

Zużyty produkt stanowi zagrożenie biologiczne, należy odkazić go zgodnie z instrukcją podaną w Instrukcji dezynfekcji i skontaktować się z producentem pod adresem adeptmedical@adept.co.nz w celu uzyskania specyfikacji materiału, jeśli jest to wymagane. Utylizować zgodnie z wewnętrzną polityką kliniki, biorąc pod uwagę lokalne przepisy.

#### Poważne incydenty

Każdy poważny incydent, który ma miejsce w związku z urządzeniem powinien być niezwłocznie zgłaszany do:

- Właściwego organu odpowiedniego państwa członkowskiego.
- Wytwórcy korzystającego z Formularza zgłaszania poważnych incydentów znajdującego się na Stronie Adept Medical: www.adeptmedical.com/contact/serious-incident-reporting-form

Powyższe instrukcje zostały zatwierdzone przez producenta wyrobu medycznego jako umożliwiające przygotowanie wyrobu medycznego do ponownego użycia. Obowiązkiem przetwórcy jest zapewnienie, że przetwarzanie, faktycznie przeprowadzone przy użyciu sprzętu, materiałów i personelu w zakładzie przetwórstwa, przyniesie pożądane rezultaty. Wymaga to weryfikacji i/lub walidacji oraz rutynowego monitorowania procesu.

Aby uzyskać szczegółowe instrukcje wizualne związane z tym urządzeniem należy odwiedzić Adept Medical.
www.adeptmedical.com

	<b>Página</b>
<b>Instruções de Utilização</b>	<b>1</b>
<b>Registo de produto</b>	<b>2</b>
<b>Índice</b>	<b>3</b>
<b>Desembalagem</b>	<b>4</b>
<b>Montagem</b>	<b>4</b>
<b>Instalação</b>	<b>4</b>
Correias de aperto de mesa para a imobilização do aparelho.	<b>5</b>
Remoção do apoio de pé (Foot Plate)	<b>7</b>
<b>Peças sobresselentes</b>	<b>7</b>
Código de produto	<b>7</b>
Códigos de componentes	<b>7</b>
<b>Verificação da tabela de imagens</b>	<b>7</b>
O produto foi avaliado quanto ao risco para operar dentro das especificações abaixo	<b>7</b>
Ângulo da marquesa: +/- 15° lateral e longitudinal	<b>7</b>
Superfície da marquesa: Plana	<b>7</b>
<b>Informação Essencial</b>	<b>8</b>

<b>Informação</b>
<b>Finalidade prevista</b>
Para apoiar e imobilizar a perna de um paciente deitado durante uma cirurgia endovascular.

**Utilizador previsto/Formação necessária**  
A utilização destina-se a profissionais médicos qualificados

**Grupo-alvo de pacientes**  
Paciente adulto, sexo masculino ou feminino que necessite de um diagnóstico de imagem e terapia orientada por imagem.

**Contra-indicações**

- O peso do paciente não deve exceder os 135 kg.
- Não se destina a uso pediátrico.

**Avisos e precauções**

- Assegure-se da leitura das instruções de utilização antes da utilização do produto.
- Assegure-se de que são efetuadas as limpezas preparatórias.
- Assegure-se de que efetua as verificações de preparação do produto.
- Não aperte demasiado a perna ou as correias para pés (Leg & Foot Straps).
- Não utilize em pacientes cujo peso exceda os 135 kg.

**Diretrizes de denúncia de incidente**  
Para fins de queixa ou relato de incidentes, preencha o formulário em [www.adeptmedical.com/contact/service-and-repairs](http://www.adeptmedical.com/contact/service-and-repairs)

**Verificações iniciais e limpeza**

**Limpeza**  
Consulte as instruções de desinfeção.

**Verificações do produto**

- Inexistência de quebras na superfície de fibra de carbono.
- Inexistência de danos ou de pontas salientes, como fraturas.
- Correias: assegure-se de que não contêm danos, por exemplo, rasgos.
- Correia para marquesa (Table Strap): assegure-se de que a fivela funciona devidamente.
- Correia para marquesa (Table Strap): assegure-se de que a correia para marquesa (Table Strap) está segura e devidamente colocada (página 5).
- Correia para pé/perna (Foot/Leg Strap): assegure-se de que as correias estão seguras e corretamente colocadas (página 6).
- Apoio de pé (Foot Plate): assegure-se de que o apoio de pé (Foot Plate) se encontra devidamente colocado na ranhura do apoio de pé (Foot Plate) e completamente inserido.

#### Avisos

- Uma limpeza inadequada pode comprometer o processo de desinfeção e induzir a uma transmissão de organismos patogénicos.
- Não utilize produtos de desinfeção ou agentes abrasivos/corrosivos que não constem na lista de produtos de limpeza aprovados.
- Leia sempre as instruções do produto e consulte a MSDS do fabricante para os produtos de limpeza e desinfeção.
- Não recorra a processos de limpeza que excedam os 65 °C/149 °F.

**Limitações de processamento**  
Pare a utilização se:

- Quaisquer fraturas ou quebras estiverem presentes.
- Houver fibra de carbono visível.
- O apoio de pé (Foot Plate) não encaixa devidamente na base de apoio (Support Base) da parte inferior da perna (Lower Leg Support).
- Vir quaisquer rasgos na almofada de perna (Leg Pad) ou em qualquer uma das correias.
- O fecho de velcro na correia para perna/pé não apertar devidamente.
- A fivela da correia para marquesa (Table Strap) não prender devidamente.

**Instruções de desinfeção**

**Tratamento inicial de utilização**  
É importante limpar o produto logo que seja removido da embalagem e após cada procedimento. Assegure-se de que todas as áreas, incluindo, articulações, clips, encaixes, suportes e alavancas são limpas minuciosamente após a utilização de modo a remover toda a acumulação de sujidade que pode permanecer após um procedimento.

**Preparação antes de limpeza**

- Base de apoio da parte inferior da perna (Lower Leg Support): retire a base do colchão.
- Apoio de pé (Foot Plate): retire o apoio de pé (Foot Plate) da base.
- Almofada de perna (Leg Pad): retire o enchimento da base.
- Correia para perna (Leg Strap): desaperte a correia, por exemplo, assegure que o lados do fecho de velcro não estão unidos.
- Correia para pé (Foot Strap): desaperte a correia, por exemplo, assegure que o lados do fecho de velcro não estão unidos.
- Correia para marquesa (Table Strap): desprenda a fivela na correia.

[www.adeptmedical.com/imaging-table-accessories/lower-leg-support/training?group=cleaning-instructions](http://www.adeptmedical.com/imaging-table-accessories/lower-leg-support/training?group=cleaning-instructions)

**Limpeza: manual**  
Base de apoio da parte inferior da perna/Apoio de pé (Lower Leg Support/Foot Plate)

- Enxagúe com água caso exista sujidade visível.
- Estes componentes podem ser completamente submersos em água.
- Pode utilizar uma escova de cerdas macias, caso necessário.
- Garanta que toda a sujidade é removida.
- Assegure-se de que todos os componentes estão completamente secos antes da desinfeção.

Almofada de perna/Correia para perna/Correia para pé/Correia para marquesa (Leg Pad/Leg Strap/Foot Strap/Table Strap)

- Enxagúe com água caso exista sujidade visível.
- Estes componentes não devem ser completamente submersos em água.
- Pode utilizar uma escova de cerdas macias, caso necessário.
- Garanta que toda a sujidade é removida.
- Assegure-se de que todos os componentes estão totalmente secos antes da desinfeção.

**Desinfeção**  
Consulte a lista de produtos de limpeza aprovados para uma seleção de agentes de desinfeção adequados.

Suporte da parte inferior da perna (Lower Leg Support):

- Limpe todas as superfícies com um pano humedecido num desinfetante aprovado, incluindo o interior da ranhura no apoio de pé (Foot Plate)

Apoio de pé/Almofada de perna/Correia para perna/Correia para pé e correia para marquesa (Foot Plate/Leg Pad/Leg Strap/Foot Strap and Table Strap):

- Limpe todas as superfícies com um pano humedecido num desinfetante aprovado.

#### Lista de produtos de limpeza aprovados

**Desinfetante aprovado por marcas**

**Líquidos:**  
ORION Laboratories - Álcool isopropílico 70%  
Jaychem Industries - Clorexidina 2%/Álcool 70%  
Betadine - Iodopovidona (7,5%)  
BODE Chemie GmbH - Kohrsolin FF  
STERIS - Coverage Spray TB  
CaviCide - Metrex Research

**Dissolvente:**  
Du Pont - Pastilhas Rely+On Virkon

**Toalhitas de limpeza:**  
PDI Sani-Cloth Lixívia  
PDI Sani-Cloth AF3  
Reynard Health Supplies - Toalhitas de desinfeção de superfícies  
Metrex Research - CaviWipes  
Toalhitas Clinell - Universais (Verdes)  
Toalhitas de peróxido de hidrogénio da Clorox

**Ingredientes de desinfeção ativa aprovados**

**Base de ácido:**  
Ácido málico ≤10% CAS 6915-15-7  
Ácido sulfâmico ≤6% CAS 5329-14-6

**Base de álcool:**  
2-Butoxietanol ≤5% CAS 111-76-2  
Butildiglicol ≤10% CAS 112-34-5  
Álcool isopropílico ≤70% (Propan-2-ol) CAS 67-63-0  
Tridecanol ≤10% CAS 69011-36-5  
Álcoois <10%, C12-14, etoxilados CAS 68439-50-9  
Etanol desnaturalizado ≤70% CAS 64-17-5

**Base de sulfatos:**  
PHMB ≤0,1% CAS 27083-27-8  
Peroximonosulfato de potássio ≤55% CAS 70693-62-8  
Persulfato de potássio ≤3% CAS 7727-21-1

**Base de amónio e cloro:**  
Cloreto de benzalcónio ≤5% CAS 68424-85-1  
Cloreto de benzetónio ≤0,28% CAS 121-54-0  
Cloreto de benzalcónio-C23-18 ≤10% CAS 8001-54-5  
Clorexidina ≤2% CAS 55-56-1  
Cloreto de didecildimetilamónio ≤10% CAS 7173-51-5  
Sais de amónio quaternário ≤0,5% CAS 68956-79-6  
Cloretos de benzalcónio-C 12-18 <5% CAS 63891-01-5

**Outros:**  
Glutaraldeído ≤10% CAS 111-30-8  
Hipoclorito de sódio ≤0,63% CAS 7681-52-9  
Iodopovidona ≤7,5% CAS 25655-41-8  
Dipropionato de cocoamfodiacetato dissódico 0,5% CAS68604-71-7  
Peróxido de hidrogénio ≤1,4% CAS 7722-84-1

Aceda à lista mais recente de produtos de limpeza aprovados via [www.adeptmedical.com/resources](http://www.adeptmedical.com/resources)

#### Secagem

Todos os componentes devem encontrar-se devidamente secos antes de cada utilização.

**Manutenção, Inspeção e testagem**  
Suporte da parte inferior da perna/apoio de pé (Lower Leg Support/Foot Plate):

- Inexistência de fibra de carbono visível.
- Inexistência de danos ou de pontas salientes, como fraturas.
- Assegure-se de que o apoio de pé (Foot Plate) encaixa devidamente no suporte da parte inferior da perna (Lower Leg Support).

Almofada de perna (Leg Pad):

- Sem danos visíveis ou rasgos.

Correia para pé/Correia para perna (Foot Strap/Leg Strap):

- Sem danos visíveis ou rasgos.
- O fecho de velcro deve colar firmemente.

Correia para marquesa (Table Strap):

- Sem danos visíveis ou rasgos.
- A fivela deve apertar e desapertar devidamente.

**Embalagem**  
Não necessita de voltar a inserir o produto na embalagem após desinfeção.

**Esterilização**  
Este produto não deve ser submetido a processos de esterilização.

**Armazenamento**  
Assim que a desinfeção estiver concluída e todos os componentes estiverem secos, o produto deve ser armazenado num ambiente seco.

**Eliminação**

O produto utilizado é um risco biológico, efetue a descontaminação de acordo com as instruções fornecidas nas Instruções de desinfeção e contacte o fabricante através de [adeptmedical@adept.co.nz](mailto:adeptmedical@adept.co.nz) caso necessite de especificações do material. Elimine o produto de acordo com as políticas internas da clínica e em conformidade com as regulamentações locais.

**Incidentes graves**

Qualquer incidente que ocorra relacionado com o produto deve ser imediatamente denunciado:

- À autoridade competente do estado membro vigente.
- Ao fabricante, preenchendo o formulário de incidentes graves disponível no website da Adept Medical: [www.adeptmedical.com/contact/serious-incident-reporting-form](http://www.adeptmedical.com/contact/serious-incident-reporting-form)

As instruções que constam acima foram validadas pelo fabricante do produto médico como sendo capazes de preparar o instrumento para repetidas utilizações. O encarregado permanece responsável por garantir que todos os processos, como a utilização efetiva do equipamento, materiais e funcionários nas instalações de processamento, atingem o resultado pretendido. Isto necessita de verificação e/ou validação e monitorização de rotina do processo.

Visite o website da Adept Medical para instruções visuais detalhadas relacionadas com este produto. [www.adeptmedical.com](http://www.adeptmedical.com)

	<b>Pagină</b>
<b>Instrucțiuni de utilizare</b>	<b>1</b>
<b>Inregistrarea produsului</b>	<b>2</b>
<b>Cuprins</b>	<b>3</b>
<b>Despachetare</b>	<b>4</b>
<b>Asamblare</b>	<b>4</b>
<b>Configurare</b>	<b>4</b>
Strângerea chingilor mesei pentru fixarea dispozitivului.	<b>5</b>
Îndepărtarea plăcii pentru laba piciorului (Foot Plate)	<b>7</b>
<b>Piese de schimb</b>	<b>7</b>
Codul produsului	<b>7</b>
Codurile componentelor	<b>7</b>
<b>Verificarea tabelului de imagini</b>	<b>7</b>
Produsul a fost evaluat pentru a funcționa în conformitate cu specificațiile de mai jos	<b>7</b>
Înclinația mesei: +/- 15° lateral și longitudinal	<b>7</b>
Suprafața mesei: Plană	<b>7</b>
<b>Informații esențiale</b>	<b>8</b>


## Informații

### Scopul prevăzut

Pentru a susține și imobiliza piciorul unui pacient aflat în decubit dorsal în timpul unei intervenții chirurgicale endovasculare.

### Utilizatorul vizat/necesitate de instruire

Produsul este destinat utilizării de către profesioniști instruiți din domeniul sănătății.

### Grup țintă de pacienți

Pacienții adulți de sex masculin sau feminin care necesită imagistică de diagnosticare și terapie ghidată imagistic.

### Contraindicații

- A nu se utiliza la pacienții cu greutatea peste 135 kg.
- Produsul nu este destinat utilizării pediatrice.

### Avertismente și precauții

- Citiți instrucțiunile înainte de utilizare.
- Efectuați curățarea pregătitoare.
- Verificați produsul înainte de utilizare.
- Nu strângeți prea tare chingile pentru picior și laba piciorului (Leg & Foot Straps).
- A nu se utiliza la pacienți cu greutatea peste 135 kg.

### Ghid de raportare a incidentelor

Pentru reclamații și incidente cu privire la acest produs, vă rugăm să completați formularul la: www.adeptmedical.com/contact/service-and-repairs

## Verificări inițiale și curățare

### Curățare

Consultați instrucțiunile de dezinfectare.

### Verificări ale produsului

- Fără rupturi pe suprafața fibrei de carbon.
- Fără deteriorare vizibilă sau margini ascuțite, de ex. fisuri.
- Chingi: Asigurați-vă că nu prezintă deteriorări, de exemplu, rupturi.
- Chingă masă (Table Strap): Asigurați-vă că închizătoarea se poate cupla și decupla complet fără probleme.
- Chingă masă (Table Strap): Asigurați-vă că chinga mesei (Table strap) este fixată bine și așezată corect (pagina 5).
- Chingă pentru laba piciorului/picior (Foot/Leg Strap): Asigurați-vă că chingile sunt bine fixate și așezate corect (pagina 6).
- Placă pentru laba piciorului (Foot Plate): Asigurați-vă că placa pentru laba piciorului (Foot Plate) este plasată corect în fanta plăcuței pentru laba piciorului (Foot Plate Slot) și este blocată complet.

### Dezinfectare

### Avertismente

- Curățarea insuficientă poate compromite procesul de dezinfectare și poate duce la transmiterea agenților patogeni.
- Nu utilizați produse dezinfectante sau agenți abrazivi/corozivi care nu se află pe lista agenților de curățare aprobați.
- Citiți întotdeauna instrucțiunile producătorului și consultați fișa cu date de securitate (MSDS) a producătorului pentru produsele de curățare și dezinfectare.
- Nu utilizați nicio procedură de curățare care depășește 65 °C/149 °F.

### Limitări ale utilizării

Între rupeți utilizarea produsului dacă:

- Există orice fisuri sau rupturi.
- Este vizibilă orice fibră de carbon expusă.
- Placa pentru laba piciorului (Foot Plate) nu se potrivește bine în baza suportului pentru partea inferioară a piciorului (Lower Leg Support Base).
- Se observă vreo ruptură pe protecția pentru picior (Leg Pad) sau pe oricare dintre chingi.
- Cârligul și bucla de pe chinga pentru laba piciorului/picior (Leg/Foot Strap) nu seuplează strâns.
- Închizătoarea chingii mesei (Table Strap) nu se fixează bine.

## Instrucțiuni de dezinfectare

### Tratamentul inițial la punctul de utilizare

Este important să curățați produsul atunci când acesta este scos din ambalaj și după fiecare procedură. Asigurați-vă că toate zonele, inclusiv articulațiile, clemele, elementele de fixare, suporturile și părghiile sunt curățate corespunzător după utilizare pentru a îndepărta toate depunerile de contaminanți care pot fi prezente în urma unei proceduri.

### Pregătire înainte de curățare

- Baza suportului pentru partea inferioară a piciorului (Lower Leg Support Base): Îndepărtați baza de pe saltea.
- Placă pentru laba piciorului (Foot Plate): Detașați placa pentru laba piciorului (Foot Plate) de bază.
- Protecție picior (Leg Pad): Îndepărtați protecția de pe bază.
- Chingă pentru picior (Leg Strap): Desfaceți chinga, adică asigurați-vă că partea cu „cârlig” și cea cu „buclă” nu sunt conectate.
- Chingă pentru laba piciorului (Foot Strap): Desfaceți chinga, adică asigurați-vă că partea cu „cârlig” și cea cu „buclă” nu sunt conectate.
- Chingă masă (Table Strap): Desfaceți închizătoarea chingii.

www.adeptmedical.com/imaging-table-accessories/lower-leg-support/training?group=cleaning-instructions

### Curățare: Manuală

Baza suportului pentru partea inferioară a piciorului (Lower Leg Support Base)/Placă pentru laba piciorului (Foot Plate)

- Dacă este vizibil murdară, clătiți cu apă.
- Aceste componente pot fi complet scufundate în apă.
- Se poate folosi o perie de curățare cu peri moi, dacă este necesar.
- Asigurați-vă că murdăria este complet îndepărtată.
- Asigurați-vă că toate componentele sunt complet uscate înainte de dezinfectare.

Protecție picior (Leg Pad)/Chingă pentru picior (Leg Strap)/Chingă pentru laba piciorului (Foot Strap)/Chingă masă (Table Strap)

- Dacă este vizibil murdară, clătiți cu apă.
- Aceste componente nu trebuie să fie scufundate complet în apă.
- Se poate folosi o perie de curățare cu peri moi, dacă este necesar.
- Asigurați-vă că murdăria este complet îndepărtată.
- Asigurați-vă că toate componentele sunt complet uscate înainte de dezinfectare.

### Dezinfectare

Consultați lista agenților de curățare aprobați pentru a alege un dezinfectant adecvat.

Suport pentru partea inferioară a piciorului (Lower Leg Support):

- Cu o cârpă umezită cu un dezinfectant aprobat, ștergeți toate suprafețele, inclusiv în interiorul fantei plăcii pentru laba piciorului (Foot Plate).

Placă pentru laba piciorului (Foot Plate)/Protecție picior (Leg Pad)/Chingă pentru picior (Leg Strap)/Chingă pentru laba piciorului (Foot Strap) și Chingă masă (Table Strap):

- Cu o cârpă umezită cu un dezinfectant aprobat, ștergeți toate suprafețele.

### Lista agenților de curățare aprobați

### Dezinfectanți aprobați după mărci

### Soluții lichide:

ORION Laboratories - 70 % alcool izopropilic

Jaychem Industries - 2 % clorhexidină/70 % alcool

Betadine - Povidonă iodată (7,5 %)

BODE Chemie GmbH - Kohrsolin FF

STERIS - Coverage Spray TB

CaviCide - Metrex Research

### Agenți care se dizolvă:

Du Pont - Tablete Rely+On Virkon

### Șervețele pentru suprafețe:

PDI Sani-Cloth Bleach

PDI Sani-Cloth AF3

Reynard Health Supplies - Șervețele dezinfectante pentru suprafețe

Metrex Research - CaviWipes

Clinell Wipes - Universal (verde)

Șervețele Clorox cu peroxid de hidrogen

## Substanțe active dezinfectante aprobate

#### Pe bază de acid:

≤10 % acid malic CAS 6915-15-7

≤6 % acid sulfamic CAS 5329-14-6

#### Pe bază de alcool:

≤5 % 2-butoxietanol CAS 111-76-2

≤10 % butildiglicol CAS 112-34-5

≤70 % alcool izopropilic (propan-2-ol) CAS 67-63-0

≤10 % tridecanol CAS 69011-36-5

<10 % alcoolii, C12-14, etoxilați CAS 68439-50-9

≤70 % etanol denaturat CAS 64-17-5

#### Pe bază de sulfat:

≤0,1 % PHMB CAS 27083-27-8

≤55 % peroximonosulfat de potasiu CAS 70693-62-8

≤3 % persulfat de potasiu CAS 7727-21-1

#### Pe bază de amoniu și clorură:

≤5 % clorură de benzalconiu CAS 68424-85-1

≤0,28 % clorură de benzetoniu CAS 121-54-0

≤10 % clorură de benzil-C23-18-alchil-dimetil amoniu CAS 8001-54-5

≤2 % clorhexidină CAS 55-56-1

≤10 % clorură de didecil-dimetil-amoniu CAS 7173-51-5

≤0,5 % compuși cuaternari de amoniu CAS 68956-79-6

<5 % cloruri de benzil-C 12-18-alchildimetil amoniu CAS 63891-01-5

#### Altele:

≤10 % glutaral CAS 111-30-8

≤0,63 % hipoclorit de sodiu CAS 7681-52-9

≤7,5 % iod povidonă CAS 25655-41-8

0,5 % cocoamfodipropionat disodic CAS 68604-71-7

≤1,4 % peroxid de hidrogen CAS 7722-84-1

Aceseați cea mai recentă listă de agenți de curățare aprobați la www.adeptmedical.com/resources

### Uscare

Toate componentele trebuie uscate bine înainte de utilizare.

### Întreținere, inspecție și testare

Suport pentru partea inferioară a piciorului (Lower Leg Support)/Placă pentru laba piciorului (Foot Plate):

- Nu este vizibilă nicio fibră de carbon expusă.
- Fără deteriorare vizibilă sau margini ascuțite, de ex. fisuri.
- Asigurați-vă că placa pentru laba piciorului (Foot Plate) se fixează bine în suportul pentru partea inferioară a piciorului (Lower Leg Support).

Protecție picior (Leg Pad):

- Nu există daune vizibile sau rupturi.

Chingă pentru laba piciorului (Foot Strap)/Chingă pentru picior (Leg Strap):

- Nu există daune vizibile sau rupturi.
- Cârligul și bucla trebuie să se prindă bine.

Chingă masă (Table Strap):

- Nu există daune vizibile sau rupturi.
- Închizătoarea se poate cupla și decupla complet fără probleme.

### Ambalare

Nu este necesară ambalarea dispozitivului după dezinfectare.

### Sterilizare

Acest dispozitiv nu trebuie supus proceselor de sterilizare.

### Depozitare

Odată ce procedura de dezinfectare este completă și toate componentele sunt uscate, dispozitivul trebuie depozitat într-un loc uscat.

## Eliminare

Produsul uzat este un pericol biologic; decontaminați conform instrucțiunilor furnizate în Instrucțiunile de dezinfectare și contactați producătorul la adeptmedical@adept.co.nz pentru specificațiile materialelor, dacă este necesar. Eliminați conform politicii interne a clinicii, respectând reglementările locale.

## Incidente grave

Orice incident grav care are loc în legătură cu dispozitivul trebuie raportat imediat la:

- Autoritatea competentă a statului membru respectiv.
- Producător, utilizând formularul de raportare a incidentelor grave disponibil pe site-ul web Adept Medical: www.adeptmedical.com/contact/serious-incident-reporting-form

Instrucțiunile furnizate mai sus au fost validate de producătorul dispozitivului medical ca fiind capabile să pregătească un dispozitiv medical pentru reutilizare. Este responsabilitatea operatorului să se asigure că utilizarea, așa cum este efectuată folosind echipamente, materiale și personal din unitatea de prelucrare, atinge rezultatul dorit. Acest lucru necesită verificarea și/sau validarea și monitorizarea de rutină a procesului.

Vizitați site-ul web Adept Medical pentru instrucțiuni vizuale detaliate legate de acest dispozitiv.
www.adeptmedical.com

Страница	
Инструкции по эксплуатации	<b>1</b>
Регистрация изделия	<b>2</b>
Содержание	<b>3</b>
Распаковка	<b>4</b>
Сборка	<b>4</b>
Подготовка к эксплуатации	<b>4</b>
Затяжка ремней стола для фиксации изделия	<b>5</b>
Снятие подножки (Foot Plate)	<b>7</b>
Компоненты изделия	<b>7</b>
Артикул изделия	<b>7</b>
Артикулы компонентов	<b>7</b>
Совместимость с ангиографическим столом	<b>7</b>
Оценка риска, связанного с эксплуатацией изделия, была проведена в соответствии с приведёнными ниже спецификациями	<b>7</b>
Угол наклона стола: +/- 15° в поперечном и продольном направлении	<b>7</b>
Поверхность стола: плоская	<b>7</b>
Важные сведения	<b>8</b>

<p><b>Общая информация</b></p>
<p><b>Назначение изделия</b></p> Поддержка и фиксация ноги пациента в положении на спине во время эндоваскулярных хирургических вмешательств.
<p><b>Требования к квалификации и обучению пользователей</b></p> Изделие предназначено для использования квалифицированными медицинскими работниками.
<p><b>Целевая группа пациентов</b></p> Взрослые пациенты мужского и женского пола, которым требуются диагностическая томография и процедуры под контролем томографии.
<p><b>Противопоказания</b></p> <ul style="list-style-type: none"><li>Изделие не предназначено для пациентов с массой тела более 135 кг.</li> <li>Изделие не предназначено для использования в педиатрии.</li></ul>
<p><b>Предупреждения и меры предосторожности</b></p> <ul style="list-style-type: none"><li>Перед использованием изделия необходимо прочесть инструкции по эксплуатации.</li> <li>Перед использованием изделия необходимо проводить его чистку.</li> <li>Перед использованием изделия необходимо проводить его проверку.</li> <li>Не перетягивайте ремни для ног (Leg Strap) и ступни (Foot Strap).</li> <li>Изделие не предназначено для пациентов с массой тела более 135 кг.</li></ul>

**Инструкции по отправке жалоб об изделии**
Чтобы отправить жалобу либо сообщить о неудовлетворительном состоянии или функционировании изделия, заполните форму на по адресу: [www.adeptmedical.com/contact/service-and-repairs](http://www.adeptmedical.com/contact/service-and-repairs)

## Проверки и чистка перед использованием

**Чистка изделия**
См. раздел «Инструкции по дезинфекции».

**Проверки изделия**

- Убедитесь в отсутствии разрывов углеродных волокон на поверхности изделия.
- Убедитесь в отсутствии на изделии видимых повреждений и острых кромок, например трещин.
- Ремни (Strap): убедитесь в отсутствии повреждений, например разрывов.
- Ремень для стола (Table Strap): убедитесь, что пряжка полностью застёгивается и беспрепятственно расстёгивается.
- Ремень для стола (Table Strap): убедитесь, что ремень для стола (Table Strap) надёжно закреплён и расположен должным образом (стр. 5).
- Ремни для ноги и ступни (Foot/Leg Strap): убедитесь, что ремни надёжно закреплены и расположены должным образом (стр. 6) .
- Подножка (Foot Plate): убедитесь, что подножка должным образом установлена в паз для подножки и полностью вставлена в него.

### Дезинфекция

**Предупреждения**

- Недостаточная очистка может привести к нарушению процесса дезинфекции и передаче патогенов.
- Не используйте дезинфицирующие средства и абразивные (коррозионные) вещества, которые не входят в список одобренных чистящих средств.
- Обязательно читайте инструкции производителя чистящих и дезинфицирующих средств и сверяйтесь с их паспортами безопасности (MSDS).
- Не используйте процедуры чистки, при которых температура превышает 65 °C (149 °F).

**Ограничения по эксплуатации**
Прекратите использование изделия в следующих случаях:

- на изделии имеются трещины или повреждения;
- на изделии видны оголённые углеродные волокна;
- подножка (Foot Plate ) ненадёжно закреплена в основание опоры для ноги (Lower Leg Support Base);
- на подушке для ноги (Leg Pad) или любом из ремней (Strap) наблюдается разрыв;
- лента-липучка на ремне для ноги (ступни) (Leg/Foot Strap) не застёгнута должным образом;
- пряжка ремня для стола (Table Strap) застёгнута ненадёжно.

## Инструкции по дезинфекции

**Первоначальное обслуживание на месте эксплуатации**
Важно проводить чистку изделия после извлечения из упаковки и после каждой процедуры. Убедитесь, что все области, включая соединения, фиксаторы, гнезда, кронштейны и рычаги, тщательно очищены после использования, чтобы удалить все загрязнения, которые могут присутствовать после процедуры.

**Подготовка к чистке**

- Основание опоры для ноги (Lower Leg Support Base): снимите основание с матраса.
- Подножка (Foot Plate): отсоедините подножку (Foot Plate) от основания (Base).
- Подушка для ноги (Leg Pad): извлеките подкладку из основания (Base).
- Ремень для ноги (Leg Strap): расстегните ремень, т.е. убедитесь, что стороны ленты-липучки не соединены.
- Ремень для ступни (Foot Strap): расстегните ремень, т.е. убедитесь, что стороны ленты-липучки не соединены.
- Ремень для стола (Table Strap): расстегните пряжку на ремне.

[www.adeptmedical.com/imaging-table-accessories/lower-leg-support/training?group=cleaning-instructions](http://www.adeptmedical.com/imaging-table-accessories/lower-leg-support/training?group=cleaning-instructions)

**Чистка: вручную**
Основание опоры для ноги (Lower Leg Support Base) / подножка (Foot Plate)

- При наличии видимых загрязнений промойте компоненты водой.
- Эти компоненты можно полностью погружать в воду.
- При необходимости можно использовать щётку с мягкой щетиной.
- Убедитесь, что загрязнения полностью удалены.
- Перед дезинфекцией убедитесь, что все компоненты полностью сухие.

Подушка для ноги (Leg Pad), ремень для ноги (Leg Strap), ремень для ступни (Foot Strap), ремень для стола (Table Strap)

- При наличии видимых загрязнений промойте компоненты водой.
- Эти компоненты запрещается полностью погружать в воду.
- При необходимости можно использовать щётку с мягкой щетиной.
- Убедитесь, что загрязнения полностью удалены.
- Перед дезинфекцией убедитесь, что все компоненты полностью сухие.

**Дезинфекция**
Выберите подходящее дезинфицирующее средство согласно списку одобренных чистящих средств.

Основание опоры для ног (Lower Leg Support)

- Протрите все поверхности, включая внутреннюю поверхность паза для подножки (Foot Plate), тканью, увлажнённой одобренным дезинфицирующим средством.

Подножка (Foot Plate), подушка для ноги (Leg Pad), ремень для ноги (Leg Strap), ремень для ступни (Foot Strap) и ремень для стола (Table Strap)

- Протрите все поверхности тканью, увлажнённой одобренным дезинфицирующим средством.

### Список одобренных чистящих средств

**Одобренные марки дезинфицирующих средств**

**Жидкости**
ORION Laboratories — 70% изопропиловый спирт
Jaychem Industries — 2% хлоргексидин / 70% спирт
Betadine — повидон-йод (7,5%)
BAUD Chemie GmbH — Kohrsolin FF
STERIS — Coverage Spray TB
CaviCide — Meterx Research

**Растворимые средства**
Du Pont — таблетки Rely+On Virkon

**Салфетки для дезинфекции поверхностей**
PDI Sani-Cloth Bleach
PDI Sani-Cloth AF3
Reynard Health Supplies — салфетки для дезинфекции поверхностей
Meterx Research — CaviWipes
Салфетки Clinell — универсальные (зелёные)
Салфетки, пропитанные перекисью водорода Clorox

## Одобренные активные дезинфицирующие ингредиенты

**На основе кислот**
≤10% оксиянтарная кислота CAS 6915-15-7
≤6% сульфаминовая кислота CAS 5329-14-6

**На основе спиртов**
≤5% 2-бутоксиэтанол CAS 111-76-2
≤10% бутилдигликоль CAS 112-34-5
≤70% изопропиловый спирт (2-пропалнол) CAS 67-63-0
≤10% тридеканол CAS 69011-36-5
<10% спирты, C12-14, этоксилированный спирт CAS 68439-50-9
≤70% денатурированный этанол CAS 64-17-5

**На основе сульфатов**
≤0,1% полигексаметиленбигуанидин (PHMB) CAS 27083-27-8
≤55% калия пероксимonosульфат CAS 70693-62-8
≤3% калия персульфат CAS 7727-21-1

**На основе аммония и хлоридов**
≤5% бензалкония хлорид CAS 68424-85-1
≤0,28% бензетония хлорид CAS 121-54-0
≤10% бензил-C23-18-алкил-диметиламмония хлорид CAS 8001-54-5
≤2% хлоргексидин CAS 55-56-1
≤10% дидецилдиметиламмония хлорид CAS 7173-51-5
≤0,5% четвертичные аммониевые соединения CAS 68956-79-6
<5% бензил-C12-18-алкилдиметиламмония хлорид CAS 63891-01-5

**Прочие**
≤10% глутарал CAS 111-30-8
≤0,63% натрия гипохлорит CAS 7681-52-9
≤7,5% повидон-йод CAS 25655-41-8
0,5% динатрия кокоамфодипропионат CAS 68604-71-7
≤1,4% перекись водорода CAS 7722-84-1

Новейший список одобренных чистящих средств опубликован на веб-сайте: [www.adeptmedical.com/resources](http://www.adeptmedical.com/resources)

**Сушка**
Перед использованием изделия все его компоненты необходимо тщательно просушить.

**Техническое обслуживание, осмотр и проверка**
Опора для ног (Lower Leg Support), подножка (Foot Plate)

- Убедитесь в отсутствии на изделии оголённых углеродных волокон.
- Убедитесь в отсутствии на изделии видимых повреждений и острых кромок, например трещин.
- Убедитесь, что подножка (Foot Plate) надёжно закреплена в опоре для ног (Lower Leg Support).

Подушка для ноги (Leg Pad)

- Убедитесь в отсутствии видимых повреждений и разрывов.

Ремень для ступни (Foot Strap), ремень для ноги (Leg Strap)

- Убедитесь в отсутствии видимых повреждений и разрывов.
- Убедитесь, что лента-липучка надёжно закреплена.

Ремень для стола (Table Strap)

- Убедитесь в отсутствии видимых повреждений и разрывов.
- Убедитесь, что пряжка полностью застёгивается и беспрепятственно расстёгивается.

**Упаковка**
После дезинфекции упаковка изделия не требуется.

**Стерилизация**
Данное изделие не предназначено для стерилизации.

**Хранение**
После завершения дезинфекции и высыхания всех компонентов изделие следует хранить в сухом месте.

## Утилизация

Использованное изделие представляет биологическую опасность, обеззараживайте его в соответствии с указаниями, приведёнными в инструкциях по дезинфекции, и при необходимости обратитесь к производителю на по адресу [adeptmedical@adept.co.nz](mailto:adeptmedical@adept.co.nz) для получения паспорта безопасности. Утилизируйте изделие в соответствии с правилами, принятыми в медицинском учреждении, с учётом местных нормативных требований.

## Серьёзные инциденты

О любых серьёзных инцидентах, связанных с изделием, следует незамедлительно сообщать:

- в компетентный орган соответствующей страны;
- производителю посредством формы для отправки отчётов о серьёзных инцидентах на веб-сайте Adept Medical: [www.adeptmedical.com/contact/serious-incident-reporting-form](http://www.adeptmedical.com/contact/serious-incident-reporting-form)

Приведённые выше инструкции были одобрены производителем медицинского изделия как пригодные для подготовки медицинского изделия к повторному использованию. Чтобы получить необходимые результаты, лицо, ответственное за выполнение обработки, обязано обеспечить выполнение инструкций с использованием надлежащего оборудования, материалов и силами соответствующих специалистов в помещении для обработки. Для этого обычно требуется выполнить проверку и (или) подтверждение соблюдения инструкций и осуществлять регулярный контроль их соблюдения.

Посетите сайт Adept Medical для подробных наглядных инструкций, связанных с этим устройством. [www.adeptmedical.com](http://www.adeptmedical.com)

	Strana
Uputstvo za upotrebu	<b>1</b>
Registracija proizvoda	<b>2</b>
Sadržaj	<b>3</b>
Raspakivanje	<b>4</b>
Sklapanje	<b>4</b>
Podesite	<b>4</b>
Stezne trake za sto za imobilizaciju uređaja	<b>5</b>
Uklanjanje Foot Plate	<b>7</b>
Rezervni delovi	<b>7</b>
Šifra proizvoda	<b>7</b>
Kodovi komponenti	<b>7</b>
Verifikacija snimka stola	<b>7</b>
Za proizvod je procenjen rizik da radi u okviru ispod navedenih specifikacija	<b>7</b>
Ugao stola: +/- 15° bočno i uzdužno	<b>7</b>
Površina stola: Ravno	<b>7</b>
Osnovne informacije	<b>8</b>

<div><span></span></div> <div><b>Informacije</b></div>
<div><span></span></div> <div><b>Namenjena svrha</b></div>
<div><span></span></div> <div>Da podrži i imobilise nogu pacijenta koji leži na leđima tokom endovaskularne hirurgije.</div>
<div><span></span></div> <div><b>Predviđeni korisnik/uslov za obuku</b></div>
<div><span></span></div> <div>Namenjen za upotrebu od strane obučenih medicinskih stručnjaka.</div>
<div><span></span></div> <div><b>Ciljna grupa pacijenata</b></div>
<div><span></span></div> <div>Odrasli muški ili ženski pacijent koji zahteva dijagnostičko snimanje i sliku usmerene terapije.</div>
<div><span></span></div> <div><b>Kontraindikacije</b></div>
<div><span></span></div> <div> <ul style="list-style-type: none"><li>Ne koristi se kod pacijenata preko 135 kg.</li> <li>Nije za pedijatrijsku upotrebu.</li></ul></div>
<div><span></span></div> <div><b>Upozorenja i mere opreza</b></div>
<div><span></span></div> <div> <ul style="list-style-type: none"><li>Pročitajte Uputstvo pre upotrebe.</li> <li>Uverite se da je pripremno čišćenje sprovedeno.</li> <li>Uverite se da je sprovedena pripremna provera proizvoda.</li> <li>Nemojte previše zatezati Leg i Foot Straps.</li> <li>Ne koristite kod pacijenata preko 135 kg.</li></ul></div>
<div><span></span></div> <div><b>Smernice za prijavu incidenata</b></div>
<div><span></span></div> <div>Za žalbe na proizvode i incidente, popunite formular na: <a href="http://www.adeptmedical.com/contact/service-and-repairs">www.adeptmedical.com/contact/service-and-repairs</a></div>

<div><span></span></div> <div><b>Informacije</b></div>
<div><span></span></div> <div><b>Namenjena svrha</b></div>
<div><span></span></div> <div>Da podrži i imobilise nogu pacijenta koji leži na leđima tokom endovaskularne hirurgije.</div>
<div><span></span></div> <div><b>Predviđeni korisnik/uslov za obuku</b></div>
<div><span></span></div> <div>Namenjen za upotrebu od strane obučenih medicinskih stručnjaka.</div>
<div><span></span></div> <div><b>Ciljna grupa pacijenata</b></div>
<div><span></span></div> <div>Odrasli muški ili ženski pacijent koji zahteva dijagnostičko snimanje i sliku usmerene terapije.</div>
<div><span></span></div> <div><b>Kontraindikacije</b></div>
<div><span></span></div> <div> <ul style="list-style-type: none"><li>Ne koristi se kod pacijenata preko 135 kg.</li> <li>Nije za pedijatrijsku upotrebu.</li></ul></div>
<div><span></span></div> <div><b>Upozorenja i mere opreza</b></div>
<div><span></span></div> <div> <ul style="list-style-type: none"><li>Pročitajte Uputstvo pre upotrebe.</li> <li>Uverite se da je pripremno čišćenje sprovedeno.</li> <li>Uverite se da je sprovedena pripremna provera proizvoda.</li> <li>Nemojte previše zatezati Leg i Foot Straps.</li> <li>Ne koristite kod pacijenata preko 135 kg.</li></ul></div>
<div><span></span></div> <div><b>Smernice za prijavu incidenata</b></div>
<div><span></span></div> <div>Za žalbe na proizvode i incidente, popunite formular na: <a href="http://www.adeptmedical.com/contact/service-and-repairs">www.adeptmedical.com/contact/service-and-repairs</a></div>

<div><span></span></div> <div><b>Informacije</b></div>
<div><span></span></div> <div><b>Namenjena svrha</b></div>
<div><span></span></div> <div>Da podrži i imobilise nogu pacijenta koji leži na leđima tokom endovaskularne hirurgije.</div>
<div><span></span></div> <div><b>Predviđeni korisnik/uslov za obuku</b></div>
<div><span></span></div> <div>Namenjen za upotrebu od strane obučenih medicinskih stručnjaka.</div>
<div><span></span></div> <div><b>Ciljna grupa pacijenata</b></div>
<div><span></span></div> <div>Odrasli muški ili ženski pacijent koji zahteva dijagnostičko snimanje i sliku usmerene terapije.</div>
<div><span></span></div> <div><b>Kontraindikacije</b></div>
<div><span></span></div> <div> <ul style="list-style-type: none"><li>Ne koristi se kod pacijenata preko 135 kg.</li> <li>Nije za pedijatrijsku upotrebu.</li></ul></div>
<div><span></span></div> <div><b>Upozorenja i mere opreza</b></div>
<div><span></span></div> <div> <ul style="list-style-type: none"><li>Pročitajte Uputstvo pre upotrebe.</li> <li>Uverite se da je pripremno čišćenje sprovedeno.</li> <li>Uverite se da je sprovedena pripremna provera proizvoda.</li> <li>Nemojte previše zatezati Leg i Foot Straps.</li> <li>Ne koristite kod pacijenata preko 135 kg.</li></ul></div>
<div><span></span></div> <div><b>Smernice za prijavu incidenata</b></div>
<div><span></span></div> <div>Za žalbe na proizvode i incidente, popunite formular na: <a href="http://www.adeptmedical.com/contact/service-and-repairs">www.adeptmedical.com/contact/service-and-repairs</a></div>

<div><span></span></div> <div><b>Informacije</b></div>
<div><span></span></div> <div><b>Namenjena svrha</b></div>
<div><span></span></div> <div>Da podrži i imobilise nogu pacijenta koji leži na leđima tokom endovaskularne hirurgije.</div>
<div><span></span></div> <div><b>Predviđeni korisnik/uslov za obuku</b></div>
<div><span></span></div> <div>Namenjen za upotrebu od strane obučenih medicinskih stručnjaka.</div>
<div><span></span></div> <div><b>Ciljna grupa pacijenata</b></div>
<div><span></span></div> <div>Odrasli muški ili ženski pacijent koji zahteva dijagnostičko snimanje i sliku usmerene terapije.</div>
<div><span></span></div> <div><b>Kontraindikacije</b></div>
<div><span></span></div> <div> <ul style="list-style-type: none"><li>Ne koristi se kod pacijenata preko 135 kg.</li> <li>Nije za pedijatrijsku upotrebu.</li></ul></div>
<div><span></span></div> <div><b>Upozorenja i mere opreza</b></div>
<div><span></span></div> <div> <ul style="list-style-type: none"><li>Pročitajte Uputstvo pre upotrebe.</li> <li>Uverite se da je pripremno čišćenje sprovedeno.</li> <li>Uverite se da je sprovedena pripremna provera proizvoda.</li> <li>Nemojte previše zatezati Leg i Foot Straps.</li> <li>Ne koristite kod pacijenata preko 135 kg.</li></ul></div>
<div><span></span></div> <div><b>Smernice za prijavu incidenata</b></div>
<div><span></span></div> <div>Za žalbe na proizvode i incidente, popunite formular na: <a href="http://www.adeptmedical.com/contact/service-and-repairs">www.adeptmedical.com/contact/service-and-repairs</a></div>

<div><span></span></div> <div><b>Informacije</b></div>
<div><span></span></div> <div><b>Namenjena svrha</b></div>
<div><span></span></div> <div>Da podrži i imobilise nogu pacijenta koji leži na leđima tokom endovaskularne hirurgije.</div>
<div><span></span></div> <div><b>Predviđeni korisnik/uslov za obuku</b></div>
<div><span></span></div> <div>Namenjen za upotrebu od strane obučenih medicinskih stručnjaka.</div>
<div><span></span></div> <div><b>Ciljna grupa pacijenata</b></div>
<div><span></span></div> <div>Odrasli muški ili ženski pacijent koji zahteva dijagnostičko snimanje i sliku usmerene terapije.</div>
<div><span></span></div> <div><b>Kontraindikacije</b></div>
<div><span></span></div> <div> <ul style="list-style-type: none"><li>Ne koristi se kod pacijenata preko 135 kg.</li> <li>Nije za pedijatrijsku upotrebu.</li></ul></div>
<div><span></span></div> <div><b>Upozorenja i mere opreza</b></div>
<div><span></span></div> <div> <ul style="list-style-type: none"><li>Pročitajte Uputstvo pre upotrebe.</li> <li>Uverite se da je pripremno čišćenje sprovedeno.</li> <li>Uverite se da je sprovedena pripremna provera proizvoda.</li> <li>Nemojte previše zatezati Leg i Foot Straps.</li> <li>Ne koristite kod pacijenata preko 135 kg.</li></ul></div>
<div><span></span></div> <div><b>Smernice za prijavu incidenata</b></div>
<div><span></span></div> <div>Za žalbe na proizvode i incidente, popunite formular na: <a href="http://www.adeptmedical.com/contact/service-and-repairs">www.adeptmedical.com/contact/service-and-repairs</a></div>

<div><span></span></div> <div><b>Informacije</b></div>
<div><span></span></div> <div><b>Namenjena svrha</b></div>
<div><span></span></div> <div>Da podrži i imobilise nogu pacijenta koji leži na leđima tokom endovaskularne hirurgije.</div>
<div><span></span></div> <div><b>Predviđeni korisnik/uslov za obuku</b></div>
<div><span></span></div> <div>Namenjen za upotrebu od strane obučenih medicinskih stručnjaka.</div>
<div><span></span></div> <div><b>Ciljna grupa pacijenata</b></div>
<div><span></span></div> <div>Odrasli muški ili ženski pacijent koji zahteva dijagnostičko snimanje i sliku usmerene terapije.</div>
<div><span></span></div> <div><b>Kontraindikacije</b></div>
<div><span></span></div> <div> <ul style="list-style-type: none"><li>Ne koristi se kod pacijenata preko 135 kg.</li> <li>Nije za pedijatrijsku upotrebu.</li></ul></div>
<div><span></span></div> <div><b>Upozorenja i mere opreza</b></div>
<div><span></span></div> <div> <ul style="list-style-type: none"><li>Pročitajte Uputstvo pre upotrebe.</li> <li>Uverite se da je pripremno čišćenje sprovedeno.</li> <li>Uverite se da je sprovedena pripremna provera proizvoda.</li> <li>Nemojte previše zatezati Leg i Foot Straps.</li> <li>Ne koristite kod pacijenata preko 135 kg.</li></ul></div>
<div><span></span></div> <div><b>Smernice za prijavu incidenata</b></div>
<div><span></span></div> <div>Za žalbe na proizvode i incidente, popunite formular na: <a href="http://www.adeptmedical.com/contact/service-and-repairs">www.adeptmedical.com/contact/service-and-repairs</a></div>

<div><span></span></div> <div><b>Informacije</b></div>
<div><span></span></div> <div><b>Namenjena svrha</b></div>
<div><span></span></div> <div>Da podrži i imobilise nogu pacijenta koji leži na leđima tokom endovaskularne hirurgije.</div>
<div><span></span></div> <div><b>Predviđeni korisnik/uslov za obuku</b></div>
<div><span></span></div> <div>Namenjen za upotrebu od strane obučenih medicinskih stručnjaka.</div>
<div><span></span></div> <div><b>Ciljna grupa pacijenata</b></div>
<div><span></span></div> <div>Odrasli muški ili ženski pacijent koji zahteva dijagnostičko snimanje i sliku usmerene terapije.</div>
<div><span></span></div> <div><b>Kontraindikacije</b></div>
<div><span></span></div> <div> <ul style="list-style-type: none"><li>Ne koristi se kod pacijenata preko 135 kg.</li> <li>Nije za pedijatrijsku upotrebu.</li></ul></div>
<div><span></span></div> <div><b>Upozorenja i mere opreza</b></div>
<div><span></span></div> <div> <ul style="list-style-type: none"><li>Pročitajte Uputstvo pre upotrebe.</li> <li>Uverite se da je pripremno čišćenje sprovedeno.</li> <li>Uverite se da je sprovedena pripremna provera proizvoda.</li> <li>Nemojte previše zatezati Leg i Foot Straps.</li> <li>Ne koristite kod pacijenata preko 135 kg.</li></ul></div>
<div><span></span></div> <div><b>Smernice za prijavu incidenata</b></div>
<div><span></span></div> <div>Za žalbe na proizvode i incidente, popunite formular na: <a href="http://www.adeptmedical.com/contact/service-and-repairs">www.adeptmedical.com/contact/service-and-repairs</a></div>

<div><span></span></div> <div><b>Informacije</b></div>
<div><span></span></div> <div><b>Namenjena svrha</b></div>
<div><span></span></div> <div>Da podrži i imobilise nogu pacijenta koji leži na leđima tokom endovaskularne hirurgije.</div>
<div><span></span></div> <div><b>Predviđeni korisnik/uslov za obuku</b></div>
<div><span></span></div> <div>Namenjen za upotrebu od strane obučenih medicinskih stručnjaka.</div>
<div><span></span></div> <div><b>Ciljna grupa pacijenata</b></div>
<div><span></span></div> <div>Odrasli muški ili ženski pacijent koji zahteva dijagnostičko snimanje i sliku usmerene terapije.</div>
<div><span></span></div> <div><b>Kontraindikacije</b></div>
<div><span></span></div> <div> <ul style="list-style-type: none"><li>Ne koristi se kod pacijenata preko 135 kg.</li> <li>Nije za pedijatrijsku upotrebu.</li></ul></div>
<div><span></span></div> <div><b>Upozorenja i mere opreza</b></div>
<div><span></span></div> <div> <ul style="list-style-type: none"><li>Pročitajte Uputstvo pre upotrebe.</li> <li>Uverite se da je pripremno čišćenje sprovedeno.</li> <li>Uverite se da je sprovedena pripremna provera proizvoda.</li> <li>Nemojte previše zatezati Leg i Foot Straps.</li> <li>Ne koristite kod pacijenata preko 135 kg.</li></ul></div>
<div><span></span></div> <div><b>Smernice za prijavu incidenata</b></div>
<div><span></span></div> <div>Za žalbe na proizvode i incidente, popunite formular na: <a href="http://www.adeptmedical.com/contact/service-and-repairs">www.adeptmedical.com/contact/service-and-repairs</a></div>

<div><span></span></div> <div><b>Informacije</b></div>
<div><span></span></div> <div><b>Namenjena svrha</b></div>
<div><span></span></div> <div>Da podrži i imobilise nogu pacijenta koji leži na leđima tokom endovaskularne hirurgije.</div>
<div><span></span></div> <div><b>Predviđeni korisnik/uslov za obuku</b></div>
<div><span></span></div> <div>Namenjen za upotrebu od strane obučenih medicinskih stručnjaka.</div>
<div><span></span></div> <div><b>Ciljna grupa pacijenata</b></div>
<div><span></span></div> <div>Odrasli muški ili ženski pacijent koji zahteva dijagnostičko snimanje i sliku usmerene terapije.</div>
<div><span></span></div> <div><b>Kontraindikacije</b></div>
<div><span></span></div> <div> <ul style="list-style-type: none"><li>Ne koristi se kod pacijenata preko 135 kg.</li> <li>Nije za pedijatrijsku upotrebu.</li></ul></div>
<div><span></span></div> <div><b>Upozorenja i mere opreza</b></div>
<div><span></span></div> <div> <ul style="list-style-type: none"><li>Pročitajte Uputstvo pre upotrebe.</li> <li>Uverite se da je pripremno čišćenje sprovedeno.</li> <li>Uverite se da je sprovedena pripremna provera proizvoda.</li> <li>Nemojte previše zatezati Leg i Foot Straps.</li> <li>Ne koristite kod pacijenata preko 135 kg.</li></ul></div>
<div><span></span></div> <div><b>Smernice za prijavu incidenata</b></div>
<div><span></span></div> <div>Za žalbe na proizvode i incidente, popunite formular na: <a href="http://www.adeptmedical.com/contact/service-and-repairs">www.adeptmedical.com/contact/service-and-repairs</a></div>

<div><span></span></div> <div><b>Informacije</b></div>
<div><span></span></div> <div><b>Namenjena svrha</b></div>
<div><span></span></div> <div>Da podrži i imobilise nogu pacijenta koji leži na leđima tokom endovaskularne hirurgije.</div>
<div><span></span></div> <div><b>Predviđeni korisnik/uslov za obuku</b></div>
<div><span></span></div> <div>Namenjen za upotrebu od strane obučenih medicinskih stručnjaka.</div>
<div><span></span></div> <div><b>Ciljna grupa pacijenata</b></div>
<div><span></span></div> <div>Odrasli muški ili ženski pacijent koji zahteva dijagnostičko snimanje i sliku usmerene terapije.</div>
<div><span></span></div> <div><b>Kontraindikacije</b></div>
<div><span></span></div> <div> <ul style="list-style-type: none"><li>Ne koristi se kod pacijenata preko 135 kg.</li> <li>Nije za pedijatrijsku upotrebu.</li></ul></div>
<div><span></span></div> <div><b>Upozorenja i mere opreza</b></div>
<div><span></span></div> <div> <ul style="list-style-type: none"><li>Pročitajte Uputstvo pre upotrebe.</li> <li>Uverite se da je pripremno čišćenje sprovedeno.</li> <li>Uverite se da je sprovedena pripremna provera proizvoda.</li> <li>Nemojte previše zatezati Leg i Foot Straps.</li> <li>Ne koristite kod pacijenata preko 135 kg.</li></ul></div>
<div><span></span></div> <div><b>Smernice za prijavu incidenata</b></div>
<div><span></span></div> <div>Za žalbe na proizvode i incidente, popunite formular na: <a href="http://www.adeptmedical.com/contact/service-and-repairs">www.adeptmedical.com/contact/service-and-repairs</a></div>

<div><span></span></div> <div><b>Informacije</b></div>
<div><span></span></div> <div><b>Namenjena svrha</b></div>
<div><span></span></div> <div>Da podrži i imobilise nogu pacijenta koji leži na leđima tokom endovaskularne hirurgije.</div>
<div><span></span></div> <div><b>Predviđeni korisnik/uslov za obuku</b></div>
<div><span></span></div> <div>Namenjen za upotrebu od strane obučenih medicinskih stručnjaka.</div>
<div><span></span></div> <div><b>Ciljna grupa pacijenata</b></div>
<div><span></span></div> <div>Odrasli muški ili ženski pacijent koji zahteva dijagnostičko snimanje i sliku usmerene terapije.</div>
<div><span></span></div> <div><b>Kontraindikacije</b></div>
<div><span></span></div> <div> <ul style="list-style-type: none"><li>Ne koristi se kod pacijenata preko 135 kg.</li> <li>Nije za pedijatrijsku upotrebu.</li></ul></div>
<div><span></span></div> <div><b>Upozorenja i mere opreza</b></div>
<div><span></span></div> <div> <ul style="list-style-type: none"><li>Pročitajte Uputstvo pre upotrebe.</li> <li>Uverite se da je pripremno čišćenje sprovedeno.</li> <li>Uverite se da je sprovedena pripremna provera proizvoda.</li> <li>Nemojte previše zatezati Leg i Foot Straps.</li> <li>Ne koristite kod pacijenata preko 135 kg.</li></ul></div>
<div><span></span></div> <div><b>Smernice za prijavu incidenata</b></div>
<div><span></span></div> <div>Za žalbe na proizvode i incidente, popunite formular na: <a href="http://www.adeptmedical.com/contact/service-and-repairs">www.adeptmedical.com/contact/service-and-repairs</a></div>

<div><span></span></div> <div><b>Informacije</b></div>
<div><span></span></div> <div><b>Namenjena svrha</b></div>
<div><span></span></div> <div>Da podrži i imobilise nogu pacijenta koji leži na leđima tokom endovaskularne hirurgije.</div>
<div><span></span></div> <div><b>Predviđeni korisnik/uslov za obuku</b></div>
<div><span></span></div> <div>Namenjen za upotrebu od strane obučenih medicinskih stručnjaka.</div>
<div><span></span></div> <div><b>Ciljna grupa pacijenata</b></div>
<div><span></span></div> <div>Odrasli muški ili ženski pacijent koji zahteva dijagnostičko snimanje i sliku usmerene terapije.</div>
<div><span></span></div> <div><b>Kontraindikacije</b></div>
<div><span></span></div> <div> <ul style="list-style-type: none"><li>Ne koristi se kod pacijenata preko 135 kg.</li> <li>Nije za pedijatrijsku upotrebu.</li></ul></div>
<div><span></span></div> <div><b>Upozorenja i mere opreza</b></div>
<div><span></span></div> <div> <ul style="list-style-type: none"><li>Pročitajte Uputstvo pre upotrebe.</li> <li>Uverite se da je pripremno čišćenje sprovedeno.</li> <li>Uverite se da je sprovedena pripremna provera proizvoda.</li> <li>Nemojte previše zatezati Leg i Foot Straps.</li> <li>Ne koristite kod pacijenata preko 135 kg.</li></ul></div>
<div><span></span></div> <div><b>Smernice za prijavu incidenata</b></div>
<div><span></span></div> <div>Za žalbe na proizvode i incidente, popunite formular na: <a href="http://www.adeptmedical.com/contact/service-and-repairs">www.adeptmedical.com/contact/service-and-repairs</a></div>

## Dezinfekcija

#### Upozorenja

- Nedovoljno čišćenje može ugroziti proces dezinfekcije i dovesti do prenošenja patogena.
- Nemojte koristiti dezinfekciona sredstva ili abrazivna/korozivna sredstva koja nisu na listi odobrenih sredstava za čišćenje.
- Uvek pročitajte uputstva proizvođača i pogledajte MSDS proizvođača za proizvode za čišćenje i dezinfekciju.
- Nemojte koristiti bilo kakvu proceduru čišćenja koja prelazi temperature 65°C/149°F.

#### Ograničenja obrade

Prekinite upotrebu ako su:

- Prisutne bilo kakve pukotine ili lomovi.
- Vidljiva bilo koja izložena karbonska vlakna.
- Foot Plate se ne uklapa bezbedno u osnovu Lower Leg Support.
- Bilo kakvo kidanje se primećuje na Leg Pad ili bilo koji od Straps.
- Kuka i omča na remenu za Leg/Foot Strap se ne zavravljuju dobro.
- Kopča na Table Strap se ne zakopčava bezbedno.

### Uputstva za dezinfekciju

#### Početni tretman na mestu upotrebe

Važno je očistiti proizvod nakon što se izvadi iz pakovanja i nakon svake procedure. Uverite se da su sve oblasti, uključujući spojeve, kopče, utičnice, držače i poluge, temeljno očišćene nakon upotrebe da biste uklonili sve naslage zagađivača koje mogu biti prisutne nakon procedure.

#### Priprema pre čišćenja

- Podloga za Lower Leg Support: Uklonite bazu sa dušeka.
- Foot Plate: Odvojite Foot Plate od osnove.
- Leg Pad: Uklonite podlogu sa osnove.
- Leg Strap: Otkopčajte kaiš, tj. uverite se da strane „kuke“ i „petlje“ nisu povezane.
- Foot Strap: Otkopčajte kaiš, tj. uverite se da strane „kuke“ i „petlje“ nisu povezane.
- Table Strap: Otkopčajte kopču na kaišu.

[www.adeptmedical.com/imaging-table-accessories/lower-leg-support/training?group=cleaning-instructions](http://www.adeptmedical.com/imaging-table-accessories/lower-leg-support/training?group=cleaning-instructions)

#### Čišćenje: Ručno

Osnova Lower Leg Support/Foot Plate

- Ako je vidljivo zaprljan isperite vodom.
- Ove komponente mogu biti potpuno potopljene u vodu.
- Po potrebi se može koristiti četka sa mekim vlaknima.
- Uverite se da je prijavština potpuno uklonjena.
- Uverite se da su sve komponente potpuno suve pre dezinfekcije.

Leg Pad/Leg Strap/Foot Strap/Table Strap

- Ako je vidljivo zaprljan isperite vodom.
- Ove komponente ne bi trebalo da budu potpuno uronjene u vodu.
- Po potrebi se može koristiti četka sa mekim vlaknima.
- Uverite se da je prljavština potpuno uklonjena.
- Uverite se da su sve komponente potpuno suve pre dezinfekcije.

#### Dezinfekcija

Pogledajte listu odobrenih sredstava za čišćenje za izbor odgovarajućeg sredstvo za dezinfekciju.

#### Lower Leg Support:

- Krpom navlaženom odobrenim dezinfekcionim sredstvom, obrišite sve površine, uključujući i unutrašnjost otvora za Foot Plate.

Foot Plate/Leg Pad/Leg Strap/Foot Strap i Table Strap:

- Krpom navlaženom odobrenim dezinfekcionim sredstvom obrišite sve površine.

## Lista odobrenih sredstva za čišćenje

#### Odobreno dezinfekciono sredstvo prema brendovima

#### Tečnosti:

ORION Laboratories - 70% izopropil alkohol
Jaychem Industries - 2% hlorheksidin / 70% alkohol
Betadine - povidon jod (7,5%)
BODE Chemie GmbH - Kohrsolin FF
STERIS - Sprej za pokrivanje TB
CaviCide - Metrex Research

#### Rastvorljivo:

Du Pont - Reli+On Virkon tablete

#### Površinske maramice:

PDI Sani-Cloth Bleach
PDI Sani-Cloth AF3
Reinard Health Supplies - Maramice za dezinfekciju površina
Metrex Research - CaviWipes
Clinell maramice - univerzalne (zelene)
Clorox maramice sa vodonik peroksidom

#### Odobreni aktivni sastojci za dezinfekciju

#### Na bazi kiseline:

≤10% jabučna kiselina CAS 6915-15-7

≤6% sulfaminska kiselina CAS 5329-14-6

#### Na bazi alkohola:

≤5% 2-butoksietanol CAS 111-76-2

≤10% butildiglikola CAS 112-34-5

≤70% izopropil alkohol (propan

	<b>Stránka</b>
<b>Návod na použitie</b>	<b>1</b>
<b>Registrácia produktu</b>	<b>2</b>
<b>Obsah</b>	<b>3</b>
<b>Vybalenie</b>	<b>4</b>
<b>Montáž</b>	<b>4</b>
<b>Nastavenie</b>	<b>4</b>
Dotiahnutie popruhov stola na imobilizáciu zariadenia	<b>5</b>
Odpojenie dosky Foot Plate	<b>7</b>
<b>Náhradné súčasti</b>	<b>7</b>
Kód produktu	<b>7</b>
Kódy súčastí	<b>7</b>
<b>Overenie tabuľky obrázkov</b>	<b>7</b>
Produkt bol posúdený z hľadiska rizika, že funguje v rámci nižšie uvedených špecifikácií	<b>7</b>
Zahnutie stola: +/- 15° laterálne a pozdĺžne	<b>7</b>
Povrch stola: Plochý	<b>7</b>
<b>Základné informácie</b>	<b>8</b>

#### Informácie

##### Účel použitia

Podpora a imobilizácia dolnej končatiny pacienta v polohe naznak počas endovaskulárnej operácie.

##### Cieľoví používatelia/požiadavky na školenie

Zariadenie je určené na používanie vyškoleným odborným zdravotníckym personálom.

##### Cieľová skupina pacientov

Dospelé ženy alebo muži, ktorí vyžadujú diagnostické zobrazovanie a obrazom navádzanú terapiu.

##### Kontraindikácie

- Zariadenie nie je určené na používanie s pacientmi s hmotnosťou vyššou než 135 kg.
- Zariadenie nie je určené na pediatrické použitie.

##### Varovania a upozornenia

- Pred začatím používania zariadenia si prečítajte návod na použitie.
- Dbajte na vykonanie prípravného čistenia.
- Nezabudnite na kontrolu prípravného čistenia.
- Popruhy Leg a Foot Strap nadmerne nedotahujte.
- Nepoužívajte v prípade pacientov s hmotnosťou vyššou než 135 kg.

##### Pokyny na oznamovanie incidentov

Ak sa vyskytnú stážnosti a incidenty týkajúce sa produktu, vyplňte formulár na adrese [www.adeptmedical.com/contact/service-and-repairs](http://www.adeptmedical.com/contact/service-and-repairs)

#### Úvodné kontroly a čistenie

##### Čistenie

Prečítajte si pokyny na dezinfekciu.

##### Kontroly produktu

- Žiadne narušenie povrchu uhlíkového vlákna.
- Žiadne viditeľné poškodenie ani ostré hrany (napríklad praskliny).
- Popruhy: overte, či nie sú poškodené (napríklad roztrhnuté).
- Table Strap: overte, či sa pracka dá ľahko zaistiť a odistiť.
- Table Strap: overte, či je popruh Table Strap riadne zaistený a správne umiestnený (strana 5).
- Foot/Leg Strap: overte, či sú popruhy riadne zaistené a správne umiestnené (strana 6).
- Foot Plate: Overte, či je doska Foot Plate správne umiestnená v otvore na dosku Foot Plate a riadne zaistená.

#### Dezinfekcia

##### Varovania

- Nedostatočné vyčistenie môže narušiť proces dezinfekcie a viesť k prenosu patogénov.
- Nepoužívajte žiadne dezinfekčné produkty ani abrazívne/korozívne prostriedky, ktoré nie sú uvedené v zozname schválených čistiacich prostriedkov.
- Vždy si prečítajte pokyny výrobcu a karty bezpečnostných údajov od výrobcu, ktoré sa týkajú čistiacich a dezinfekčných prostriedkov.
- Nepoužívajte žiadne čistiace postupy, pri ktorých teplota presahuje 65 °C/149 °F.

##### Obmedzenia spracovania

V nasledujúcich prípadoch prestaňte zariadenie používať:

- Prítomnosť prasklín alebo zlomenín.
- Viditeľnosť odhaleného uhlíkového vlákna.
- Doska Foot Plate nie je riadne upevnená v podstavci Lower Leg Support Base.
- Vložka Leg Pad alebo niektoré z popruhov sú roztrhnuté.
- Háčik a slučka na popruhu Leg/Foot Strap nie sú riadne upevnené.
- Pracka na popruhu Table Strap nie je riadne upevnená.

#### Pokyny na dezinfekciu

##### Úvodné spracovanie na mieste použitia

Je dôležité, aby ste produkt vyčistili po vybalení z obalu a po každej procedúre. Dbajte na to, aby ste po použití dôkladne vyčistili všetky oblasti vrátane spojov, svoriek, objímok, konzol a páčok a aby ste odstránili všetky nánosy kontaminantov, ktoré sa na zariadení po dokončení procedúry môžu nachádzať.

##### Príprava pred čistením

- Lower Leg Support Base: Odpojte produkt od matraca.
- Foot Plate: Odpojte dosku Foot Plate od podstavca.
- Leg Pad: Odpojte výplň od podstavca.
- Leg Strap: Odpojte popruh – rozpojte strany s háčikom a slučkou.
- Foot Strap: Odpojte popruh – rozpojte strany s háčikom a slučkou.
- Table Strap: Odpojte pracku na popruhu.

[www.adeptmedical.com/imaging-table-accessories/lower-leg-support/training?group=cleaning-instructions](http://www.adeptmedical.com/imaging-table-accessories/lower-leg-support/training?group=cleaning-instructions)

##### Čistenie: Manuálne

Podstavec Lower Leg Support/Foot Plate

- V prípade viditeľného znečistenia opláchnite komponenty vodou.
- Tieto komponenty je možné úplne ponoriť do vody.
- Na čistenie môžete podľa potreby použiť kefku s mäkkými štetinami.
- Dbajte na úplné odstránenie znečistenia.
- Pred začatím dezinfekcie dbajte na to, aby boli všetky komponenty úplne suché.

Leg Pad/Leg Strap/Foot Strap/Table Strap

- V prípade viditeľného znečistenia opláchnite komponenty vodou.
- Tieto komponenty by sa nemali úplne ponárať do vody.
- Na čistenie môžete podľa potreby použiť kefku s mäkkými štetinami.
- Dbajte na úplné odstránenie znečistenia.
- Pred začatím dezinfekcie dbajte na to, aby boli všetky komponenty úplne suché.

##### Dezinfekcia

Pred výberom vhodného dezinfekčného prostriedku si prečítajte zoznam schválených čistiacich prostriedkov.

Lower Leg Support:

- Handričkou navlhčenou vhodným dezinfekčným prostriedkom utrite všetky povrchy vrátane otvoru Foot Plate.

Foot Plate/Leg Pad/Leg Strap/Foot Strap a Table Strap:

- Handričkou navlhčenou schváleným dezinfekčným prostriedkom utrite všetky povrchy.

#### Zoznam schválených čistiacich prostriedkov

##### Schválené dezinfekčné prostriedky podľa značiek

##### Tekuté:

ORION Laboratories - 70 % izopropylalkohol

Jaychem Industries - 2 % chlórhexidín/70 % alkohol

Betadine - Jódový povidón (7,5 %)

BODE Chemie GmbH - Kohrsolin FF

STERIS - Coverage Spray TB

CaviCide - Metrex Research

##### Rozpustné:

Du Pont - Rely+On Virkon Tablets

##### Obrúsky na čistenie povrchov:

PDI Sani-Cloth Bleach

PDI Sani-Cloth AF3

Reynard Health Supplies

Surface Disinfectant Wipes

Metrex Research - CaviWipes

Clinell Wipes - Universal (zelená)

Clorox Hydrogen Peroxide Wipes

#### Schválené aktívne dezinfekčné látky

##### Na báze kyseliny:

≤ 10 % kyselina jablčná, CAS 6915-15-7

≤ 6 % kyselina sulfamová, CAS 5329-14-6

##### Na báze alkoholu:

≤ 5 % butoxyetanol, CAS 111-76-2

≤ 10 % butyl diglykol, CAS 112-34-5

≤ 70 % izopropylalkohol (propán-2-ol), CAS 67-63-0

≤ 10 % tridekanol, CAS 69011-36-5

< 10 % alkoholy C12-14, etoxylované, CAS 68439-50-9

≤ 70 % denaturovaný etanol (CAS 64-17-5)

##### Sulfátové:

≤ 0,1 % PHMB, CAS 27083-27-8

≤ 55 % peroxymonosulfát draselný, CAS 70693-62-8

≤ 3% persulfát draselný, CAS 7727-21-1

##### Na báze čpavku a chloridu:

≤ 5 % chlorid benzalkónia, CAS 68424-85-1

≤ 0,28 % chlorid benzetónia, CAS 121-54-0

≤ 10 % benzyl-C23-18-alkyl-dimetyl chlorid amónny, CAS 8001-54-5

≤ 2 % chlórhexidín, CAS 55-56-1

≤ 10 % didecyl dimetyl chlorid amónny, CAS 7173-51-5

≤ 0,5 % štvormocné zlúčeniny čpavku, CAS 68956-79-6

< 5 % benzyl-C 12-18 alkyldimetylamónne chloridy, CAS 63891-01-5

##### Iné:

≤ 10% glutaral, CAS 111-30-8

≤ 0,63 % chlórnan sodný, CAS 7681-52-9

≤ 7,5% jódový povidón, CAS 25655-41-8

0,5 % dipropionát kokoamfo disodný, CAS68604-71-7

≤ 1,4% peroxid vodíka, CAS 7722-84-1

Najnovší zoznam schválených čistiacich prostriedkov nájdete na adrese

[www.adeptmedical.com/resources](http://www.adeptmedical.com/resources)

##### Sušenie

Všetky komponenty musia byť pred použitím dôkladne vysušené.

##### Údržba, kontrola a testovanie

Lower Leg Support/Foot Plate:

- Žiadna viditeľnosť odhaleného uhlíkového vlákna.
- Žiadne viditeľné poškodenie ani ostré hrany (napríklad praskliny).
- Overte, či je doska Foot Plate riadne osadená do opierky Lower Leg Support.

Leg Pad:

- Žiadne viditeľné poškodenie ani roztrhnutie.

Foot Strap/Leg Strap:

- Žiadne viditeľné poškodenie ani roztrhnutie.
- Háčik a slučka by sa mali riadne spojiť.

Table Strap:

- Žiadne viditeľné poškodenie ani roztrhnutie.
- Pracka sa dá ľahko zaistiť a odistiť.

##### Balenie

Zariadenie po dezinfekcii nie je potrebné zabaliť.

##### Sterilizácia

Toto zariadenie nie je určené na sterilizáciu.

##### Skladovanie

Po dokončení dezinfekcie a vysušení všetkých komponentov je zariadenie potrebné uskladniť na suchom mieste.

#### Likvidácia

Použitý produkt predstavuje biologické riziko, likvidujte ho podľa pokynov uvádzaných v časti Pokyny na dezinfekciu a ak potrebujete špecifikácie materiálov, obráťte sa na výrobcu na adrese [adeptmedical@adept.co.nz](mailto:adeptmedical@adept.co.nz). Likvidáciu vykonávajte podľa interných pokynov kliniky a prihladajte na ustanovenia miestnych nariadení.

#### Závažné incidenty

Všetky závažné incidenty, ku ktorým dôjde v súvislosti s používaním zariadenia, je potrebné bezodkladne oznámiť:

- Kompetentnému úradu príslušného členského štátu.
- Výrobcovi použitím formulára na oznámenie závažného incidentu, ktorý nájdete na webovej lokalite spoločnosti Adept Medical: [www.adeptmedical.com/contact/serious-incident-reporting-form](http://www.adeptmedical.com/contact/serious-incident-reporting-form)

Pokyny uvedené vyššie boli schválené výrobcom zdravotníckeho zariadenia ako vhodné na prípravu zdravotníckeho zariadenia na opakované použitie. Zodpovednosťou spracovateľa je zaistiť, aby spracovanie použitím vybavenia, materiálov a personálu v zariadení na spracovanie dosiahlo požadovaný výsledok. To vyžaduje overenie alebo schválenie a bežné monitorovanie celého procesu.

Navštívte webovú stránku Adept Medical pre podrobné vizuálne pokyny k tomuto zariadeniu. [www.adeptmedical.com](http://www.adeptmedical.com)

	<b>Stran</b>
<b>Navodila za uporabo</b>	<b>1</b>
<b>Registracija izdelka</b>	<b>2</b>
<b>Vsebina</b>	<b>3</b>
<b>Razpakiranje</b>	<b>4</b>
<b>Sestavljanje</b>	<b>4</b>
<b>Nastavitvev</b>	<b>4</b>
Za imobilizacijo pripomočka zategnite trakove mize	<b>5</b>
Odstranjevanje nožne plošče (Foot Plate)	<b>7</b>
<b>Nadomestni deli</b>	<b>7</b>
Koda izdelka	<b>7</b>
Kode sestavnih delov	<b>7</b>
<b>Preverjanje mize za slikanje</b>	<b>7</b>
Izdelek je bil ocenjen glede tveganja za delovanje znotraj spodnjih specifikacij	<b>7</b>
Naklon mize: +/- 15° lateralno in vzdolžno	<b>7</b>
Površina mize: Ploska	<b>7</b>
<b>Ključne informacije</b>	<b>8</b>

<p><b>Informacije</b></p>
<p><b>Namenska uporaba</b></p> <p>Za podpiranje in imobilizacijo noge pacienta, ki leži na hrbtu, med endovaskularno kirurgijo.</p>
<p><b>Namenski uporabnik/zahteve glede usposabljanja</b></p> <p>Namenjeno za uporabo s strani usposobljenih medicinskih strokovnjakov.</p>
<p><b>Ciljna skupina pacientov</b></p> <p>Odrasli moški ali ženski pacienti, ki potrebujejo diagnostično slikanje in terapijo, vodeno s slikanjem.</p>
<p><b>Kontraindikacije</b></p> <ul style="list-style-type: none"><li>Ne za uporabo pri pacientih, katerih teža presega 135 kg.</li> <li>Ni namenjeno za pediatrično uporabo.</li></ul>

**Opozorila in previdnostni nasveti**

- Pred uporabo obvezno preberite navodila za uporabo.
- Zagotovite izvedbo predhodnega čiščenja.
- Zagotovite izvedbo predhodnega preverjanja izdelka.
- Trakov za noge in stopala (Leg & Foot Straps) ne zategujte preveč.
- Ne uporabljajte pri pacientih, katerih teža presega 135 kg.

**Smernice za poročanje o incidentih**

Za pritožbe in incidente, povezane z izdelkom, izpolnite obrazec na strani: [www.adeptmedical.com/contact/service-and-repairs](http://www.adeptmedical.com/contact/service-and-repairs)

## Začetni pregledi in čiščenje

**Čiščenje**

Glejte navodila za razkuževanje.

**Pregledi izdelka**

- Brez zlomov na površini karbonskih vlaken.
- Brez vidnih poškodb ali ostrih robov, npr. razpok.
- Trakovi: zagotovite, da niso prisotne poškodbe, npr. raztrganine.
- Trak za mizo (Table Strap): sponko je mogoče nemoteno v celoti vstaviti in odstraniti.
- Trak za mizo (Table Strap): zagotovite, da je trak za mizo (Table Strap) varno in pravilno nameščen (stran 5).
- Trak za stopala/hoge (Foot/Leg Strap): zagotovite, da so trakovi varno in pravilno nameščeni (stran 6).
- Nožna plošča (Foot Plate): Zagotovite, da je nožna plošča (Foot Plate) pravilno nameščena v režo nožne plošče (Foot Plate Slot) in povsem vstavljena.

## Razkuževanje

**Opozorila**

- Nezadostno čiščenje lahko ogrozi postopek razkuževanja in privede do prenosa patogenov.
- Ne uporabljajte razkužil ali abrazivnih/korozivnih sredstev, katerih ni na odobrenem seznamu čistil.
- Vedno preberite navodila proizvajalca in se glede čistilnih ter razkuževalnih izdelkov posvetujte s proizvajalci MSDS.
- Ne uporabljajte čistilnega postopka, pri katerem temperatura presega 65 °C/149 °F.

**Omejitve glede obdelave**

Prekinite v naslednjih primerih:

- Prisotne so kakršne koli razpoke ali zlomi.
- Vidna je kakršna koli izpostavljenost karbonskim vlaknom.
- Nožna plošča (Foot Plate) se ne prilega varno v spodnjo osnovo podpore za noge (Lower Leg Support Base).
- Opazili ste kakršne koli raztrganine na oblogi za noge (Leg Pad) ali katerih koli trakovih (Straps).
- Kavelj in zanka na traku za noge/stopala (Leg/Foot Strap) se ne priliegata varno.
- Zaponka na traku mize (Table Strap) se ne prilega varno.

## Navodila za razkuževanje

**Začetna obdelava na točki uporabe**

Pomembno je, da očistite izdelek, ko ga odstranite iz embalaže in po vsakem postopku. Zagotovite, da so vsa območja, vključno s spoji, sponkami, vtiči, nastavki in ročicami, temeljito očiščena po uporabi, da se odstrani vsa nabrana umazanija, ki bi lahko bila prisotna po postopku.

**Priprava pred čiščenjem**

- Spodnja osnova podpore za noge (Lower Leg Support Base): Odstranite osnovo z vzmetnice.
- Nožna plošča (Foot Plate): Snemite nožno ploščo (Foot Plate) z osnove (Base).
- Obloga za noge (Leg Pad): Odstranite oblogo z osnove (Base).
- Trak za noge (Leg Strap): Odpnite trak, tj. zagotovite, da strani »kavlja« in »zanke« nista povezani.
- Trak za stopala (Foot Strap): Odpnite trak, tj. zagotovite, da strani »kavlja« in »zanke« nista povezani.
- Trak za mizo (Table Strap): Odpnite zaponko na traku.

[www.adeptmedical.com/imaging-table-accessories/lower-leg-support/training?group=cleaning-instructions](http://www.adeptmedical.com/imaging-table-accessories/lower-leg-support/training?group=cleaning-instructions)

**Čiščenje: Ročno**

Spodnja osnova podpore za noge (Lower Leg Support Base)/nožna plošča (Foot Plate)

- V primeru vidne umazanije sperite z vodo.
- Te sestavne dele je mogoče povsem potopiti v vodo.
- Po potrebi lahko uporabite krtačo z mehкими ščetinami.
- Zagotovite, da je umazanija v celoti odstranjena.
- Zagotovite, da so vsi sestavni deli pred razkuževanjem v celoti posušeni.

Obloga za noge (Leg Pad)/trak za noge (Leg Strap)/trak za stopala (Foot Strap)/trak za mizo (Table Strap)

- V primeru vidne umazanije sperite z vodo.
- Teh sestavnih delov ni dovoljeno v celoti potopiti v vodo.
- Po potrebi lahko uporabite krtačo z mehкими ščetinami.
- Zagotovite, da je umazanija v celoti odstranjena.
- Zagotovite, da so vsi sestavni deli pred razkuževanjem v celoti posušeni.

**Razkuževanje**

Za izbiro primernega sredstva za razkuževanje glejte seznam odobrenih čistil.

Spodnja podpora za noge (Lower Leg Support):

- S krpo, ki je namočena z odobrenim razkužilom, obrišite vse površine, vključno z notranjostjo reže nožne plošče (Foot Plate).

Plošča za stopala (Foot Plate)/obloga za noge (Leg Pad)/trak za noge (Leg Strap)/trak za stopala (Foot Strap) in trak za mizo (Table Strap):

- S krpo, ki je namočena z odobrenim razkužilom, obrišite vse površine.

## Seznam odobrenih čistil

### Odobrena razkužila po blagovnih znamkah

**Teškočine:**

ORION Laboratories - 70-% izopropilni alkohol
Jaychem Industries - 2-% klorheksidin / 70-% alkohol
Betadine - povidon jodid (7,5 %)
BODE Chemie GmbH - Kohrsolin FF
STERIS - pokrivno razpršilo TB
CaviCide - Metrex Research

**Topljivo:**

Du Pont - tablete Rely+On Virkon

**Brisačke za površine:**

Krpa PDI Sani-Cloth, belilo
Krpa PDI Sani-Cloth AF3
Reynard Health Supplies - brisačke za razkuževanje površin
Metrex Research - CaviWipes
Brisačke Clinell - univerzalne (zelenе)
Brisačke z vodikovim peroksidom Clorox

### Odobrene aktivne sestavine razkužil

**Na osnovi kislin:**

≤10 % jabolčne kisline CAS 6915-15-7
≤6 % sulfaminske kisline CAS 5329-14-6

**Na osnovi alkohola:**

≤5 % 2-butoksietanola CAS 111-76-2
≤10 % butildiglikola CAS 112-34-5
≤70 % isopropil alkohola (propan-2-ol) CAS 67-63-0
≤10 % tridekanola CAS 69011-36-5
<10 % alkoholov, C12-14, etoksilirani CAS 68439-50-9
≤70 % denaturiranega etanola CAS 64-17-5

**Na osnovi sulfatov:**

≤0,1 % PHMB CAS 27083-27-8
≤55 % kalijevega peroksimonosulfata CAS 70693-62-8
≤3 % kalijevega persulfata CAS 7727-21-1

**Na osnovi amoniaka in klorida:**

≤5 % benzalkonijevega klorida CAS 68424-85-1
≤0,28 % benzetonijevega klorida CAS 121-54-0
≤10 % benzil-C23-18-alkil-dimetil amonijevega klorida CAS 8001-54-5
≤2 % klorheksidina CAS 55-56-1
≤10 % didecil dimetil amonijevega klorida CAS 7173-51-5
≤0,5 % kvarternih amonijevih spojin CAS 68956-79-6
<5 % benzil-C 12-18 alkildimetilamonijevih kloridov CAS 63891-01-5

**Drugo:**

≤10 % glutarala CAS 111-30-8
≤0,63 % natrijevega hipoklorita CAS 7681-52-9
≤7,5 % povidon jodida CAS 25655-41-8
0,5 % dinatrijevega kokoamfo dipropionata CAS 68604-71-7
≤1,4 % vodikovega peroksida CAS 7722-84-1

Do najnovejšega seznama odobrenih čistil dostopite prek [www.adeptmedical.com/resources](http://www.adeptmedical.com/resources)

**Sušenje**

Vse sestavne dele je pred uporabo treba temeljito posušiti.

**Vzdrževanje, pregled in testiranje**

Spodnja podpora za noge (Lower Leg Support)/nožna plošča (Foot Plate):

- Brez vidne izpostavljenosti kabonskim vlaknom.
- Brez vidnih poškodb ali ostrih robov, npr. razpok.
- Zagotovite, da se nožna plošča (Foot Plate) varno prilega v spodnjo podporo za noge (Lower Leg Support).

Obloga za noge (Leg Pad):

- Brez vidnih poškodb ali raztrganin.

Trak za stopala (Foot Strap)/trak za noge (Leg Strap):

- Brez vidnih poškodb ali raztrganin.
- Kavelj in zanka se morata varno pritrditi.

Trak za mizo (Table Strap):

- Brez vidnih poškodb ali raztrganin.
- Sponko je mogoče nemoteno v celoti vstaviti in odstraniti.

**Embalaža**

Po razkuževanju ni treba zapakirati pripomočka.

**Sterilizacija**

Ta pripomoček ne sme biti izpostavljen postopkom sterilizacije.

**Shranjevanje**

Ko je razkuževanje dokončano in so vsi sestavni deli suhi, je treba pripomoček shraniti v suhem okolju.

## Odstranjevanje

Uporabljen izdelek je biološko nevaren, očistite ga v skladu z navodili, ki so navedena v navodilih za razkuževanje, in se po potrebi glede specifikacij materiala obrnite na proizvajalca na naslovu [adeptmedical@adept.co.nz](mailto:adeptmedical@adept.co.nz). Odstranite v skladu z notranjo politiko klinike, ki upošteva lokalne predpise.

## Resni incidenti

Kakršen koli resen incident, ki se pojavi glede pripomočka, je treba takoj sporočiti:

- pristojnemu organu ustrezne države članice;
- proizvajalcu z uporabe obrazca za poročanje o resnih incidentih, ki ga najdete na spletni strani Adept Medical: [www.adeptmedical.com/contact/serious-incident-reporting-form](http://www.adeptmedical.com/contact/serious-incident-reporting-form)

Navodila, ki so navedena zgoraj, so bila s strani proizvajalca medicinskega pripomočka potrjena kot sposobna za pripravo medicinskega pripomočka za ponovno uporabo. V odgovornosti obdelovalca ostane zagotavljanje, da obdelava, ki je dejansko izvedena z uporabo opreme, materialov in osebja v obdelovalnem obratu, doseže želen rezultat. V ta namen je potrebno preverjanje in/ali potrjevanje ter rutinsko spremljanje postopka.

Obiščite spletno stran Adept Medical za podrobna vizualna navodila v zvezi s tem pripomočkom. [www.adeptmedical.com](http://www.adeptmedical.com)

	<b>Sida</b>
<b>Bruksanvisning</b>	<b>1</b>
<b>Produktregistrering</b>	<b>2</b>
<b>Innehåll</b>	<b>3</b>
<b>Uppackning</b>	<b>4</b>
<b>Montering</b>	<b>4</b>
<b>Konfiguration</b>	<b>4</b>
Åtdragning av bordsremmar för immobilisering av enhet.	<b>5</b>
Borttagning av Foot Plate	<b>7</b>
<b>Reservdelar</b>	<b>7</b>
Produktkod	<b>7</b>
Komponentkoder	<b>7</b>
<b>Verifiering av bildtabell</b>	<b>7</b>
Produkten har riskbedömts fungera inom nedanstående specifikationer	<b>7</b>
Bordsvinkel: +/-15° i sidled och på längden	<b>7</b>
Bordsyta: Plan	<b>7</b>
<b>Viktig information</b>	<b>8</b>

## Information

#### Avsett syfte

För att stödja och immobilisera en ryggliggande patients ben under endovaskulär kirurgi.

#### Avsedd användare/utbildningskrav

Avsedd att användas av utbildad vårdpersonal.

#### Patientmålgrupp

Vuxna manliga eller kvinnliga patienter som behöver diagnostisk röntgen och bildstyrd behandling.

#### Kontraindikationer

- Ska inte användas med patienter som väger över 135 kg.
- Inte för användning med barn.

#### Varningar och försiktighetsåtgärder

- Läs bruksanvisningen innan produkten används.
- Se till att förberedande rengöring utförs.
- Se till att en förberedande produktkontroll utförs.
- Dra inte åt Leg Straps och Foot Straps för hårt.
- Använd inte med patienter som väger mer än 135 kg.

#### Riktlinjer för incidentrapportering

Vid eventuella klagomål och incidenter, fyll i formuläret på [www.adeptmedical.com/contact/service-and-repairs](http://www.adeptmedical.com/contact/service-and-repairs)

### Initiala kontroller och rengöring

#### Rengöring

Se desinficeringsinstruktionerna.

#### Produktkontroller

- Inga brott i kolfiberytan.
- Inga synliga skador eller vassa kanter, t.ex. sprickor.
- Remmar: Se till att de inte har skador, t.ex. revor.
- Table Strap: Se till att spännet fungerar som det ska.
- Table Strap: Se till att Table Strap sitter fast och är korrekt placerat (sida 5).
- Foot Strap/Leg Strap: Se till att remmarna sitter fast och är korrekt placerade (sida 6).
- Foot Plate: Se till att Foot Plate är korrekt placerad i Foot Plate-spåret och sitter ordentligt fast.

### Desinficering

#### Varningar

- Otillräcklig rengöring kan äventyra desinficeringsprocessen och leda till sjukdomsoverföring.
- Använd inte desinficeringsprodukter eller slipande/frätande medel som inte finns med på listan över godkända rengöringsmedel.
- Läs alltid tillverkarens instruktioner och eventuella säkerhetsdatablad för rengörings- och desinficeringsprodukter.
- Använd inte någon rengöringsprocedur som överstiger 65 °C/149 °F.

#### Begränsningar vid bearbetning

Sluta använda produkten om:

- Sprickor eller skador förekommer.
- Exponerad kolfiber är synlig.
- Foot Plate inte sitter på plats i Lower Leg Support Base.
- Revor finns på Leg Pad eller någon av remmarna.
- Att krok och ögla på Leg Strap/Foot Strap inte hakar fast ordentligt.
- Spännet på Table Strap inte hakar fast ordentligt.

### Instruktioner för desinficering

#### Initial behandling vid användningstillfället

Det är viktigt att man rengör produkten när den plockats upp ur förpackningen och efter varje användningstillfälle. Säkerställ att alla ytor, inklusive leder, klämmor, uttag, fästen och spakar, rengörs ordentligt efter varje användningstillfälle för att avlägsna alla föroreningar som kan ha samlats efter en behandling.

#### Förberedelse före rengöring

- Lower Leg Support Base: Ta bort basen från madrassen.
- Foot Plate: Lossa Foot Plate från basen.
- Leg Pad: Ta bort vadderingen från basen.
- Leg Strap: Lossa remmen, dvs. se till att sidorna med "krok" och "ögla" inte är anslutna.
- Foot Strap: Lossa remmen, dvs. se till att sidorna med "krok" och "ögla" inte är anslutna.
- Table Strap: Lossa spännet på remmen.

[www.adeptmedical.com/imaging-table-accessories/lower-leg-support/training?group=cleaning-instructions](http://www.adeptmedical.com/imaging-table-accessories/lower-leg-support/training?group=cleaning-instructions)

#### Rengöring: Manuellt

Lower Leg Support Base/Foot Plate

- Skölj med vatten vid synlig smuts.
- Dessa komponenter kan sänkas ner helt i vatten.
- En borste med mjuka strån kan användas vid behov.
- Se till att smutsen avlägsnas.
- Se till att alla komponenter är helt torra före desinficering.

Leg Pad/Leg Strap/Foot Strap/Table Strap

- Skölj med vatten vid synlig smuts.
- Dessa komponenter ska inte sänkas ner helt i vatten.
- En borste med mjuka strån kan användas vid behov.
- Se till att smutsen avlägsnas.
- Se till att alla komponenter är helt torra före desinficering.

#### Desinficering

Se listan över godkända rengöringsmedel för ett urval av lämpliga rengöringsmedel.

Lower Leg Support:

- Använd en trasa fuktad med ett godkänt desinficeringsmedel och torka av alla ytor, inklusive insidan av Foot Plate-spåret.

Foot Plate/Leg Pad/Leg Strap/Foot Strap och Table Strap:

- Använd en trasa fuktad med ett godkänt desinficeringsmedel och torka av alla ytor.

### Lista över godkända rengöringsmedel

#### Godkända rengöringsmedel efter varumärke

#### Vätskor:

ORION Laboratories - 70 % isopropylalkohol
Jaychem Industries - 2 % klorhexidin/70 % alkohol
Betadine - Povidonjod (7,5 %)
BODE Chemie GmbH - Kohrsolin FF
STERIS - Coverage Spray TB
CaviCide - Metrex Research

#### Lösningsmedel:

Du Pont - Rely+On Virkon-tabletter

#### Desinfektionsservetter:

PDI Sani-Cloth Bleach
PDI Sani-Cloth AF3
Reynard Health Supplies - Surface Disinfectant Wipes
Metrex Research - Cavi Wipes
Clinell Wipes - Universal (grön)
Clorox väteperoxidsservetter

### Godkända aktiva ingredienser i desinfektionsmedel

#### Syrabaserade:

≤ 10 % äppelsyra CAS 6915-15-7
≤ 6 % sulfaminsyra CAS 5329-14-6

#### Alkoholbaserade:

≤ 5 % 2-butoxietanol CAS 111-76-2
≤ 10 % butylidiglykol CAS 112-34-5
≤ 70 % isopropylalkohol (propan-2-ol) CAS 67-63-0
≤ 10 % tridecanol CAS 69011-36-5
< 10 % alkohol, C12-14, etoxylerad CAS 68439-50-9
≤70 % denaturerad etanol CAS 64-17-5

#### Sulfatbaserade:

≤ 0,1 % PHMB CAS 27083-27-8
≤ 55 % kaliumperoxymonosulfat CAS 70693-62-8
≤ 3 % kaliumpersulfat CAS 7727-21-1

#### Ammonium- och klorbaserade:

≤ 5 % bensalkoniumklorid CAS 68424-85-1
≤ 0,28 % bensenonklorid CAS 121-54-0
≤ 10 % bensyl-C23-18-alkyl-dimetyl-ammoniumklorid CAS 8001-54-5
≤ 2 % klorhexidin CAS 55-56-1
≤ 10 % didecyldimetylammoniumklorid CAS 7173-51-5
≤ 0,5 % kvartära ammoniumföreningar CAS 68956-79-6
< 5 % bensyl-C-12-18-alkyldimetylammoniumklorider CAS 63891-01-5

#### Övriga:

≤ 10 % Glutaral CAS 111-30-8
≤ 0,63 % natriumhypoklorit CAS 7681-52-9
≤ 7,5 % povidonjod CAS 25655-41-8
0,5 % dinatrium kokoamfodipropionat CAS 68604-71-7
≤1,4 % väteperoxid CAS 7722-84-1

Få tillgång till den senaste listan över godkända rengöringsmedel via [www.adeptmedical.com/resources](http://www.adeptmedical.com/resources)

#### Torkning

Alla komponenter ska torkas ordentligt före användning.

#### Underhåll, besiktning och testning

Lower Leg Support/Foot Plate:

- Att ingen exponerad kolfiber är synlig.
- Inga synliga skador eller vassa kanter, t.ex. sprickor.
- Se till att Foot Plate passar i Lower Leg Support på ett bra sätt.

Leg Pad:

- Ingen synlig skada eller revor.

Foot Strap/Leg Strap:

- Ingen synlig skada eller revor.
- Krok och ögla ska sitta ordentligt på plats.

Table Strap:

- Ingen synlig skada eller revor.
- Spännet ska sitta fast och kunna lossas utan problem.

#### Förpackning

Enheten behöver inte förpackas efter desinficering.

#### Sterilisering

Enheten bör inte utsättas för steriliseringsprocesser.

#### Förvaring

När desinficering har slutförts och alla komponenter är torra ska enheten förvaras i en torr miljö.

### Kassering

Använd produkt klassas som en biologisk risk och ska saneras enligt instruktionerna för desinficering. Om du behöver mer information om produktens material kan du kontakta tillverkaren på [adeptmedical@adept.co.nz](mailto:adeptmedical@adept.co.nz). Kasseras enligt interna klinikregler med hänsyn till lokala förordningar.

### Allvarliga incidenter

Alla allvarliga händelser som inträffar i samband med enheten ska rapporteras omedelbart till:

- Den behöriga myndigheten i den tillämpliga medlemsstaten.
- Tillverkaren använder formuläret för allvarlig incidentrapportering på Adept Medicals webbplats: [www.adeptmedical.com/contact/serious-incident-reporting-form](http://www.adeptmedical.com/contact/serious-incident-reporting-form)

Instruktionerna ovan har verifierats av den medicintekniska produktens tillverkare som lämpliga för förberedelse av en medicinteknisk produkt för återanvändning. Personen som utför bearbetningen ansvarar alltid för att säkerställa att bearbetningen, så som den faktiskt utförs med hjälp av utrustning, material och personal på bearbetningsanläggningen, uppnår önskade resultat. Detta kräver verifiering och/eller godkännande och en rutinmässig övervakning av processen.

Besök Adept Medicals webbplats för detaljerade visuella instruktioner gällande den här enheten. [www.adeptmedical.com](http://www.adeptmedical.com)

	<b>Sayfa</b>
<b>Kullanım Talimatları</b>	<b>1</b>
<b>Ürün Kaydı</b>	<b>2</b>
<b>İçindekiler</b>	<b>3</b>
<b>Kutudan Çıkarma</b>	<b>4</b>
<b>Montaj</b>	<b>4</b>
<b>Kurulum</b>	<b>4</b>
Cihaz immobilizasyonu için table strap kısmının sıkılması	<b>5</b>
Foot Plate Kısmının Çıkarılması	<b>7</b>
<b>Yedek Parçalar</b>	<b>7</b>
Ürün Kodu	<b>7</b>
Bileşen Kodları	<b>7</b>
<b>Görüntü Tablosu Doğrulaması</b>	<b>7</b>
Ürün, aşağıdaki özellikler dahilinde çalışacak şekilde risk değerlendirmesine tabi tutulmuştur	<b>7</b>
Masa Açılımı: +/- 15° yanal ve boylamasına	<b>7</b>
Masa Yüzeyi: Düz	<b>7</b>
<b>Temel Bilgiler</b>	<b>8</b>

<b>Bilgi</b>
<b>Kullanım Amacı</b> <p>Endovasküler cerrahi sırasında sırtüstü yatan bir hastanın bacağını desteklemek ve hareketsiz hale getirmek için.</p>
<b>Amaçlanan Kullanıcı/Eğitim Gereksinimi</b> <p>Eğitimli tıp uzmanları tarafından kullanılması amaçlanmıştır.</p>
<b>Hasta Hedef Grubu</b> <p>Tanısal görüntüleme ve görüntü kılavuzluğunda tedavi gerektiren yetişkin erkek veya kadın hasta.</p>
<b>Kontrendikasyonlar</b> <ul style="list-style-type: none"><li>135 kg üzerindeki hastalarda kullanılmamalıdır.</li> <li>Pediyatrik kullanım için değildir.</li></ul>
<b>Uyarılar ve İkazlar</b> <ul style="list-style-type: none"><li>Kullanmadan önce Kullanıcı Talimatlarının okunduğundan emin olun.</li> <li>Hazırlık Temizliğinin yapıldığından emin olun.</li> <li>Hazırlık Ürün Kontrolünün yapıldığından emin olun.</li> <li>Leg &amp; Foot Straps kısımlarını aşırı sıkmayın.</li> <li>135 kg üzerindeki hastalarda kullanmayın.</li></ul>

**Olay Raporlama Yönergeleri**
Ürün şikayetleri ve olaylar için Lütfen aşağıdaki formu doldurun:
www.adeptmedical.com/contact/service-and-repairs

#### İlk Kontroller ve Temizlik

**Temizlik**
Dezenfeksiyon Talimatlarına bakın.

**Ürün Kontrolleri**

- Karbon Fiber yüzeyde kırılma bulunmamalıdır.
- Çatlaklar gibi görünür hasar veya keskin kenarlar bulunmamalıdır.
- Straps: yırtılma gibi herhangi bir hasar olmadığından emin olun.
- Table Strap: Tokanın sorunsuz bir şekilde tam olarak takılıp çıkarılabildiğinden emin olun.
- Table Strap: Table Strap kısmının doğru şekilde yerleştirildiğinden ve doğru yerleştirildiğinden emin olun (sayfa 5).
- Foot/Leg Strap: Strap kısmının doğru şekilde yerleştirildiğinden ve tam olarak oturduğundan emin olun (sayfa 6).
- Foot Plate: Foot Plate kısmının Foot Plate Slot kısmına doğru yerleştirildiğinden ve tam olarak oturduğundan emin olun.

<b>Dezenfeksiyon</b>
----------------------

**Uyarılar**

- Yetersiz temizlik dezenfeksiyon sürecini tehlikeye atabilir ve patojenlerin bulaşmasına yol açabilir.
- Onaylı temizleyiciler listesinde bulunmayan hiçbir dezenfektan ürünü veya aşındırıcı/korozif madde kullanmayın.
- Her zaman üreticinin talimatlarını okuyun ve temizlik ve dezenfektan ürünleri için üreticinin Malzeme Güvenliği Veri Sayfası'na başvurun.
- 65°C/149°F'yi aşan herhangi bir temizlik prosedürü kullanmayın.

**Çalışma ile İlgili Sınırlamalar**
Aşağıdaki durumlarda kullanmayı bırakın:

- Herhangi bir çatlak veya yırtılma mevcutsa.
- Açıkta kalmış Karbon Fiber görünüyorsa.
- Foot Plate Lower Leg Support Base kısmına güvenli bir şekilde oturmuyor.
- Leg Pad veya Straps kısımlarında herhangi birinde yırtılma gözleniyor.
- Leg/Foot Strap kısmındaki kanca ve halka güvenli bir şekilde yerine oturmuyor.
- Table Strap üzerindeki toka güvenli bir şekilde yerine oturmuyor.

#### Dezenfeksiyon Talimatları

**Kullanım Noktasında İlk İşlem**
Ürünün ambalajından çıkarıldıktan sonra ve her prosedürden sonra temizlenmesi önemlidir. Bir prosedürün ardından mevcut olabilecek tüm kirletici birikimini gidermek için kullanımdan sonra bağlantılar, klipsler, soketler, braketler ve kollar dahil olmak üzere tüm alanların iyice temizlendiğinden emin olun.

**Temizlik Öncesi Hazırlık**

- Lower Leg Support Base: Base kısmını yataktan çıkarın.
- Foot Plate: Foot Plate kısmını Base kısmından ayırın.
- Leg Pad: Dolguyu Base kısmından çıkarın.
- Leg Strap: Strap kısmını çözün, yani "kanca" ve "halka" taraflarının bağlı olmadığından emin olun.
- Foot Strap: Strap kısmını çözün, yani "kanca" ve "halka" taraflarının bağlı olmadığından emin olun.
- Table Strap: Strap üzerindeki tokayı çözün.

www.adeptmedical.com/imaging-table-accessories/lower-leg-support/training?group=cleaning-instructions

**Temizlik: Manuel**
Lower Leg Support Base/Foot Plate

- Gözle görülür şekilde kirlenmişse su ile durulayın.
- Bu bileşenler tamamen suya batırılabilir.
- Gerekirse yumuşak kıllı bir fırça kullanılabilir.
- Kirliliğin tamamen giderildiğinden emin olun.
- Dezenfeksiyondan önce tüm bileşenlerin tamamen kuru olduğundan emin olun.

Leg Pad/Leg Strap/Foot Strap/Table Strap

- Gözle görölür şekilde kirlenmişse su ile durulayın.
- Bu bileşenler tamamen suya daldırılmamalıdır.
- Gerekirse yumuşak kıllı bir fırça kullanılabilir.
- Kirliliğin tamamen giderildiğinden emin olun.
- Dezenfeksiyondan önce tüm bileşenlerin tamamen kuru olduğundan emin olun.

**Dezenfeksiyon**
Uygun bir temizleyici seçimi için Onaylı Temizleyiciler Listesine bakın.

Lower Leg Support:

- Onaylı bir dezenfektanla nemlendirilmiş bir bezle, Foot Plate yuvasının içi de dahil olmak üzere tüm yüzeyleri silin.

Foot Plate/Leg Pad/Leg Strap/Foot Strap ve Table Strap:

- Onaylı bir dezenfektanla nemlendirilmiş bir bezle tüm yüzeyleri silin.

##### Onaylı Temizleyiciler Listesi

##### Markalara Göre Onaylı Dezenfektan

**Sıvılar:**
ORION Laboratories - %70 İzopropil Alkol
Jaychem Industries - %2 Klorheksidin / %70 Alkol
Betadine - Povidon İyot (%7,5)
BODE Chemie GmbH - Kohrsolin FF
STERIS - Coverage Spray TB
CaviCide - Metrex Research

**Çözünebilir:**
Du Pont - Rely+On Virkon Tabletler

**Yüzey Mendilleri:**
PDI Sani-Cloth Bleach
PDI Sani-Cloth AF3
Reynard Sağlık Malzemeleri - Yüzey Dezenfektan Mendilleri
Metrex Research - CaviWİpes
Clinell Wİpes - Universal (Yeşil)
Clorox Hidrojen Peroksitli Mendil

##### Onaylı Aktif Dezenfektan Bileşenleri

**Asit Bazlı:**
≤%10 Malik Asit CAS 6915-15-7
≤%6 Sülfamik asit CAS 5329-14-6

**Alkol Bazlı:**
≤%5 2-Butoksietanol CAS 111-76-2
≤%10 Butildiglikol CAS 112-34-5
≤%70 İzopropil Alkol (Propan-2-ol) CAS 67-63-0
≤%10 Tridecanol CAS 69011-36-5
<%10 Alkoller, C12-14, etoksillenmiş CAS 68439-50-9
≤%70 Denatüre Etanol CAS 64-17-5

**Sülfat Bazlı:**
≤%0,1 PHMB CAS 27083-27-8
≤%55 Potasyum Peroksimonosülfat CAS 70693-62-8
≤%3 Potasyum Persülfat CAS 7727-21-1

**Amonyum ve Klorür Bazlı:**
≤%5 Benzalkonyum Klorür CAS 68424-85-1
≤%0,28 Bensitonyum Klorür CAS 121-54-0
≤%10 Benzil-C23-18-Alkil-dimetil Amonyum Klorür CAS 8001-54-5
≤%2 Klorheksidin CAS 55-56-1
≤%10 Didesil Dimetil Amonyum klorür CAS 7173-51-5
≤%0,5 Kuaterner Amonyum Bileşikleri CAS 68956-79-6
<%5 Benzil-C 12-18 alkildimetilamonyum klorürler CAS 63891-01-5

**Diğerleri:**
≤%10 Glutaral CAS 111-30-8
≤%0,63 Sodyum Hipoklorit CAS 7681-52-9
≤%7,5 Povidon İyot CAS 25655-41-8
%0,5 Disodyum Cocoampho Dipropiyonat CAS 68604-71-7
≤%1,4 Hidrojen peroksit CAS 7722-84-1

En son Onaylı Temizleyiciler listesine şu adresten erişin
www.adeptmedical.com/resources

**Kurutma**
Kullanmadan önce tüm bileşenler iyice kurutulmalıdır.

**Bakım, Muayene ve Test**
Lower Leg Support/Foot Plate:

- Açıkta Karbon Fiber görünmediğinden emin olun.
- Çatlaklar gibi görünür hasar veya keskin kenarlar bulunmamalıdır.
- Foot Plate kısmının Lower Leg Support kısmına sıkıca oturduğundan emin olun.

Leg Pad:

- Görünür hasar veya yırtılma olmadığından emin olun.

Foot Strap/Leg Strap:

- Görünür hasar veya yırtılma olmadığından emin olun.
- Kanca ve halka güvenli bir şekilde takılmalıdır.

Table Strap:

- Görünür hasar veya yırtılma olmadığından emin olun.
- Toka sorunsuz bir şekilde tam olarak devreye girip çıkabilir.

**Paketleme**
Dezenfeksiyon sonrasında cihazın paketlenmesi gerekli değildir.

**Sterilizasyon**
Bu cihaz sterilizasyon işlemlerine tabi tutulmamalıdır.

**Depolama**
Dezenfeksiyon tamamlandıktan ve tüm bileşenler kuruduktan sonra cihaz kuru bir ortamda saklanmalıdır.

#### İmha etme

Kullanılmış ürün bir biyolojik tehlikedir, Dezenfeksiyon Talimatlarında verilen talimatlara göre dekontamine edin ve gerekirse malzeme özellikleri için adeptmedical@adept.co.nz adresinden üreticiye ulaşın. Yerel yönetmelikleri dikkate alarak klinik içi politikaya göre imha edin.

#### Ciddi Olaylar

Cihazla ilgili olarak meydana gelen herhangi bir ciddi olay derhal aşağıdakilere bildirilmelidir:

- İlgili Üye Devletin Yetkili Makamına.
- Üretici, Adept Medical Web Sitesinde bulunan Ciddi Olay Raporlama Formunu kullanır: www.adeptmedical.com/contact/serious-incident-reporting-form

Yukarıda verilen talimatlar tıbbi cihaz üreticisi tarafından bir tıbbi cihazı yeniden kullanıma hazırlama kapasitesine sahip olarak onaylanmıştır. Kullanıldığı tesisdeki ekipman, malzeme ve personel kullanılarak fiilen gerçekleştirilen işlemin istenen sonucu vermesini sağlamak işlemcinin sorumluluğundadır. Bu, doğrulama ve/veya onaylama ve sürecin rutin olarak izlenmesini gerektirir.

Bu cihazla ilgili ayrıntılı görsel talimatlar için Adept Medical web sitesini ziyaret edin.
www.adeptmedical.com



Medical  
Supporting you

