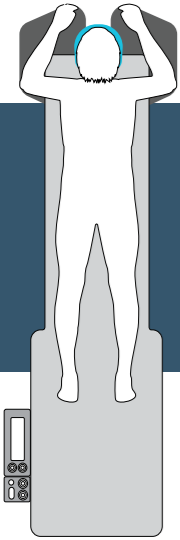


# PRONE SUPPORT

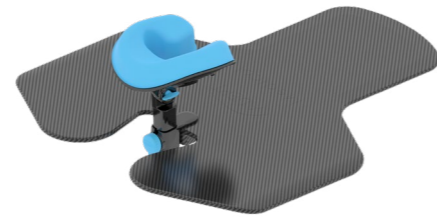
For enhanced patient management and comfort.

## PRONE SUPPORT

For enhanced patient management and comfort.



The ideal solution for supporting and managing a prone patient, it provides comfortable patient positioning during image-guided procedures.



This versatile device will support a patient in the prone position for multiple procedure types.



### Patient Positioning

The two-part support provides optimal patient comfort and procedural management, supporting both the arms and face.

The arm supporting surface is cantilevered out from the imaging table, accommodating a variety of patient sizes and mobility ranges comfortably. The arms can be positioned according to individual patient shoulder mobility or procedural needs.



The elevated cushioned face support provides additional comfort with ample space beneath for conscious patients. The head supporting assembly can also be removed completely to suit specific patient or case needs.



### Placement and Adjustment

The Prone Support can be simply placed underneath the mattress using the baseboard design, allowing for efficient set-up and removal on any imaging table. It is stably held for the duration of procedure by the patient's weight. The support design is compatible with most C-Arm imaging centres and tables.



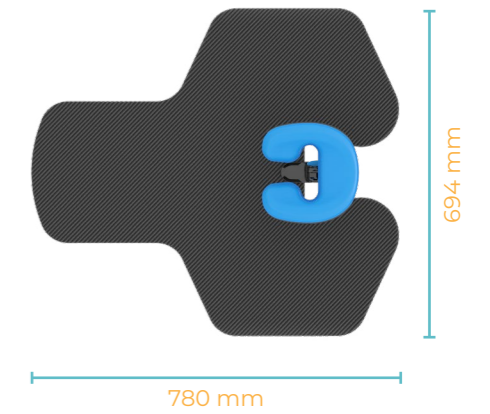
The face support can be height and angular adjusted using the lever lock and thumbscrew, allowing suitability for a range of patient and procedural requirements.



### Key Features and Benefits

- | Radiolucent
- | Height and angle adjustment of head support
- | Cushioned face support
- | Versatile arm positions
- | Suits range of patient sizes
- | Quick placement and set-up
- | Suits C-arm tables

### Specifications



 Prone Support  
2.2 kg

Contact us for further details  
adeptmedical@adept.co.nz

## Applications

- Percutaneous Nephrostomy Insertion
- Renal and lung biopsy
- Vertebroplasty / Kyphoplasty
- Percutaneous embolization of sciatic nerve
- Myelogram
- Discogram



## Fields you can use this device



Interventional  
Radiology



**Manufacturer**  
Adept Medical Ltd  
2-6 McDonald St,  
Morningside  
Auckland 1025, New Zealand